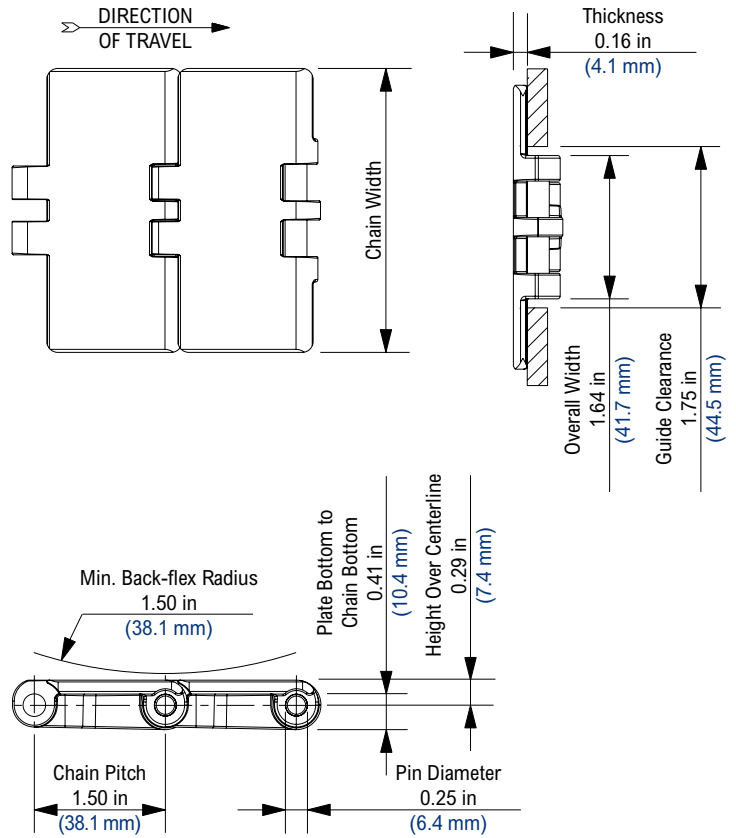


Photo shows 820 TableTop Chain molded in Low Friction (LF) material.



Chain Information

Chain Width			Min. Side-flex Radius		Approximate Weight	
desc	in	mm	in	mm	lbs/ft	kg/m
3 1/4	3.25	82.6	-	-	0.56	0.83
4	4.00	101.6	-	-	0.64	0.95
4 1/2	4.50	114.3	-	-	0.69	1.03
6	6.00	152.4	-	-	0.84	1.25
7 1/2	7.50	190.5	-	-	0.99	1.48

Available Materials

Prefix	Chain Material	Standard Pin Material	Temperature						Chain Strength		FDA Approval
			Fahrenheit			Celsius			lbs	N	
			min	max dry	max wet	min	max dry	max wet			
Standard Materials											
D	Plain Acetal	Stainless Steel	-40	180	150	-40	82	66	365	1,624	Yes
Dry-PT™	Dry PET Low Friction	Stainless Steel	-40	180	150	-40	82	66	365	1,624	Yes
HP	High Performance	Stainless Steel	-40	180	150	-40	82	66	365	1,624	Yes
LF	Low Friction	Stainless Steel	-40	180	150	-40	82	66	365	1,624	Yes
MLF	Medium Duty Low Friction	Stainless Steel	-40	180	150	-40	82	66	365	1,624	Yes
P	Chemical Resistant	Stainless Steel	0	180	140	-18	82	60	292	1,299	Yes
PSX	Platinum Series X	Stainless Steel	-40	180	150	-40	82	66	365	1,624	Yes
Non-Standard Materials											
AS	Anti-Static	Stainless Steel	0	180	NR	-18	82	NR	219	974	No
BWR	Black Wear Resistant	Stainless Steel	-40	180	NR	-40	82	NR	438	1,948	No
CR	Extreme Chemical Resistant	Stainless Steel	40	240	212	4	116	100	292	1,299	Yes
DKA	Abrasion Resistant Composite	Stainless Steel	0	180	150	-18	82	66	365	1,624	Yes
DUV	Plain Acetal Ultraviolet Resistant	Stainless Steel	0	180	150	-18	82	66	365	1,624	No
FR	Flame Retardant	Stainless Steel	0	180	140	-18	82	60	219	974	No
HS	Heat Stabilized	Stainless Steel	-40	220	212	-40	104	100	365	1,624	No
MR	Melt Resistant	Stainless Steel	-80	220	NR	-62	104	NR	365	1,624	No
PS	Platinum Series	Stainless Steel	-40	180	150	-40	82	66	365	1,624	Yes
WD	White Plain Acetal	Stainless Steel	-40	180	150	-40	82	66	365	1,624	Yes
WHP	White High Performance	Stainless Steel	-40	180	150	-40	82	66	365	1,624	Yes
WLF	White Low Friction	Stainless Steel	-40	180	150	-40	82	66	365	1,624	Yes
WX	Green Abrasion Resistant Polyamide	Stainless Steel	-40	220	NR	-40	104	NR	365	1,624	No

Regulatory Information

The Food and Drug Administration (FDA) accepts certain materials for direct food contact. FDA approved material is compliant to FDA 21 CFR § 177.
 Rexnord, TableTop, Dry-PT, Platinum Series, Platinum Series X, HP, PS and PSX are trademarks of Rexnord Corporation.
 All rights reserved.

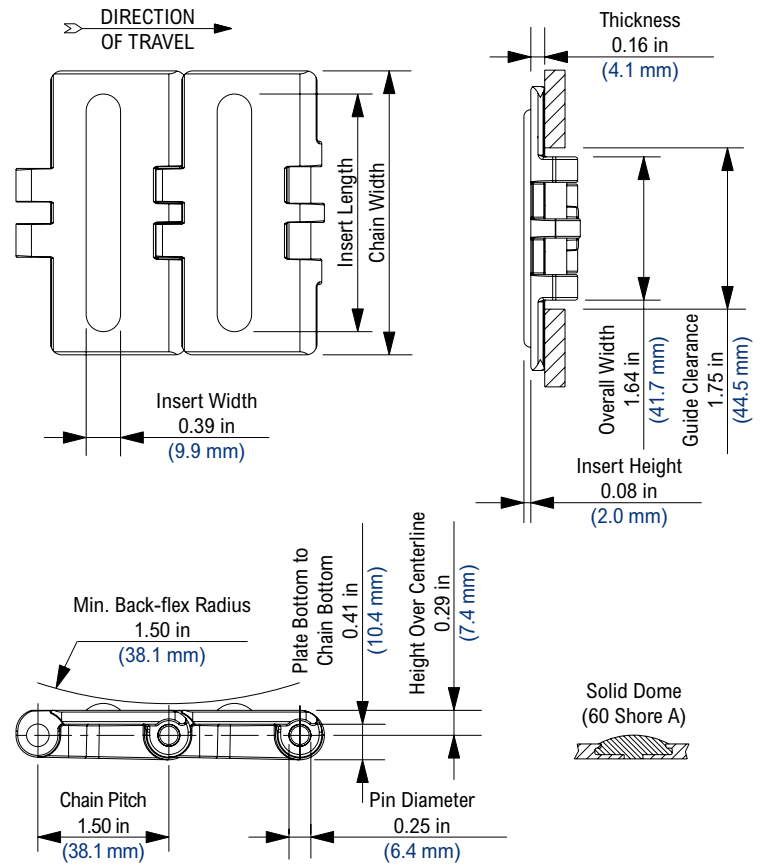
Additional Notes

Non-Standard products are non-returnable. Minimum order quantity and additional setup charges may also apply.
 Stocked in 80 pitch, 10 ft (3.048 m) length strands.
 Thermoplastic pins are available on a made-to-order basis.
 Chain strength is listed at room temperature. NR = Not Recommended.
 For additional material information, see material portfolio.

820 RubberTop



Photo shows 820 RubberTop TableTop Chain molded in High Performance (HP) material with High Friction Inserts.



Chain Information

desc	Chain Width		Min. Side-flex Radius		Approximate Weight	
	in	mm	in	mm	lbs/ft	kg/m
3 1/4	3.25	82.6	2.56	65.0	0.56	0.83
4 1/2	4.50	114.3	3.83	97.3	0.69	1.03
6	6.00	152.4	5.32	135.1	0.84	1.25

Available Materials

Prefix	Chain Material	Standard Pin Material	Temperature						Chain Strength		FDA Approval
			Fahrenheit			Celsius					
			min	max		min	max		lbs	N	
			dry	wet		dry	wet				
Standard Materials											
HP	High Performance	Stainless Steel	-40	180	150	-40	82	66	365	1,624	Yes

Regulatory Information

The Food and Drug Administration (FDA) accepts certain materials for direct food contact. FDA approved material is compliant to FDA 21 CFR § 177.

Rexnord, TableTop and HP are trademarks of Rexnord Corporation.

All rights reserved.

Additional Notes

Stocked in 80 pitch, 10 ft (3.048 m) length strands.

Thermoplastic pins are available on a made-to-order basis.

Inserts may be spaced every pitch, every second pitch, etc.

Chain strength is listed at room temperature. NR = Not Recommended.

For additional material information, see material portfolio.

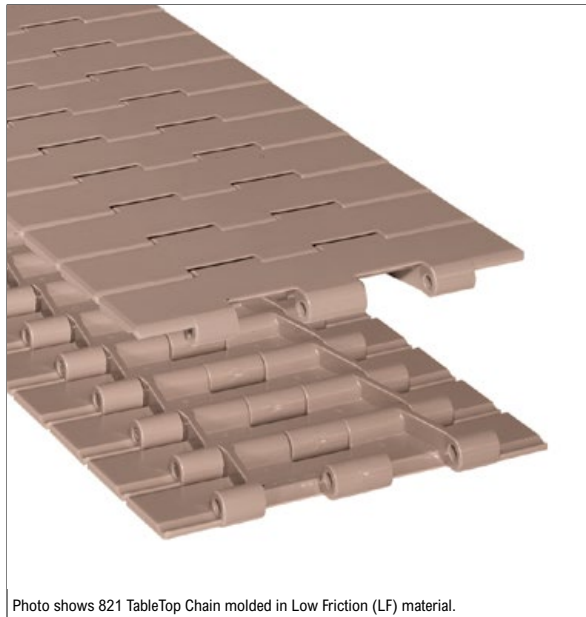
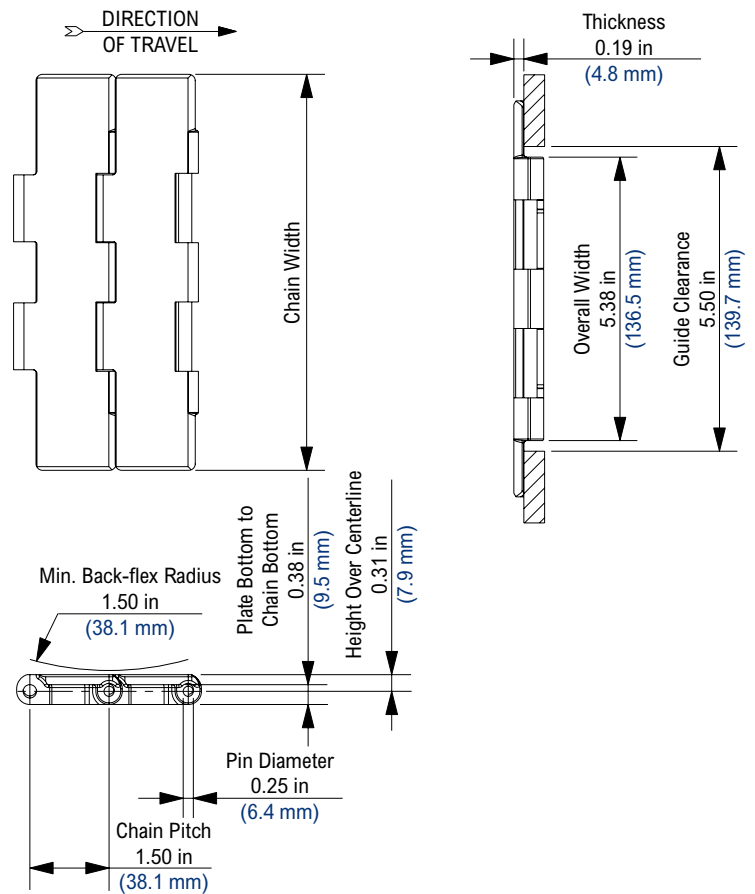


Photo shows 821 TableTop Chain molded in Low Friction (LF) material.

Chain Information

Chain Width desc	Chain Width		Min. Side-flex Radius		Approximate Weight	
	in	mm	in	mm	lbs/ft	kg/m
7 1/2	7.50	190.5	-	-	1.70	2.53
10	10.00	254.0	-	-	2.00	2.98
12	12.00	304.8	-	-	2.20	3.28



Available Materials

Prefix	Chain Material	Standard Pin Material	Temperature						Chain Strength		FDA Approval
			Fahrenheit			Celsius					
			min	max		min	max		lbs	N	
			dry	wet		dry	wet				
Standard Materials											
D	Plain Acetal	Stainless Steel	-40	180	150	-40	82	66	625	2,780	Yes
HP	High Performance	Stainless Steel	-40	180	150	-40	82	66	625	2,780	Yes
LF	Low Friction	Stainless Steel	-40	180	150	-40	82	66	625	2,780	Yes
MLF	Medium Duty Low Friction	Stainless Steel	-40	180	150	-40	82	66	625	2,780	Yes
PSX	Platinum Series X	Stainless Steel	-40	180	150	-40	82	66	625	2,780	Yes
Non-Standard Materials											
AS	Anti-Static	Stainless Steel	0	180	NR	-18	82	NR	375	1,668	No
BWR	Black Wear Resistant	Stainless Steel	-40	180	NR	-40	82	NR	750	3,336	No
DKA	Abrasion Resistant Composite	Stainless Steel	0	180	150	-18	82	66	625	2,780	Yes
WHP	White High Performance	Stainless Steel	-40	180	150	-40	82	66	625	2,780	Yes
WX	Green Abrasion Resistant Polyamide	Stainless Steel	-40	220	NR	-40	104	NR	625	2,780	No

Regulatory Information

The Food and Drug Administration (FDA) accepts certain materials for direct food contact. FDA approved material is compliant to FDA 21 CFR § 177.

Rexnord, TableTop, Platinum Series X, HP and PSX are trademarks of Rexnord Corporation.

All rights reserved.

Additional Notes

Non-Standard products are non-returnable. Minimum order quantity and additional setup charges may also apply.

Stocked in 80 pitch, 10 ft (3.048 m) length strands.

Thermoplastic pins are available on a made-to-order basis.

Chain strength is listed at room temperature. NR = Not Recommended.

For additional material information, see material portfolio.

821 SuperGrip

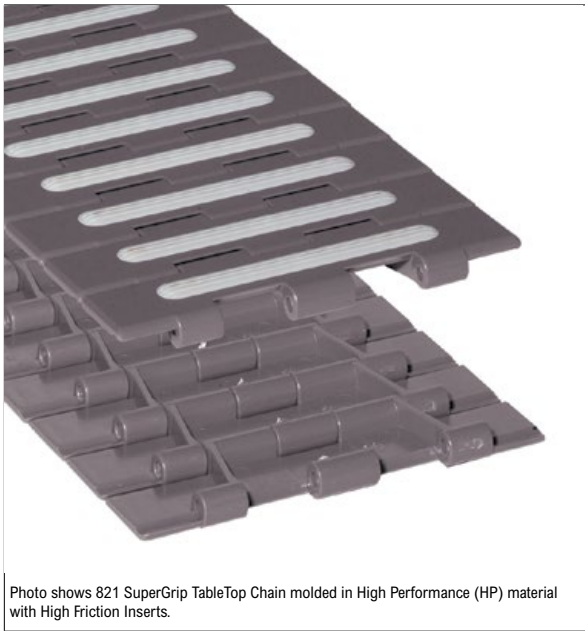
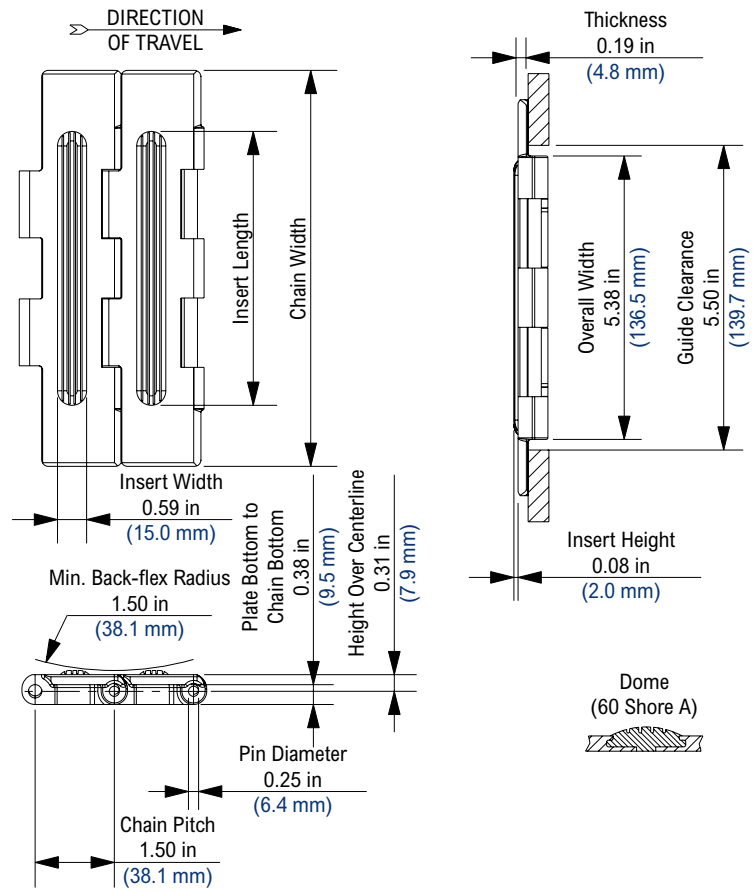


Photo shows 821 SuperGrip TableTop Chain molded in High Performance (HP) material with High Friction Inserts.



Chain Information

Chain Width desc	Chain Width		Min. Side-flex Radius		Approximate Weight	
	in	mm	in	mm	lbs/ft	kg/m
7 1/2	7.50	190.5	5.20	132.1	1.70	2.53
10	10.00	254.0	7.68	195.1	2.00	2.98
12	12.00	304.8	9.65	245.1	2.20	3.28

Available Materials

Prefix	Chain Material	Standard Pin Material	Temperature						Chain Strength		FDA Approval
			Fahrenheit			Celsius					
			min	max		min	max		lbs	N	
			dry	wet		dry	wet				
Standard Materials											
HP	High Performance	Stainless Steel	-40	180	150	-40	82	66	625	2,780	Yes

Regulatory Information

The Food and Drug Administration (FDA) accepts certain materials for direct food contact. FDA approved material is compliant to FDA 21 CFR § 177.

Rexnord, TableTop and HP are trademarks of Rexnord Corporation.

All rights reserved.

Additional Notes

Non-Standard products are non-returnable. Minimum order quantity and additional setup charges may also apply.

Stocked in 80 pitch, 10 ft (3.048 m) length strands.

Thermoplastic pins are available on a made-to-order basis.

Inserts may be spaced every pitch, every second pitch, etc.

Chain strength is listed at room temperature. NR = Not Recommended.

For additional material information, see material portfolio.

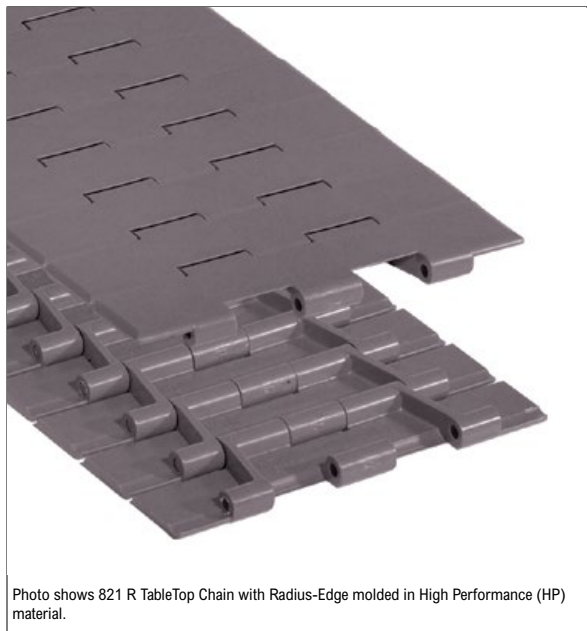
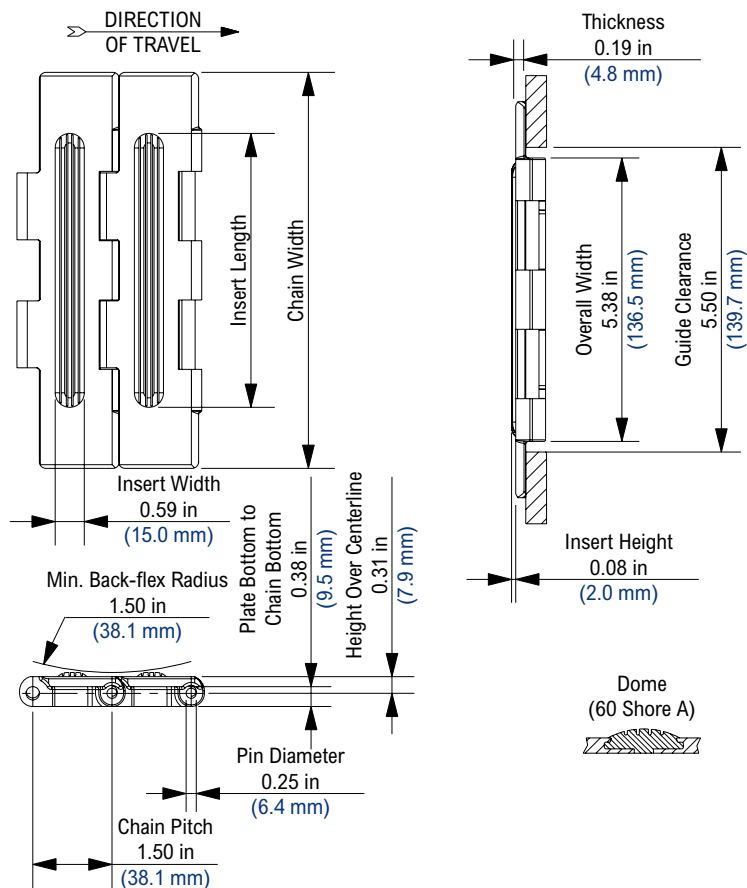


Photo shows 821 R TableTop Chain with Radius-Edge molded in High Performance (HP) material.

Chain Information

Chain Width desc	Chain Width		Min. Side-flex Radius		Approximate Weight	
	in	mm	in	mm	lbs/ft	kg/m
7 1/2	7.50	190.5	-	-	1.70	2.53



Available Materials

Prefix	Chain Material	Standard Pin Material	Temperature						Chain Strength		FDA Approval
			Fahrenheit			Celsius					
			min	max		min	max		lbs	N	
Standard Materials											
HP	High Performance	Stainless Steel	-40	180	150	-40	82	66	625	2,780	Yes
Non-Standard Materials											
LF	Low Friction	Stainless Steel	-40	180	150	-40	82	66	625	2,780	Yes

Regulatory Information

The Food and Drug Administration (FDA) accepts certain materials for direct food contact. FDA approved material is compliant to FDA 21 CFR § 177. Rexnord, TableTop and HP are trademarks of Rexnord Corporation. All rights reserved.

Additional Notes

Non-Standard products are non-returnable. Minimum order quantity and additional setup charges may also apply. Stocked in 80 pitch, 10 ft (3.048 m) length strands. Thermoplastic pins are available on a made-to-order basis. Chain strength is listed at room temperature. NR = Not Recommended. For additional material information, see material portfolio.

821 LBP

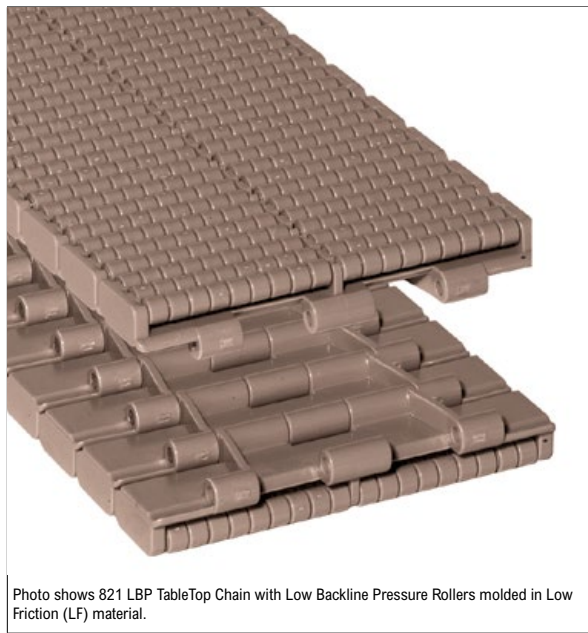
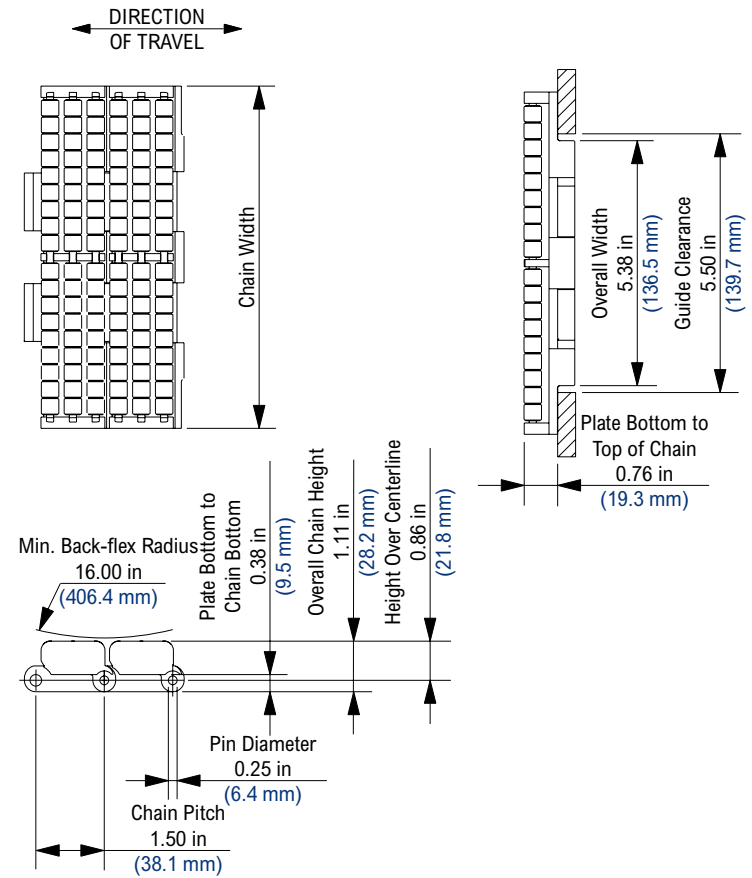


Photo shows 821 LBP TableTop Chain with Low Backline Pressure Rollers molded in Low Friction (LF) material.



Chain Information

Chain Width	Chain Width		Min. Side-flex Radius		Approximate Weight	
	desc	in	in	mm	lbs/ft	kg/m
7 1/2	7.50	190.5	-	-	4.10	6.11
10	10.00	254.0	-	-	5.12	7.63
12	12.00	304.8	-	-	6.12	9.12

Available Materials

Prefix	Chain Material	Standard Pin Material	Temperature						Chain Strength		FDA Approval
			Fahrenheit			Celsius					
			min	max		min	max		lbs	N	
			dry	wet		dry	wet				
Standard Materials											
HP	High Performance	Stainless Steel	-40	180	150	-40	82	66	625	2,780	Yes
LF	Low Friction	Stainless Steel	-40	180	150	-40	82	66	625	2,780	Yes
Non-Standard Materials											
CR	Extreme Chemical Resistant	Stainless Steel	40	240	212	4	116	100	500	2,224	Yes
P	Chemical Resistant	Stainless Steel	0	180	140	-18	82	60	500	2,224	Yes

Regulatory Information

The Food and Drug Administration (FDA) accepts certain materials for direct food contact. FDA approved material is compliant to FDA 21 CFR § 177. Rexnord, TableTop, Platinum Series, HP and PS are trademarks of Rexnord Corporation. All rights reserved. U.S. Patents: 4909380, 5096050, 533045, 4436200

Additional Notes

Non-Standard products are non-returnable. Minimum order quantity and additional setup charges may also apply. Stocked in 80 pitch, 10 ft (3.048 m) length strands. Low friction (LF) material is stocked in 7-1/2 in (190.5 mm) width only. Chemical resistant (P) and extreme chemical resistant (CR) materials are available for the 7-1/2 in (190.5 mm) only. Typical coefficient of friction between chain and product = 0.07. Chain strength is listed at room temperature. NR = Not Recommended. For additional material information, see material portfolio.

SWH LBP

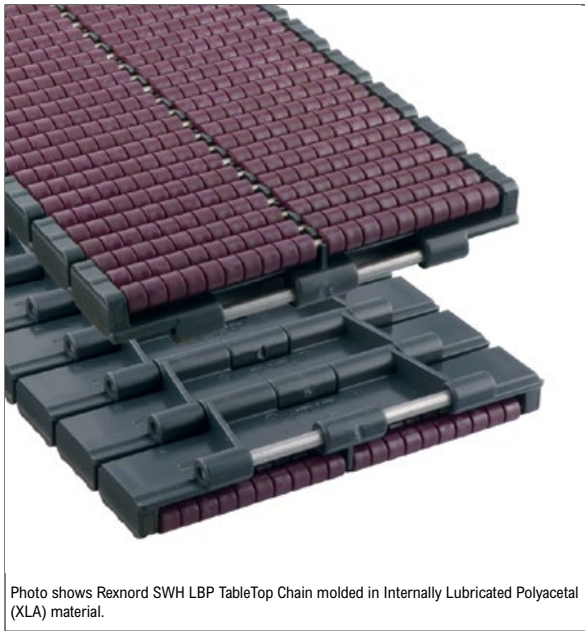
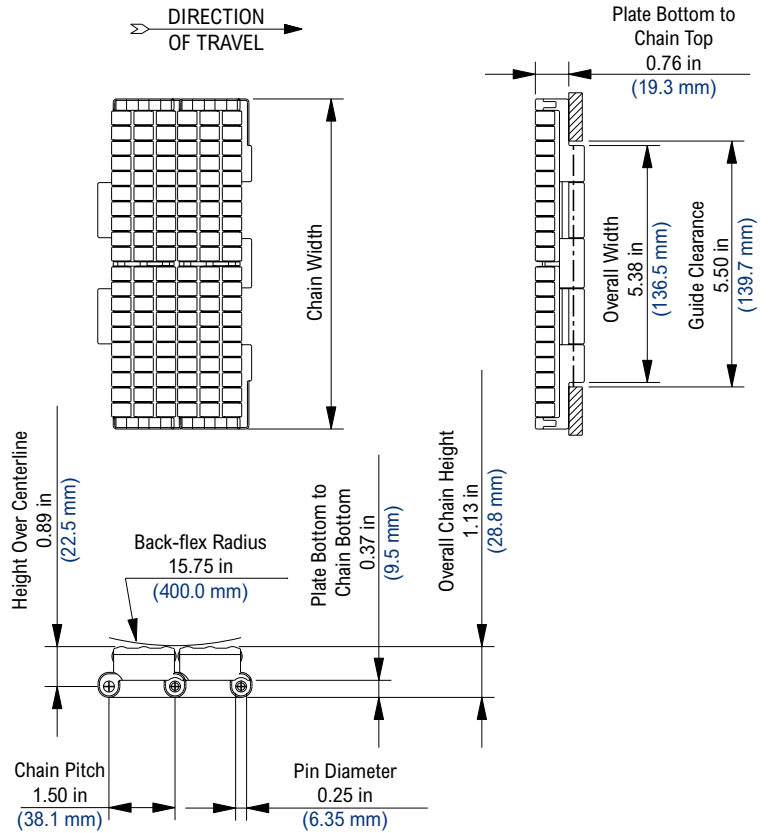


Photo shows Rexnord SWH LBP TableTop Chain molded in Internally Lubricated Polyacetal (XLA) material.

Chain Information

desc	Chain Width		Min. Side-flex Radius		Approximate Weight	
	in	mm	in	mm	lbs/ft	kg/m
7 1/2	7.50	190.5	-	-	3.56	5.30
10	10.00	254.0	-	-	4.44	6.62
12	12.00	304.8	-	-	5.28	7.87



Available Materials

Prefix	Chain Material	Standard Pin Material	Temperature						Chain Strength		FDA Approval
			Fahrenheit			Celsius			lbs	N	
			min	max		min	max				
			dry	wet		dry	wet				
Standard Materials											
XLA	Internally Lubricated Polyacetal	Stainless Steel	-40	180	150	-40	82	66	600	2,669	Yes

Regulatory Information

The Food and Drug Administration (FDA) accepts certain materials for direct food contact. FDA approved material is compliant to FDA 21 CFR § 177.

Rexnord and TableTop are trademarks of Rexnord Corporation.

All rights reserved.

Additional Notes

Stocked in 40 pitch, 5 ft (1.524 m) length strands.

Chain strength is listed at room temperature. NR = Not Recommended.

For additional material information, see material portfolio.

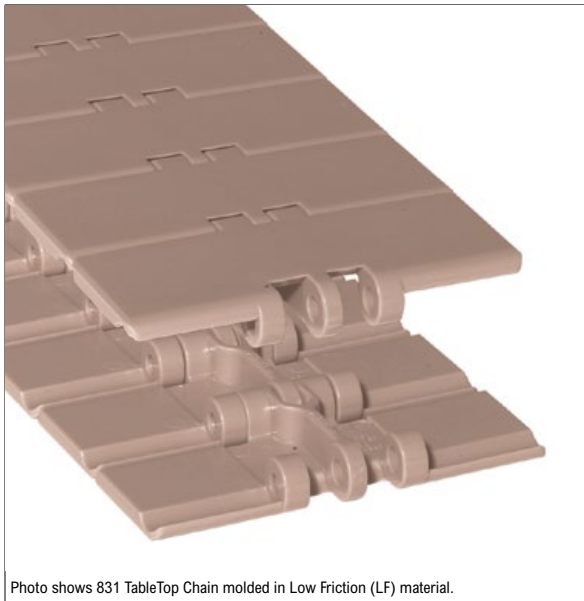
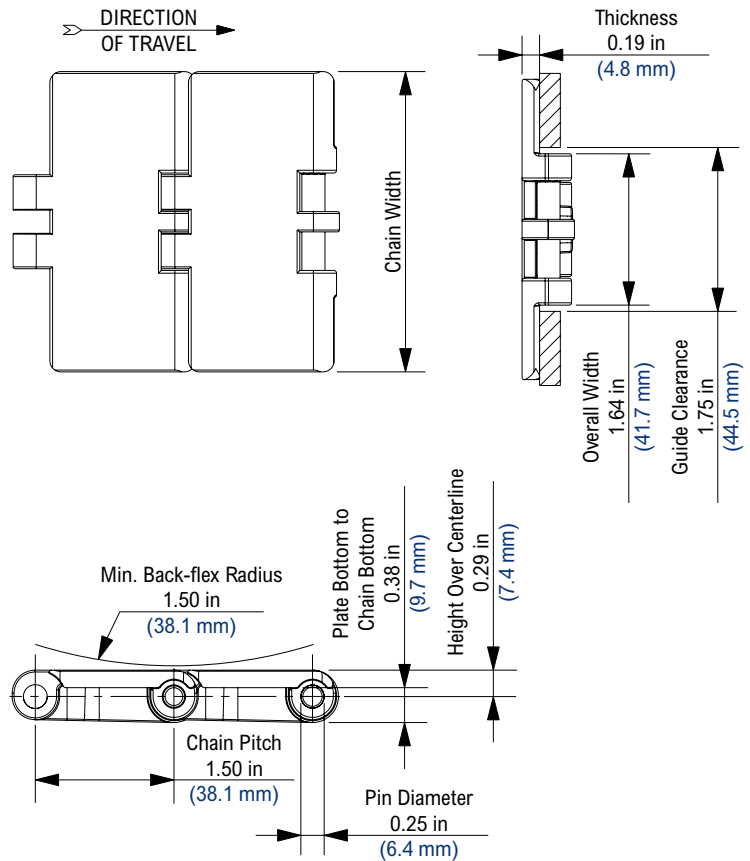


Photo shows 831 TableTop Chain molded in Low Friction (LF) material.



Chain Information

desc	Chain Width		Min. Side-flex Radius		Approximate Weight	
	in	mm	in	mm	lbs/ft	kg/m
3 1/4	3.25	82.6	-	-	0.61	0.91
4 1/2	4.50	114.3	-	-	0.75	1.12
7 1/2	7.50	190.5	-	-	1.08	1.61

Available Materials

Prefix	Chain Material	Standard Pin Material	Temperature						Chain Strength		FDA Approval
			Fahrenheit			Celsius			lbs	N	
			min	max		min	max				
Standard Materials											
Dry-PT	Dry PET Low Friction	Stainless Steel	-40	180	150	-40	82	66	365	1,624	Yes
HP	High Performance	Stainless Steel	-40	180	150	-40	82	66	365	1,624	Yes
LF	Low Friction	Stainless Steel	-40	180	150	-40	82	66	365	1,624	Yes
MLF	Medium Duty Low Friction	Stainless Steel	-40	180	150	-40	82	66	365	1,624	Yes
PSX	Platinum Series X	Stainless Steel	-40	180	150	-40	82	66	365	1,624	Yes
Non-Standard Materials											
AS	Anti-Static	Stainless Steel	0	180	NR	-18	82	NR	219	974	No
BWR	Black Wear Resistant	Stainless Steel	-40	180	NR	-40	82	NR	438	1,948	No
P	Chemical Resistant	Stainless Steel	0	180	140	-18	82	60	292	1,299	Yes
PS	Platinum Series	Stainless Steel	-40	180	150	-40	82	66	365	1,624	Yes
WX	Green Abrasion Resistant Polyamide	Stainless Steel	-40	220	NR	-40	104	NR	365	1,624	No
HS	Heat Stabilized	Stainless Steel	-40	220	212	-40	104	100	365	1,624	No

Regulatory Information

The Food and Drug Administration (FDA) accepts certain materials for direct food contact. FDA approved material is compliant to FDA 21 CFR § 177.

Renxord, Dry-PT, Platinum Series, Platinum Series X, HP, PS and PSX are trademarks of Renxord Corporation.

All rights reserved.

Additional Notes

Non-Standard products are non-returnable. Minimum order quantity and additional setup charges may also apply.

Stocked in 80 pitch, 10 ft (3.048 m) length strands.

Thermoplastic pins are available on a made-to-order basis.

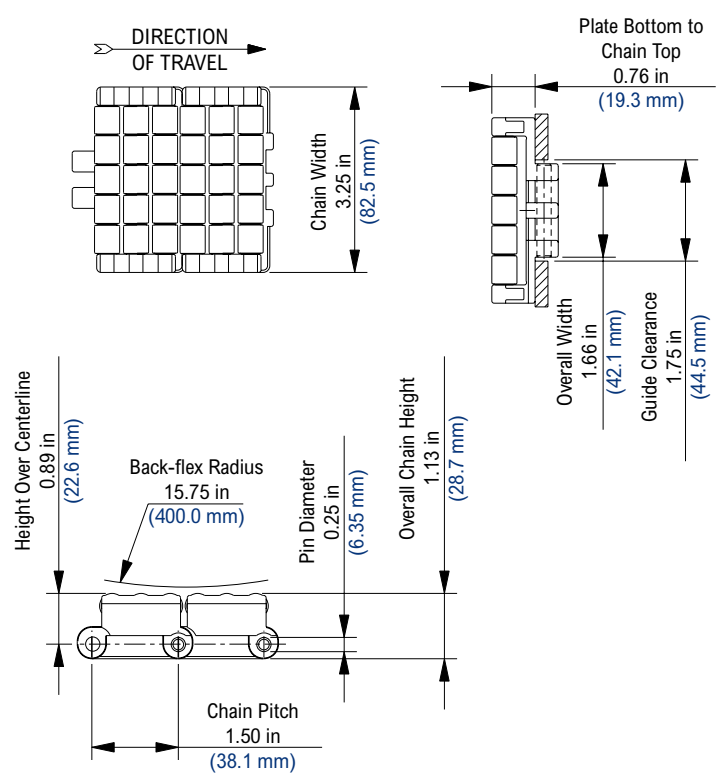
Chain strength is listed at room temperature. NR = Not Recommended.

For additional material information, see material portfolio.

SHD LBP



Photo shows SHD LBP TableTop Chain molded in Internally Lubricated Polyacetal (XLA) material.



Chain Information

Chain Width		Min. Side-flex Radius		Approximate Weight		
desc	in	mm	in	mm	lbs/ft	kg/m
3 1/4	3.25	82.6	-	-	1.48	2.21

Available Materials

Prefix	Chain Material	Standard Pin Material	Temperature						Chain Strength		FDA Approval
			Fahrenheit			Celsius					
			min	max		min	max		lbs	N	
			dry	wet		dry	wet				
Standard Materials											
XLA	Internally Lubricated Polyacetal	Stainless Steel	-40	180	150	-40	82	66	365	1,624	Yes

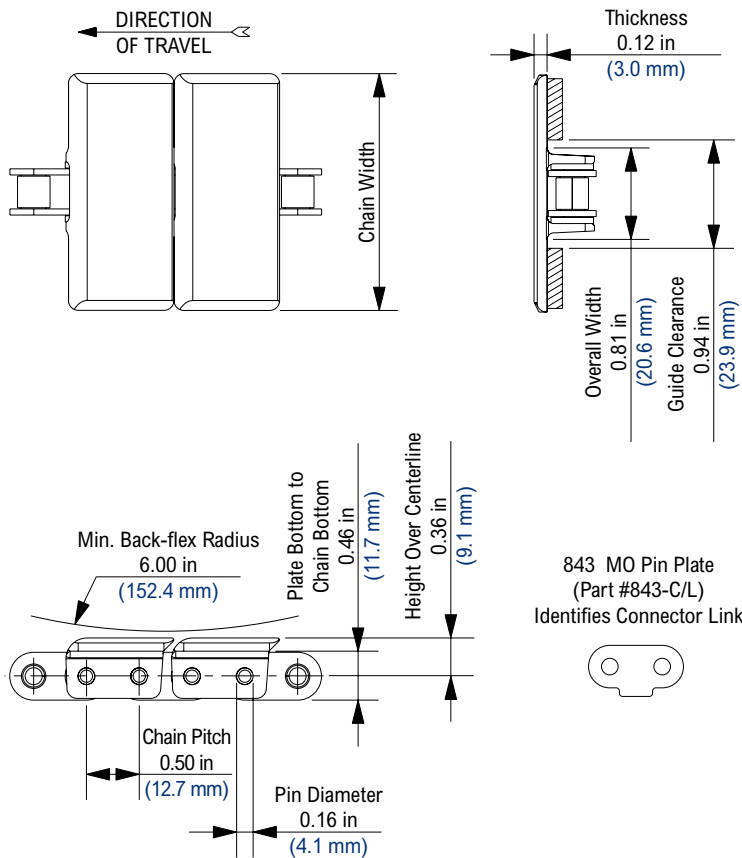
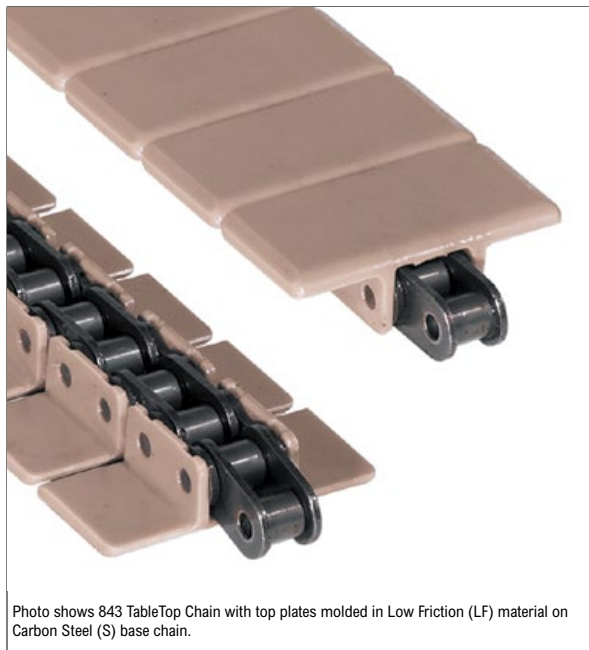
Regulatory Information

The Food and Drug Administration (FDA) accepts certain materials for direct food contact. FDA approved material is compliant to FDA 21 CFR § 177. Rexnord and TableTop are trademarks of Rexnord Corporation. All rights reserved.

Additional Notes

Stocked in 40 pitch, 5 ft (1.524 m) length strands. Thermoplastic pins are available on a made-to-order basis. Chain strength is listed at room temperature. NR = Not Recommended. For additional material information, see material portfolio.

843 (S)



Chain Information

desc	Chain Width		Min. Side-flex Radius		Approximate Weight	
	in	mm	in	mm	lbs/ft	kg/m
1 3/8	1.38	34.9	-	-	0.56	0.83
1 7/16	1.44	36.5	-	-	0.56	0.83
2	2.00	50.8	-	-	0.60	0.89
3 1/4	3.25	82.6	-	-	0.69	1.03

Available Materials

Prefix	Top Plate Material	Base Chain Material	Temperature						Chain Strength		FDA Approval
			Fahrenheit			Celsius					
			min	max		min	max		lbs	N	
Standard Materials											
D	Plain Acetal	Carbon Steel	-40	180	NR	-40	82	NR	800	3,559	No
LF	Low Friction	Carbon Steel	-40	180	NR	-40	82	NR	800	3,559	No
Non-Standard Materials											
AS	Anti-Static	Carbon Steel	0	180	NR	-18	82	NR	800	3,559	No
BWR	Black Wear Resistant	Carbon Steel	-40	180	NR	-40	82	NR	800	3,559	No
DUV	Plain Acetal Ultraviolet Resistant	Stainless Steel	0	180	150	-18	82	66	800	3,559	No
HP	High Performance	Stainless Steel	-40	180	150	-40	82	66	800	3,559	Yes
MR	Melt Resistant	Carbon Steel	-80	220	NR	-62	104	NR	800	3,559	No

Regulatory Information

The Food and Drug Administration (FDA) accepts certain materials for direct food contact. FDA approved material is compliant to FDA 21 CFR § 177.
 Rexnord, TableTop and HP are trademarks of Rexnord Corporation.
 All rights reserved.

Additional Notes

Non-Standard products are non-returnable. Minimum order quantity and additional setup charges may also apply.
 Stocked in 240 pitch, 10 ft (3.048 m) length strands.
 Uses 843 carbon steel (S) base chain (Part #843S-BC).
 Chain runs on ANSI No. 40 sprockets.
 Chain strength is listed at room temperature. NR = Not Recommended.
 For additional material information, see material portfolio.

843 (SS)

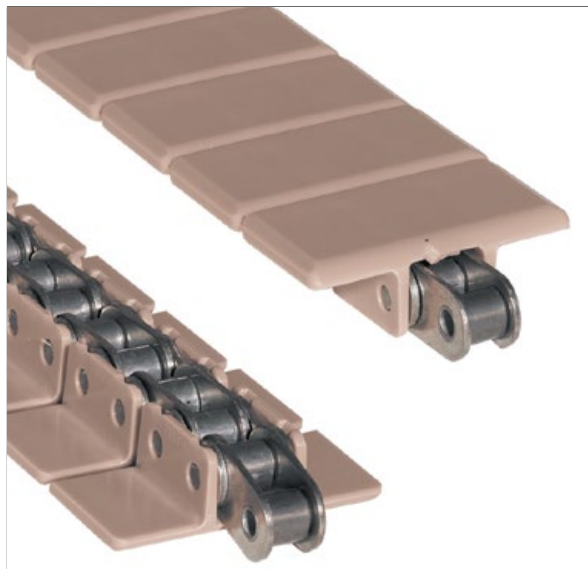
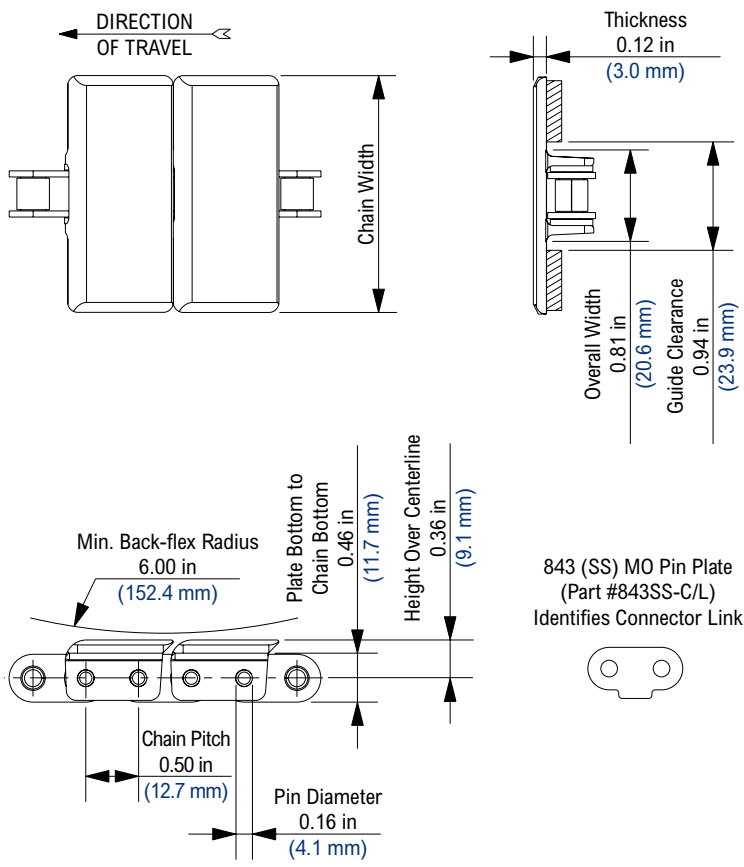
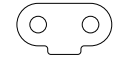


Photo shows 843 TableTop Chain with top plates molded in Low Friction (LF) material on Stainless Steel (SS) base chain.



843 (SS) MO Pin Plate (Part #843SS-C/L) Identifies Connector Link



Chain Information

Chain Width desc	Chain Width		Min. Side-flex Radius		Approximate Weight	
	in	mm	in	mm	lbs/ft	kg/m
1 3/8	1.38	34.9	-	-	0.56	0.83
1 7/16	1.44	36.5	-	-	0.56	0.83
2	2.00	50.8	-	-	0.60	0.89
3 1/4	3.25	82.6	-	-	0.69	1.03

Available Materials

Prefix	Top Plate Material	Base Chain Material	Temperature						Chain Strength		FDA Approval
			Fahrenheit			Celsius					
			min	max		min	max		lbs	N	
Standard Materials											
D	Plain Acetal	Stainless Steel	-40	180	150	-40	82	66	520	2,313	Yes
LF	Low Friction	Stainless Steel	-40	180	150	-40	82	66	520	2,313	Yes
Non-Standard Materials											
AS	Anti-Static	Stainless Steel	0	180	NR	-18	82	NR	520	2,313	No
DUV	Plain Acetal Ultraviolet Resistant	Stainless Steel	0	180	150	-18	82	66	520	2,313	No
BWR	Black Wear Resistant	Stainless Steel	-40	180	NR	-40	82	NR	520	2,313	No
HP	High Performance	Stainless Steel	-40	180	150	-40	82	66	520	2,313	Yes
MR	Melt Resistant	Stainless Steel	-80	220	NR	-62	104	NR	520	2,313	No

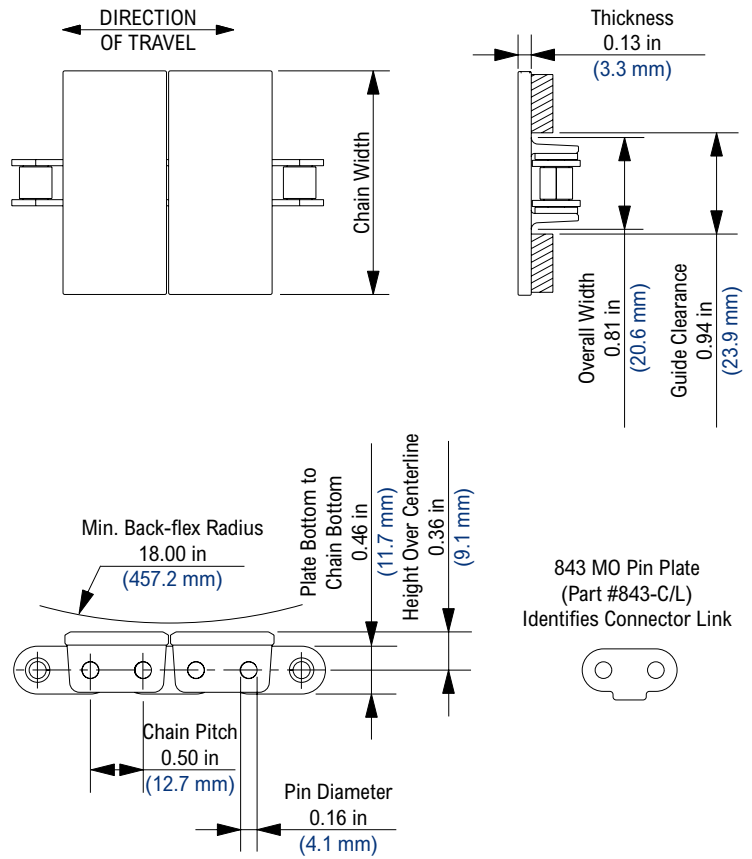
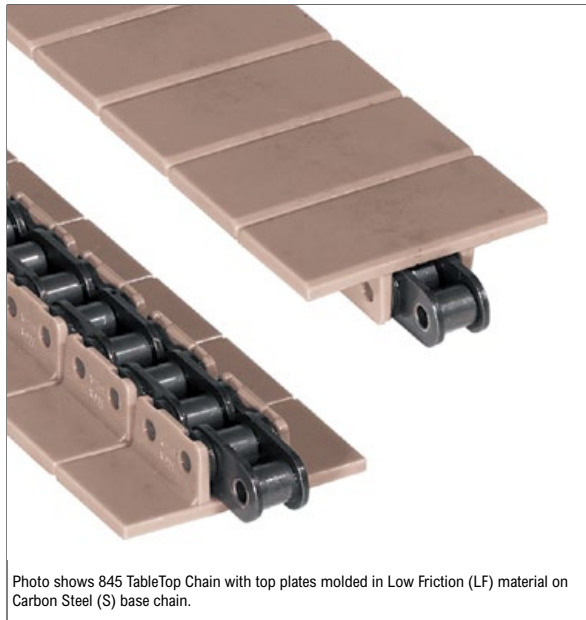
Regulatory Information

The Food and Drug Administration (FDA) accepts certain materials for direct food contact. FDA approved material is compliant to FDA 21 CFR § 177. Rexnord, TableTop and HP are trademarks of Rexnord Corporation. All rights reserved.

Additional Notes

Non-Standard products are non-returnable. Minimum order quantity and additional setup charges may also apply. Stocked in 240 pitch, 10 ft (3.048 m) length strands. Uses 843 stainless steel (SS) base chain (Part #843SS-BC). Chain runs on ANSI No. 40 sprockets. Chain strength is listed at room temperature. NR = Not Recommended. For additional material information, see material portfolio.

845 (S)



Chain Information

Chain Width desc	Chain Width		Min. Side-flex Radius		Approximate Weight	
	in	mm	in	mm	lbs/ft	kg/m
1 1/8	1.13	28.6	-	-	0.57	0.85
1 3/8	1.38	34.9	-	-	0.60	0.89
2	2.00	50.8	-	-	0.66	0.98

Available Materials

Prefix	Top Plate Material	Base Chain Material	Temperature						Chain Strength		FDA Approval
			Fahrenheit			Celsius			lbs	N	
			min	max		min	max				
			dry	wet	NR	dry	wet				
Standard Materials											
LF	Low Friction	Carbon Steel	-40	180	NR	-40	82	NR	800	3,559	No
Non-Standard Materials											
D	Plain Acetal	Carbon Steel	-40	180	NR	-40	82	NR	800	3,559	No

Regulatory Information

The Food and Drug Administration (FDA) accepts certain materials for direct food contact. FDA approved material is compliant to FDA 21 CFR § 177.

Rexnord and TableTop are trademarks of Rexnord Corporation.

All rights reserved.

Additional Notes

Non-Standard products are non-returnable. Minimum order quantity and additional setup charges may also apply.

Stocked in 240 pitch, 10 ft (3.048 m) length strands.

Uses 843 carbon steel (S) base chain (Part #843S-BC).

Chain runs on ANSI No. 40 sprockets.

Chain strength is listed at room temperature. NR = Not Recommended.

For additional material information, see material portfolio.

845 (SS)

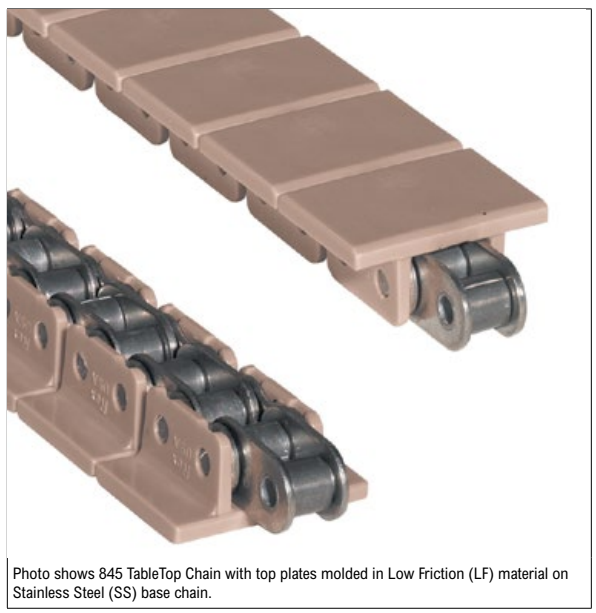
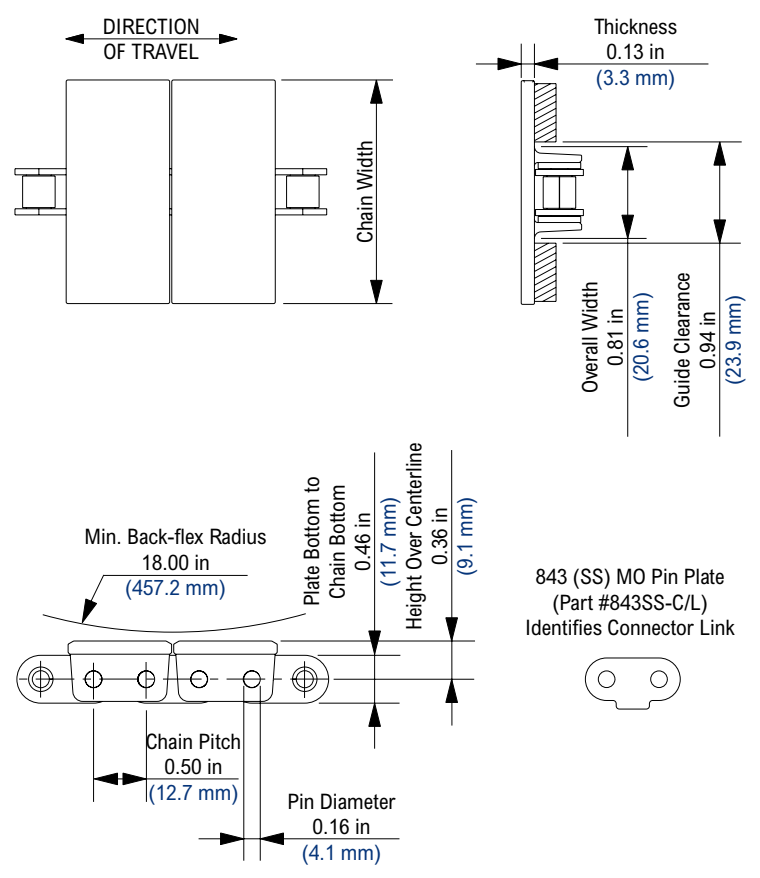


Photo shows 845 TableTop Chain with top plates molded in Low Friction (LF) material on Stainless Steel (SS) base chain.



Chain Information

Chain Width	Min. Side-flex Radius		Approximate Weight			
	in	mm	lbs/ft	kg/m		
1 1/8	1.13	28.6	-	-	0.57	0.85
1 3/8	1.38	34.9	-	-	0.60	0.89
2	2.00	50.8	-	-	0.66	0.98

Available Materials

Prefix	Top Plate Material	Base Chain Material	Temperature						Chain Strength		FDA Approval
			Fahrenheit			Celsius			lbs	N	
			min	max		min	max				
				dry	wet		dry	wet			
Standard Materials											
LF	Low Friction	Stainless Steel	-40	180	150	-40	82	66	520	2,313	Yes
Non-Standard Materials											
D	Plain Acetal	Stainless Steel	-40	180	150	-40	82	66	520	2,313	Yes

Regulatory Information

The Food and Drug Administration (FDA) accepts certain materials for direct food contact. FDA approved material is compliant to FDA 21 CFR § 177. Rexnord and TableTop are trademarks of Rexnord Corporation. All rights reserved.

Additional Notes

- Non-Standard products are non-returnable. Minimum order quantity and additional setup charges may also apply.
- Stocked in 240 pitch, 10 ft (3.048 m) length strands.
- Uses 843 stainless steel (SS) base chain (Part #843SS-BC).
- Chain runs on ANSI No. 40 sprockets.
- Chain breaker available.
- Chain strength is listed at room temperature.
- NR = Not Recommended.
- For additional material information, see material portfolio.



Part #SK12776

863 TAB (S)

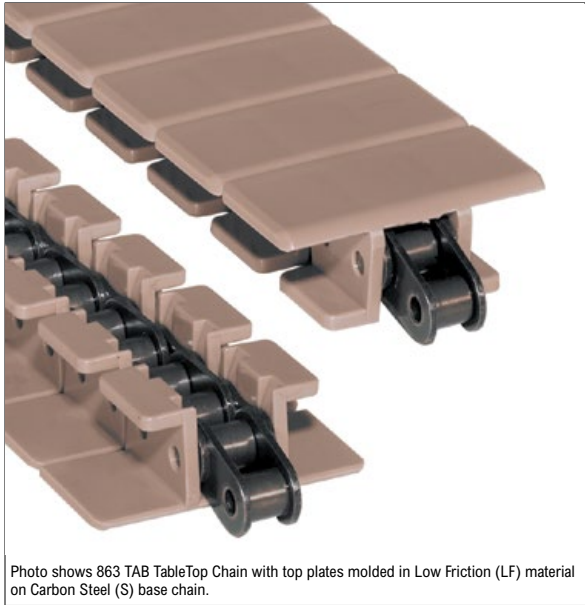
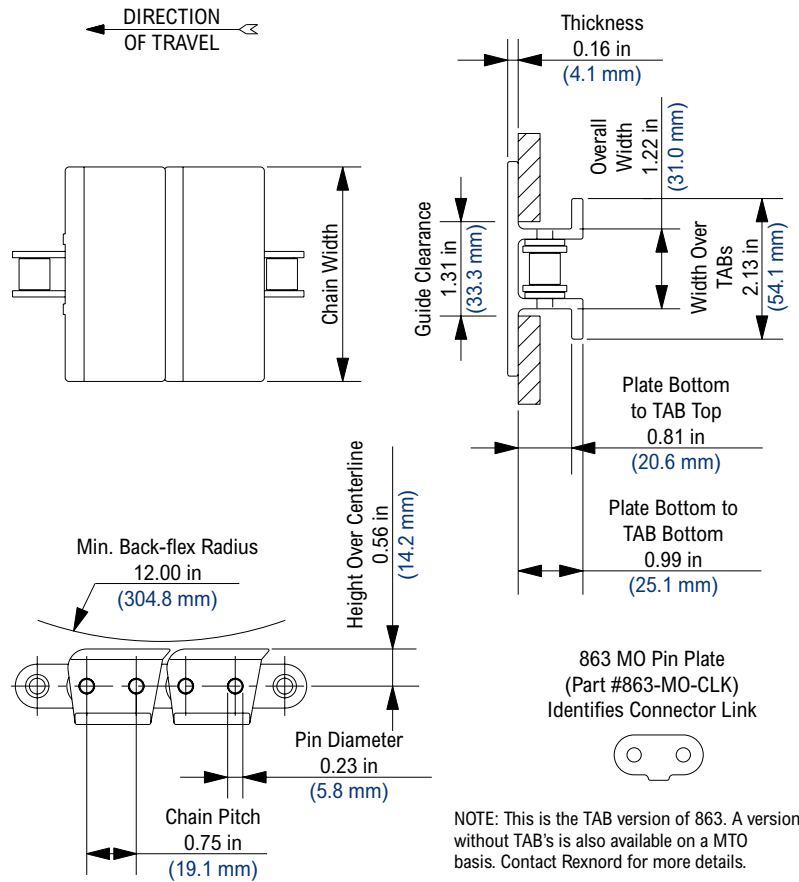


Photo shows 863 TAB TableTop Chain with top plates molded in Low Friction (LF) material on Carbon Steel (S) base chain.

Chain Information

Chain Width desc	Chain Width		Min. Side-flex Radius		Approximate Weight	
	in	mm	in	mm	lbs/ft	kg/m
3 1/4	3.25	82.6	-	-	1.41	2.10
4 1/2	4.50	114.3	-	-	1.50	2.24



Available Materials

Prefix	Top Plate Material	Base Chain Material	Temperature						Chain Strength		FDA Approval
			Fahrenheit			Celsius			lbs	N	
			min	max		min	max				
			dry	wet	NR	min	dry	wet			
Standard Materials											
LF	Low Friction	Carbon Steel	-40	180	NR	-40	82	NR	1,400	6,228	Yes
Non-Standard Materials											
BWR	Black Wear Resistant	Carbon Steel	-40	180	NR	-40	82	NR	1,400	6,228	No
D	Plain Acetal	Carbon Steel	-40	180	NR	-40	82	NR	1,400	6,228	Yes
HP	High Performance	Carbon Steel	-40	180	NR	-40	82	NR	1,400	6,228	No
WX	Green Abrasion Resistant Polyamide	Carbon Steel	-40	220	NR	-40	104	NR	1,400	6,228	No

Regulatory Information

Rexnord, TableTop and HP are trademarks of Rexnord Corporation. All rights reserved.

Additional Notes

Non-Standard products are non-returnable. Minimum order quantity and additional setup charges may also apply.

Stocked in 160 pitch, 10 ft (3.048 m) length strands.

Uses 863 carbon steel (S) base chain (Part #863-BC).

Chain runs on ANSI No. 60 sprockets.

Plain acetal (D) top plates are not stocked for the 3-1/4 in (82.6 mm) width.

Chain breakers available.

Chain strength is listed at room temperature.

NR = Not Recommended.

For additional material information, see material portfolio.



Part #SK12776

863 TAB (SS)

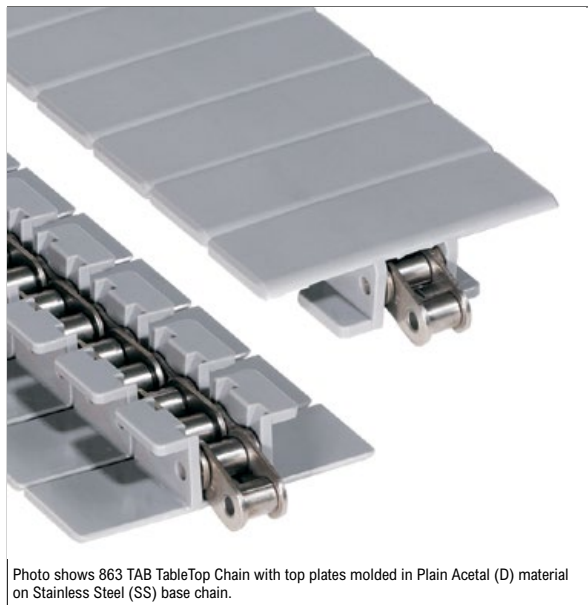
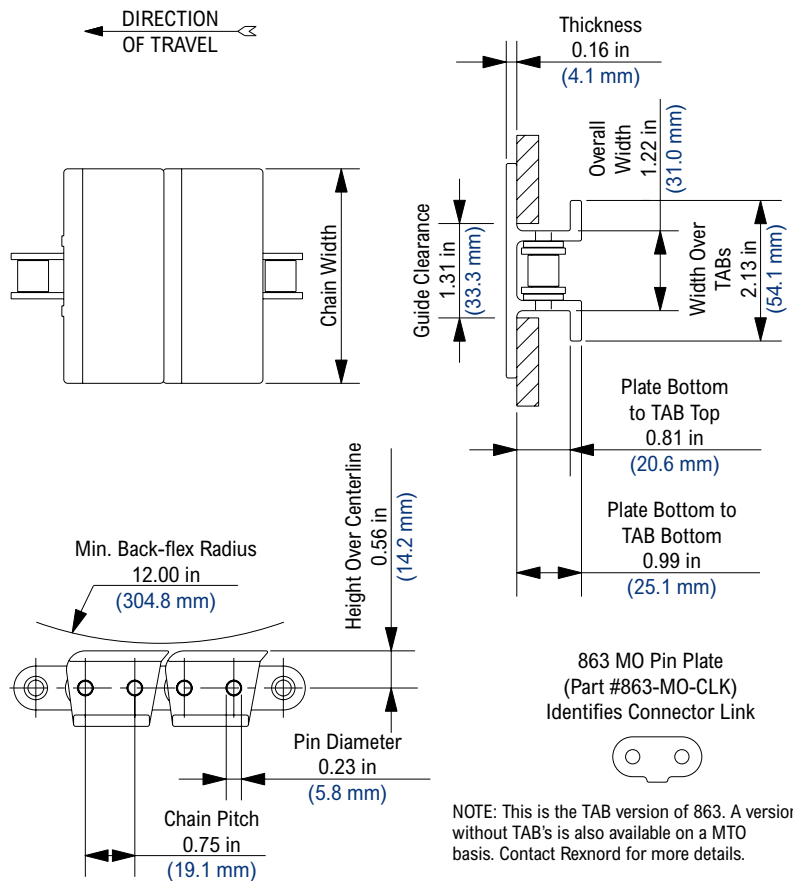


Photo shows 863 TAB TableTop Chain with top plates molded in Plain Acetal (D) material on Stainless Steel (SS) base chain.

Chain Information

Chain Width desc	Chain Width		Min. Side-flex Radius		Approximate Weight	
	in	mm	in	mm	lbs/ft	kg/m
3 1/4	3.25	82.6	-	-	1.41	2.10
4 1/2	4.50	114.3	-	-	1.50	2.24



Available Materials

Prefix	Top Plate Material	Base Chain Material	Temperature						Chain Strength		FDA Approval
			Fahrenheit			Celsius					
			min	max		min	max		lbs	N	
				dry	wet		dry	wet			
Standard Materials											
LF	Low Friction	Stainless Steel	-40	180	150	-40	82	66	900	4,003	Yes
Non-Standard Materials											
D	Plain Acetal	Stainless Steel	-40	180	150	-40	82	66	900	4,003	Yes
HP	High Performance	Stainless Steel	-40	180	150	-40	82	66	900	4,003	Yes

Regulatory Information

The Food and Drug Administration (FDA) accepts certain materials for direct food contact. FDA approved material is compliant to FDA 21 CFR § 177.

Rexnord, TableTop and HP are trademarks of Rexnord Corporation.

All rights reserved.

Additional Notes

Non-Standard products are non-returnable. Minimum order quantity and additional setup charges may also apply.

Stocked in 160 pitch, 10 ft (3.048 m) length strands.

Uses 863 stainless steel (SS) base chain (Part #863SS-BC).

Chain runs on ANSI No. 60 sprockets.

Plain acetal (D) top plates are not stocked for the 3-1/4 in (82.6 mm) width.

Chain breakers available.

Chain strength is listed at room temperature.

NR = Not Recommended.

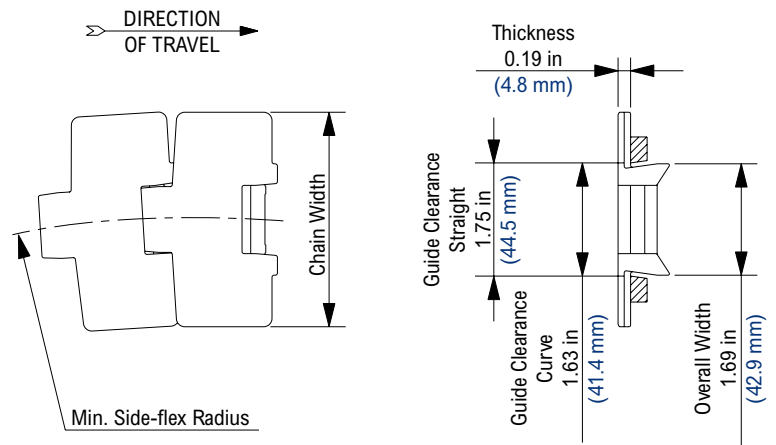
For additional material information, see material portfolio.



879 B

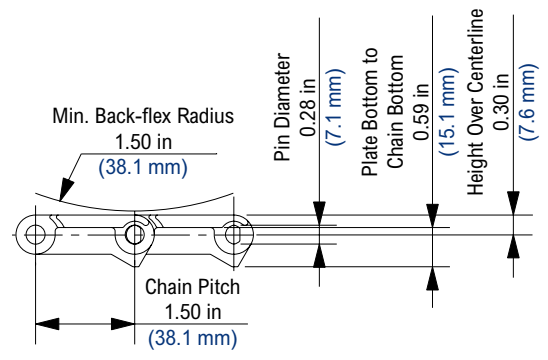


Photo shows 879 B TableTop Chain molded in Low Friction (LF) material.



Chain Information

Chain Width desc	Chain Width		Min. Side-flex Radius		Approximate Weight	
	in	mm	in	mm	lbs/ft	kg/m
3 1/4	3.25	82.6	18.00	457.2	0.60	0.89
4 1/2	4.50	114.3	24.00	609.6	0.70	1.04



Available Materials

Prefix	Chain Material	Standard Pin Material	Temperature						Chain Strength		FDA Approval
			Fahrenheit			Celsius					
			min	max		min	max		lbs	N	
			dry	wet		dry	wet				
Standard Materials											
HP	High Performance	Stainless Steel	-40	180	150	-40	82	66	425	1,890	Yes
LF	Low Friction	Stainless Steel	-40	180	150	-40	82	66	425	1,890	Yes
Non-Standard Materials											
MR	Melt Resistant	Stainless Steel	-80	220	NR	-62	104	NR	425	1,890	No

Regulatory Information

The Food and Drug Administration (FDA) accepts certain materials for direct food contact. FDA approved material is compliant to FDA 21 CFR § 177. Rexnord, TableTop and HP are trademarks of Rexnord Corporation. All rights reserved.

Additional Notes

Non-Standard products are non-returnable. Minimum order quantity and additional setup charges may also apply. Stocked in 80 pitch, 10 ft (3.048 m) length strands. Thermoplastic pins are available on a made-to-order basis. Chain strength is listed at room temperature. NR = Not Recommended. For additional material information, see material portfolio.

879 TAB

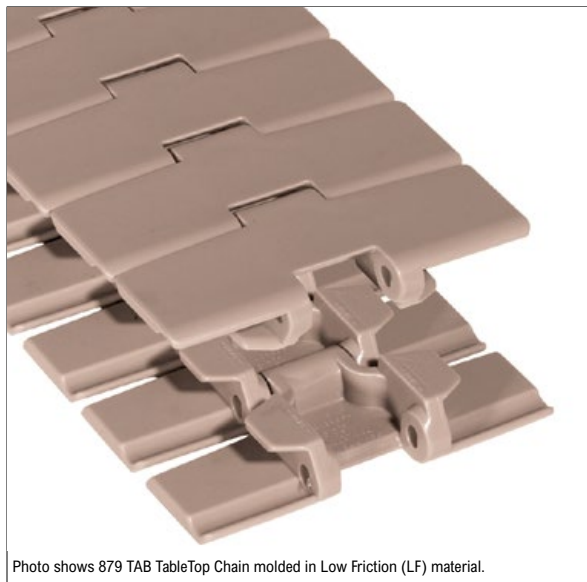
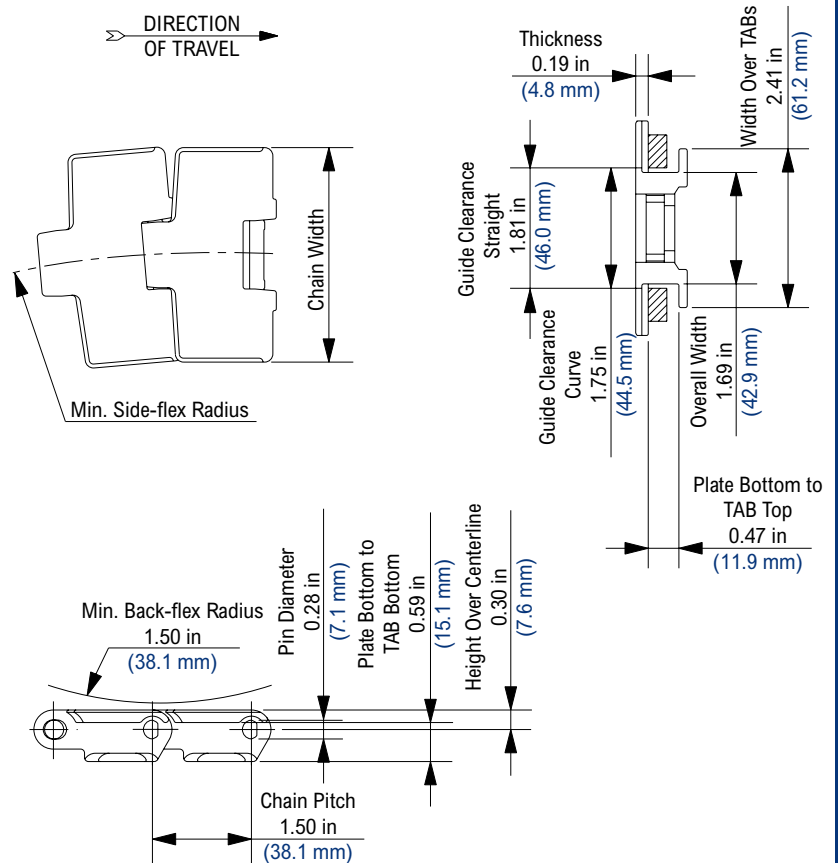


Photo shows 879 TAB TableTop Chain molded in Low Friction (LF) material.



Chain Information

Chain Width desc	Chain Width		Min. Side-flex Radius		Approximate Weight	
	in	mm	in	mm	lbs/ft	kg/m
3 1/4	3.25	82.6	18.00	457.2	0.70	1.04
4 1/2	4.50	114.3	24.00	609.6	0.76	1.13

Available Materials

Prefix	Chain Material	Standard Pin Material	Temperature						Chain Strength		FDA Approval
			Fahrenheit			Celsius					
			min	max		min	max		lbs	N	
			dry	wet		dry	wet				
Standard Materials											
Dry-PT	Dry PET Low Friction	Stainless Steel	-40	180	150	-40	82	66	425	1,890	Yes
HP	High Performance	Stainless Steel	-40	180	150	-40	82	66	425	1,890	Yes
LF	Low Friction	Stainless Steel	-40	180	150	-40	82	66	425	1,890	Yes
MLF	Medium Duty Low Friction	Stainless Steel	-40	180	150	-40	82	66	425	1,890	Yes
PS	Platinum Series	Stainless Steel	-40	180	150	-40	82	66	425	1,890	Yes
PSX	Platinum Series X	Stainless Steel	-40	180	150	-40	82	66	425	1,890	Yes
Non-Standard Materials											
AS	Anti-Static	Stainless Steel	0	180	NR	-18	82	NR	255	1,134	No
BWR	Black Wear Resistant	Stainless Steel	-40	180	NR	-40	82	NR	510	2,269	No
MR	Melt Resistant	Stainless Steel	-80	220	NR	-62	104	NR	425	1,890	No
P	Chemical Resistant	Stainless Steel	0	180	140	-18	82	60	340	1,512	Yes

Regulatory Information

The Food and Drug Administration (FDA) accepts certain materials for direct food contact. FDA approved material is compliant to FDA 21 CFR § 177.

Rexnord, TableTop, Dry-PT, HP, Platinum Series, Platinum Series X, PS and PSX are trademarks of Rexnord Corporation.

All rights reserved.

Additional Notes

Non-Standard products are non-returnable. Minimum order quantity and additional setup charges may also apply.

Stocked in 80 pitch, 10 ft (3.048 m) length strands.

Thermoplastic pins are available on a made-to-order basis.

Chain strength is listed at room temperature. NR = Not Recommended.

For additional material information, see material portfolio.

880 B

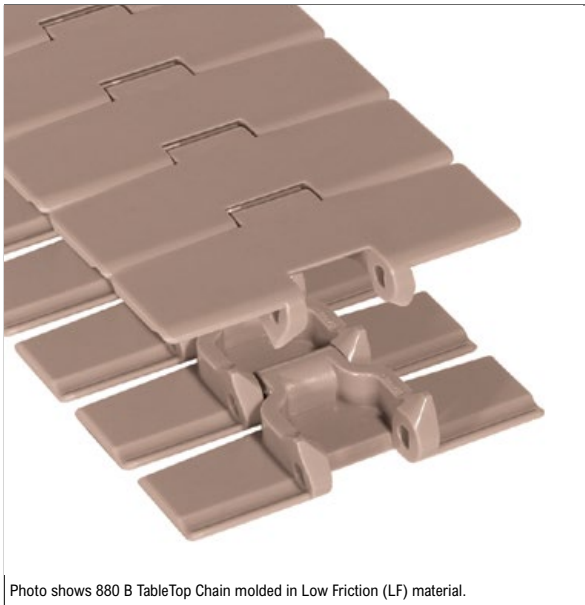
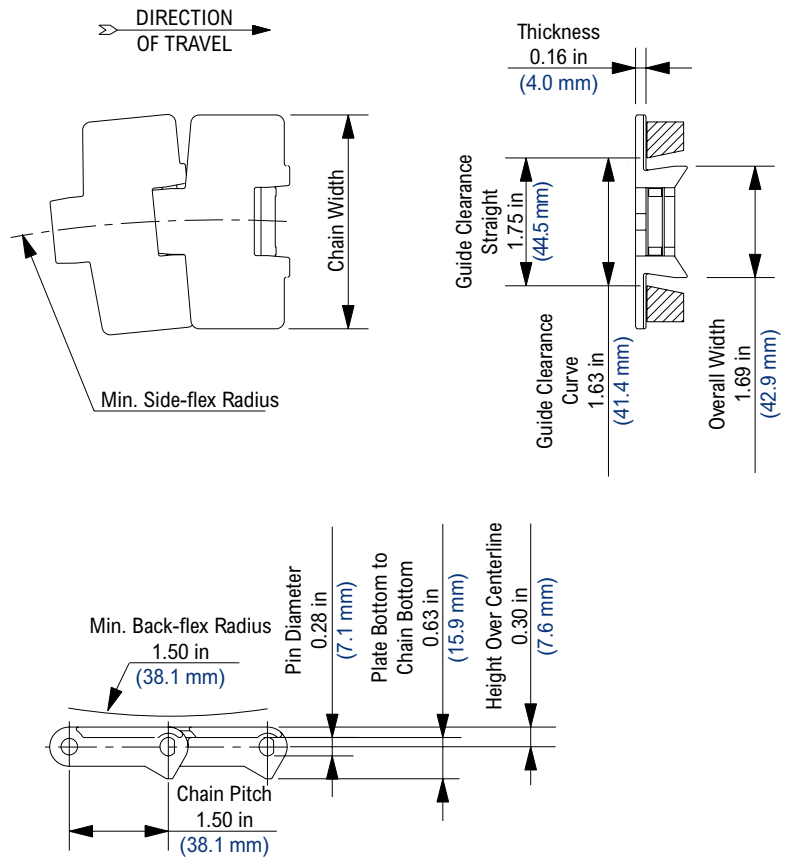


Photo shows 880 B TableTop Chain molded in Low Friction (LF) material.



Chain Information

desc	Chain Width		Min. Side-flex Radius		Approximate Weight	
	in	mm	in	mm	lbs/ft	kg/m
3 1/4	3.25	82.6	18.00	457.2	0.60	0.89
4 1/2	4.50	114.3	24.00	609.6	0.70	1.04

Available Materials

Prefix	Chain Material	Standard Pin Material	Temperature						Chain Strength		FDA Approval
			Fahrenheit			Celsius					
			min	max		min	max		lbs	N	
				dry	wet		dry	wet			
Standard Materials											
HP	High Performance	Stainless Steel	-40	180	150	-40	82	66	425	1,890	Yes
LF	Low Friction	Stainless Steel	-40	180	150	-40	82	66	425	1,890	Yes
D	Plain Acetal	Stainless Steel	-40	180	150	-40	82	66	425	1,890	Yes
MLF	Medium Duty Low Friction	Stainless Steel	-40	180	150	-40	82	66	425	1,890	Yes
Non-Standard Materials											
AS	Anti-Static	Stainless Steel	0	180	NR	-18	82	NR	255	1,134	No
CR	Extreme Chemical Resistant	Stainless Steel	40	240	212	4	116	100	340	1,512	Yes
MR	Melt Resistant	Stainless Steel	-80	220	NR	-62	104	NR	425	1,890	No
P	Chemical Resistant	Stainless Steel	0	180	140	-18	82	60	340	1,512	Yes
WLF	White Low Friction	Stainless Steel	-40	180	150	-40	82	66	425	1,890	Yes

Regulatory Information

Based on the material chemistries, industry standards, and the documentation in the Federal Registry, it is the opinion of Rexnord that the MCC TableTop stainless steel chains can be considered GRAS for direct food contact.

Rexnord, HP and TableTop are trademarks of Rexnord Corporation.

All rights reserved.

Additional Notes

Non-Standard products are non-returnable. Minimum order quantity and additional setup charges may also apply.

Stocked in 80 pitch, 10 ft (3.048 m) length strands.

Thermoplastic pins are available on a made-to-order basis.

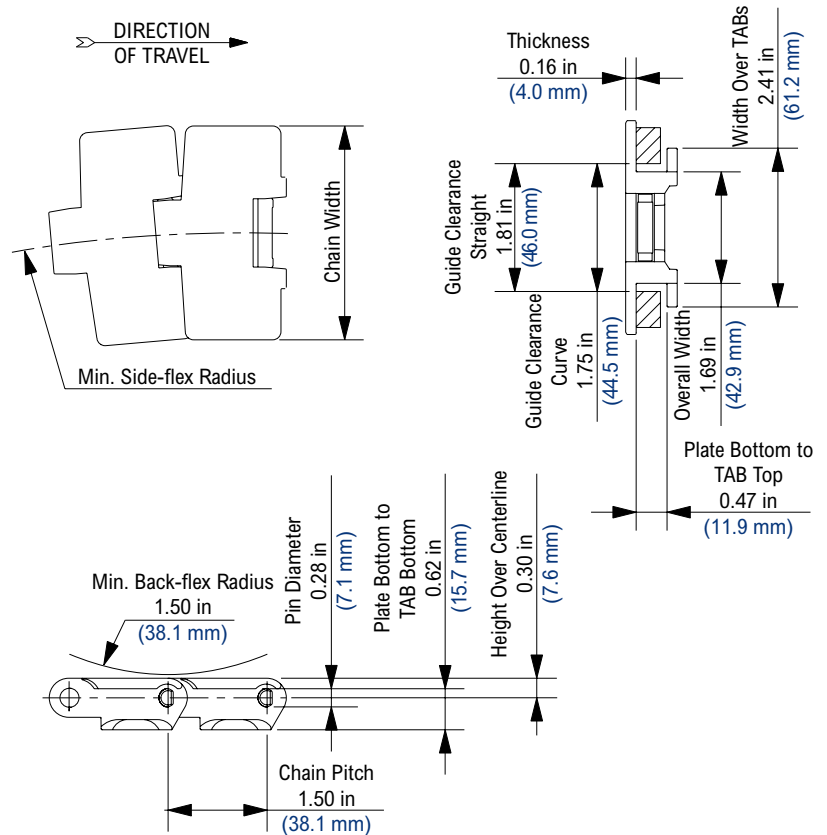
Chain strength is listed at room temperature. NR = Not Recommended.

For additional material information, see material portfolio.

880 TAB



Photo shows 880 TAB TableTop Chain molded in Low Friction (LF) material.



Chain Information

desc	Chain Width		Min. Side-flex Radius		Approximate Weight	
	in	mm	in	mm	lbs/ft	kg/m
3 1/4	3.25	82.6	18.00	457.2	0.63	0.94
4 1/2	4.50	114.3	24.00	609.6	0.73	1.09

Available Materials

Prefix	Chain Material	Standard Pin Material	Temperature						Chain Strength		FDA Approval
			Fahrenheit			Celsius			lbs	N	
			min	max		min	max				
Standard Materials											
AS	Anti-Static	Stainless Steel	0	180	NR	-18	82	NR	255	1,134	No
Dry-PT	Dry PET Low Friction	Stainless Steel	-40	180	150	-40	82	66	425	1,890	Yes
HP	High Performance	Stainless Steel	-40	180	150	-40	82	66	425	1,890	Yes
LF	Low Friction	Stainless Steel	-40	180	150	-40	82	66	425	1,890	Yes
MLF	Medium Duty Low Friction	Stainless Steel	-40	180	150	-40	82	66	425	1,890	Yes
PSX	Platinum Series X	Stainless Steel	-40	180	150	-40	82	66	425	1,890	Yes
Non-Standard Materials											
BWR	Black Wear Resistant	Stainless Steel	-40	180	NR	-40	82	NR	510	2,269	No
CR	Extreme Chemical Resistant	Stainless Steel	40	240	212	4	116	100	340	1,512	Yes
D	Plain Acetal	Stainless Steel	-40	180	150	-40	82	66	425	1,890	Yes
DKA	Abrasion Resistant Composite	Stainless Steel	0	v180	150	-18	82	66	425	1,890	Yes
FR	Flame Retardant	Stainless Steel	0	180	140	-18	82	60	255	1,134	No
HS	Heat Stabilized	Stainless Steel	-40	220	212	-40	104	100	425	1,890	No
MR	Melt Resistant	Stainless Steel	-80	220	NR	-62	104	NR	425	1,890	No
P	Chemical Resistant	Stainless Steel	0	180	140	-18	82	60	340	1,512	Yes
PS	Platinum Series	Stainless Steel	-40	180	150	-40	82	66	425	1,890	Yes
WLF	White Low Friction	Stainless Steel	-40	180	150	-40	82	66	425	1,890	Yes
WX	Green Abrasion Resistant Polyamide	Stainless Steel	-40	220	NR	-40	104	NR	425	1,890	No

Regulatory Information

The Food and Drug Administration (FDA) accepts certain materials for direct food contact. FDA approved material is compliant to FDA 21 CFR § 177.

Rexnord, TableTop, Dry-PT, Platinum Series, Platinum Series X, PS, PSX and HP are trademarks of Rexnord Corporation.

All rights reserved.

Additional Notes

Non-Standard products are non-returnable. Minimum order quantity and additional setup charges may also apply.

Stocked in 80 pitch, 10 ft (3.048 m) length strands.

Thermoplastic pins are available on a made-to-order basis.

Chain strength is listed at room temperature. NR = Not Recommended.

For additional material information, see material portfolio.

880 TAB RubberTop

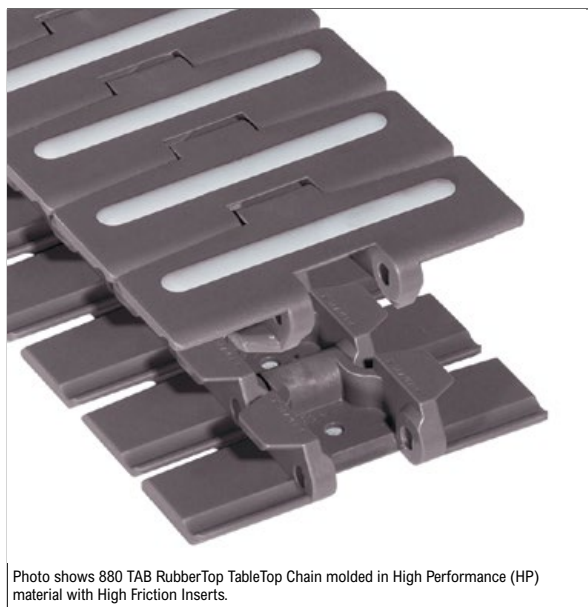
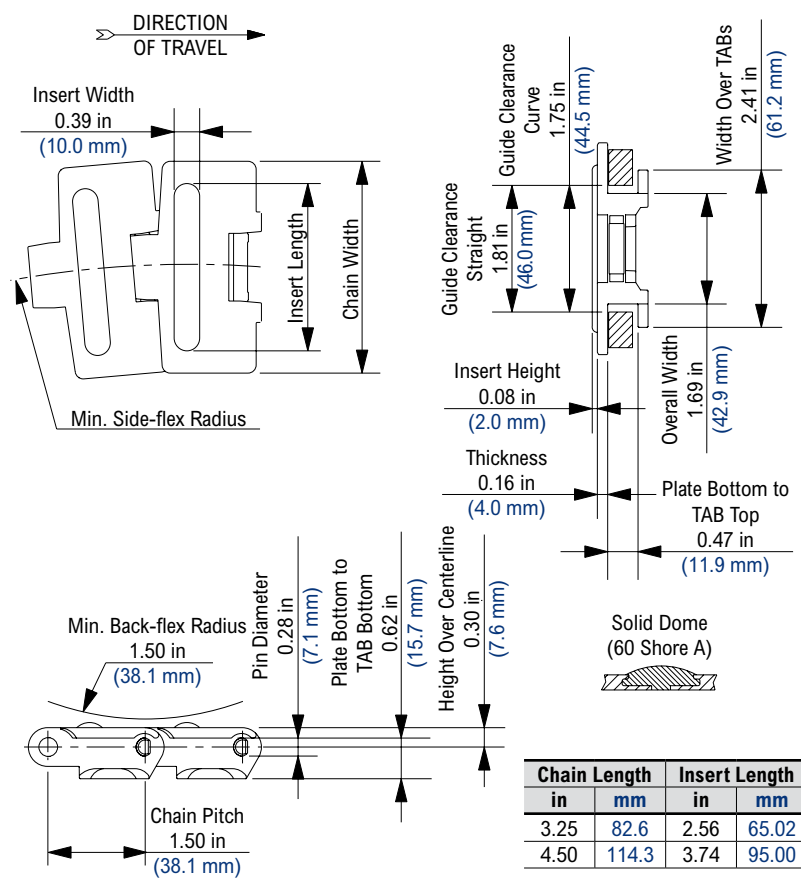


Photo shows 880 TAB RubberTop TableTop Chain molded in High Performance (HP) material with High Friction Inserts.



Chain Information

desc	Chain Width		Min. Side-flex Radius		Approximate Weight	
	in	mm	in	mm	lbs/ft	kg/m
3 1/4	3.25	82.6	18.00	457.2	0.63	0.94
4 1/2	4.50	114.3	24.00	609.6	0.73	1.09

Available Materials

Prefix	Chain Material	Standard Pin Material	Temperature						Chain Strength		FDA Approval
			Fahrenheit			Celsius					
			min	max		min	max		lbs	N	
			dry	wet		dry	wet				
Non-Standard Materials											
HP	High Performance	Stainless Steel	-40	180	150	-40	82	66	425	1,890	Yes
LF	Low Friction	Stainless Steel	-40	180	150	-40	82	66	425	1,890	Yes

Regulatory Information

The Food and Drug Administration (FDA) accepts certain materials for direct food contact. FDA approved material is compliant to FDA 21 CFR § 177. Rexnord, TableTop and HP are trademarks of Rexnord Corporation. All rights reserved.

Additional Notes

Non-Standard products are non-returnable. Minimum order quantity and additional setup charges may also apply. Stocked in 80 pitch, 10 ft (3.048 m) length strands. Thermoplastic pins are available on a made-to-order basis. Inserts may be spaced every pitch, every second pitch, etc. Chain strength is listed at room temperature. NR = Not Recommended. For additional material information, see material portfolio.

880 TAB BO

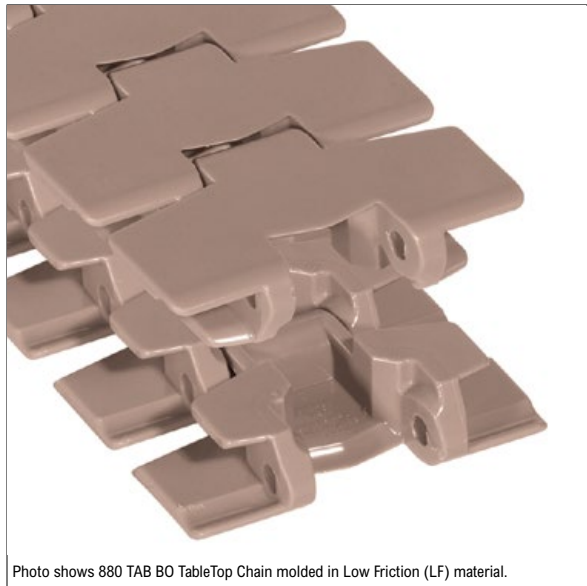
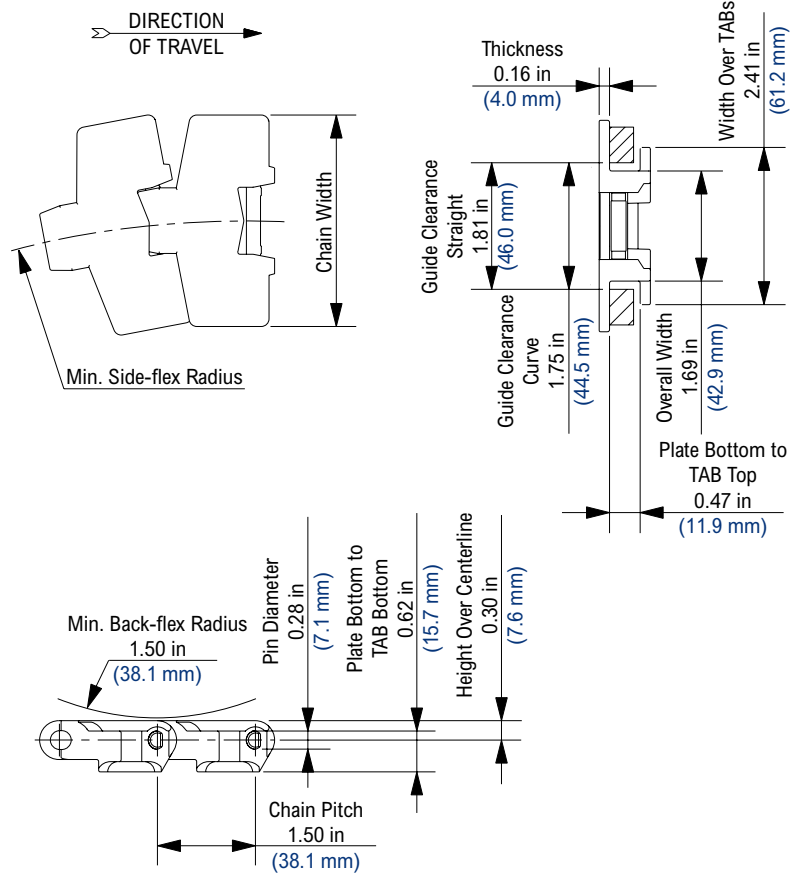


Photo shows 880 TAB BO TableTop Chain molded in Low Friction (LF) material.

Chain Information

Chain Width desc	Chain Width		Min. Side-flex Radius		Approximate Weight	
	in	mm	in	mm	lbs/ft	kg/m
3 1/4	3.25	82.6	7.87	199.9	0.64	0.95
4 1/2	4.50	114.3	7.87	199.9	0.74	1.10



Available Materials

Prefix	Chain Material	Standard Pin Material	Temperature						Chain Strength		FDA Approval
			Fahrenheit			Celsius			lbs	N	
			min	max		min	max				
Standard Materials											
HP	High Performance	Stainless Steel	-40	180	150	-40	82	66	425	1,890	Yes
LF	Low Friction	Stainless Steel	-40	180	150	-40	82	66	425	1,890	Yes
Non-Standard Materials											
AS	Anti-Static	Stainless Steel	0	180	NR	-18	82	NR	255	1,134	No
P	Chemical Resistant	Stainless Steel	0	180	140	-18	82	60	340	1,512	Yes
PS	Platinum Series	Stainless Steel	-40	180	150	-40	82	66	425	1,890	Yes

Regulatory Information

The Food and Drug Administration (FDA) accepts certain materials for direct food contact. FDA approved material is compliant to FDA 21 CFR § 177.

Rexnord, TableTop, Platinum Series, PS and HP are trademarks of Rexnord Corporation.

All rights reserved.

Additional Notes

Non-Standard products are non-returnable. Minimum order quantity and additional setup charges may also apply.

Stocked in 80 pitch, 10 ft (3.048 m) length strands.

Thermoplastic pins are available on a made-to-order basis.

Chain strength is listed at room temperature. NR = Not Recommended.

For additional material information, see material portfolio.

882 B

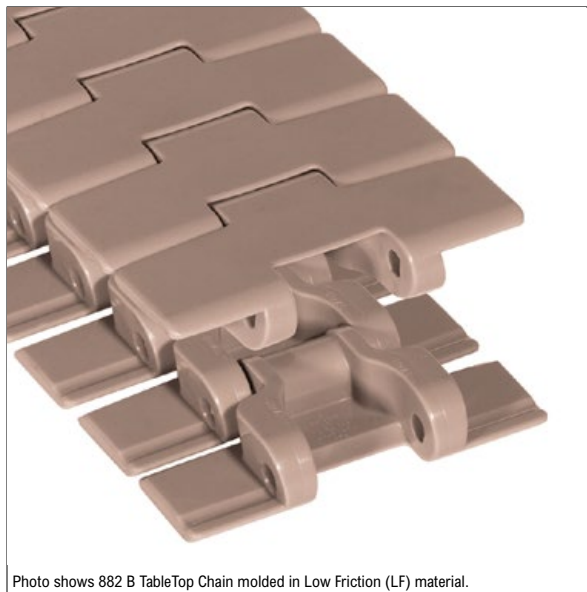
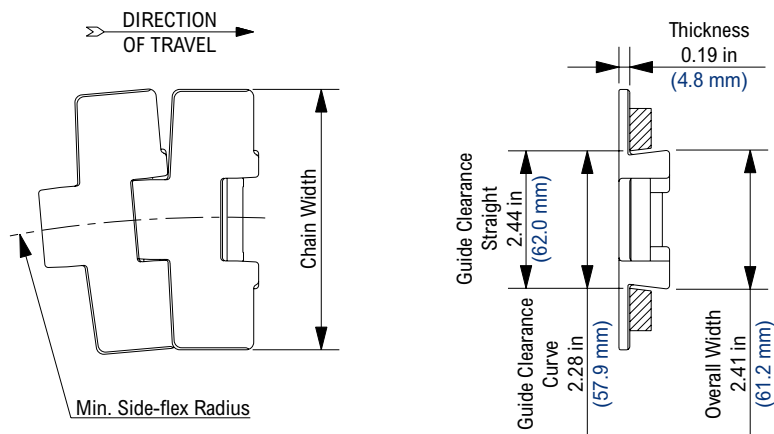
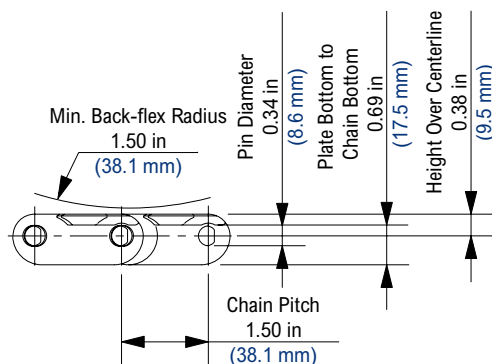


Photo shows 882 B TableTop Chain molded in Low Friction (LF) material.



Chain Information

Chain Width desc	Chain Width		Min. Side-flex Radius		Approximate Weight	
	in	mm	in	mm	lbs/ft	kg/m
4 1/2	4.50	114.3	24.00	609.6	1.30	1.94
7 1/2	7.50	190.5	24.00	609.6	1.60	2.38
10	10.00	254.0	24.00	609.6	1.90	2.83



Available Materials

Prefix	Chain Material	Standard Pin Material	Temperature						Chain Strength		FDA Approval
			Fahrenheit			Celsius					
			min	max		min	max		lbs	N	
Standard Materials											
HP	High Performance	Stainless Steel	-40	180	150	-40	82	66	625	2,780	Yes
LF	Low Friction	Stainless Steel	-40	180	150	-40	82	66	625	2,780	Yes
MLF	Medium Duty Low Friction	Stainless Steel	-40	180	150	-40	82	66	625	2,780	Yes
Non-Standard Materials											
WX	Green Abrasion Resistant Polyamide	Stainless Steel	-40	220	NR	-40	104	NR	625	2,780	No

Regulatory Information

The Food and Drug Administration (FDA) accepts certain materials for direct food contact. FDA approved material is compliant to FDA 21 CFR § 177.

Rexnord, TableTop, and HP are trademarks of Rexnord Corporation.

All rights reserved.

Additional Notes

Non-Standard products are non-returnable. Minimum order quantity and additional setup charges may also apply.

Stocked in 80 pitch, 10 ft (3.048 m) length strands.

Thermoplastic pins are available on a made-to-order basis.

MLF is standard in 4.5 in (144.3 mm) and 7.5 in (190.5 mm) widths only.

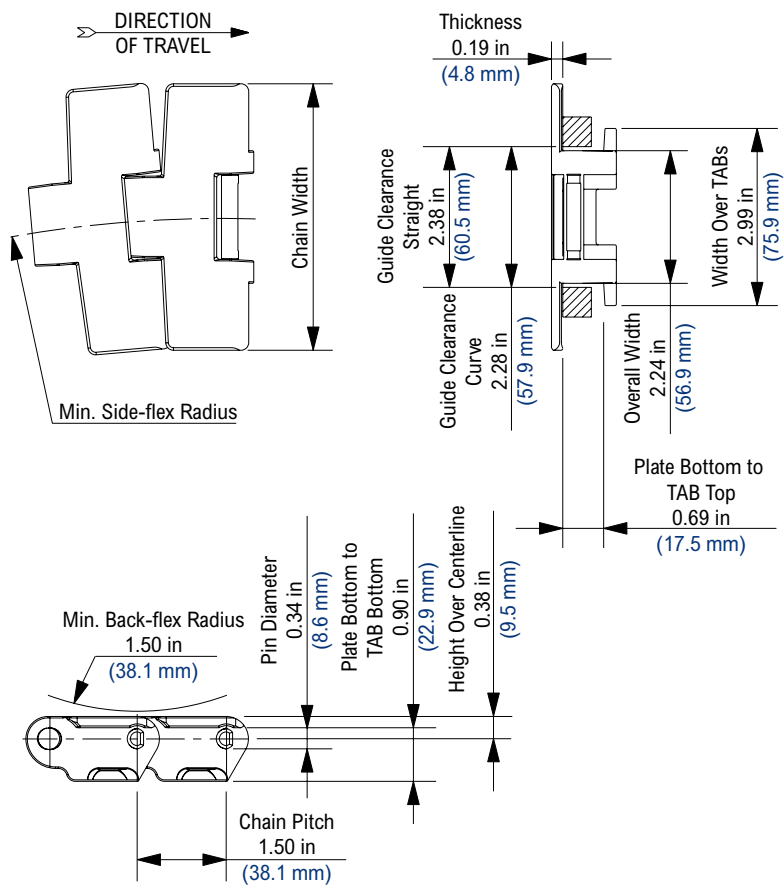
Chain strength is listed at room temperature. NR = Not Recommended.

For additional material information, see material portfolio.

882 TAB



Photo shows 882 TAB TableTop Chain molded in Low Friction (LF) material.



Chain Information

desc	Chain Width		Min. Side-flex Radius		Approximate Weight	
	in	mm	in	mm	lbs/ft	kg/m
3 1/4	3.25	82.6	24.00	609.6	1.25	1.86
4 1/2	4.50	114.3	24.00	609.6	1.33	1.98
6	6.00	152.4	24.00	609.6	1.48	2.20
7 1/2	7.50	190.5	24.00	609.6	1.63	2.43
10	10.00	254.0	24.00	609.6	1.90	2.83
12	12.00	304.8	24.00	609.6	2.13	3.17

Available Materials

Prefix	Chain Material	Standard Pin Material	Temperature						Chain Strength		FDA Approval
			Fahrenheit			Celsius					
			min	max		min	max		lbs	N	
Standard Materials											
DKA	Abrasion Resistant Composite	Stainless Steel	0	180	150	-18	82	66	625	2,780	Yes
Dry-PT	Dry PET Low Friction	Stainless Steel	-40	180	150	-40	82	66	625	2,780	Yes
HP	High Performance	Stainless Steel	-40	180	150	-40	82	66	625	2,780	Yes
LF	Low Friction	Stainless Steel	-40	180	150	-40	82	66	625	2,780	Yes
MLF	Medium Duty Low Friction	Stainless Steel	-40	180	150	-40	82	66	625	2,780	Yes
PSX	Platinum Series X	Stainless Steel	-40	180	150	-40	82	66	625	2,780	Yes
Non-Standard Materials											
AS	Anti-Static	Stainless Steel	0	180	NR	-18	82	NR	375	1,668	No
BSM	Black Cut Resistant	Stainless Steel	-40	180	150	-40	82	66	625	2,780	Yes
BWR	Black Wear Resistant	Stainless Steel	-40	180	NR	-40	82	NR	750	3,336	No
CR	Extreme Chemical Resistant	Stainless Steel	40	240	212	4	116	100	500	2,224	Yes
D	Plain Acetal	Stainless Steel	-40	180	150	-40	82	66	625	2,780	Yes
DUV	Plain Acetal Ultraviolet Resistant	Stainless Steel	0	180	150	-18	82	66	625	2,780	No
HS	Heat Stabilized	Stainless Steel	-40	220	212	-40	104	100	625	2,780	No
P	Chemical Resistant	Stainless Steel	0	180	140	-18	82	60	500	2,224	Yes
PS	Platinum Series	Stainless Steel	-40	180	150	-40	82	66	625	2,780	Yes
WHP	White High Performance	Stainless Steel	-40	180	150	-40	82	66	625	2,780	Yes
WLF	White Low Friction	Stainless Steel	-40	180	150	-40	82	66	625	2,780	Yes
WX	Green Abrasion Resistant Polyamide	Stainless Steel	-40	220	NR	-40	104	NR	625	2,780	No

Regulatory Information

The Food and Drug Administration (FDA) accepts certain materials for direct food contact. FDA approved material is compliant to FDA 21 CFR § 177. Rexnord, TableTop, Dry-PT, Platinum Series, Platinum Series X, HP, PS and PSX are trademarks of Rexnord Corporation. All rights reserved.

Additional Notes

Non-Standard products are non-returnable. Minimum order quantity and additional setup charges may also apply. Stocked in 80 pitch, 10 ft (3.048 m) length strands. Thermoplastic pins are available on a made-to-order basis. Chain strength is listed at room temperature. NR = Not Recommended. For additional material information, see material portfolio.

882 TAB SuperGrip

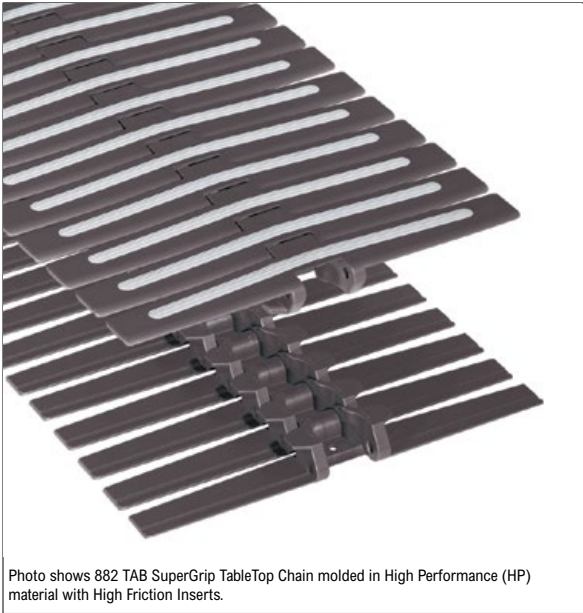
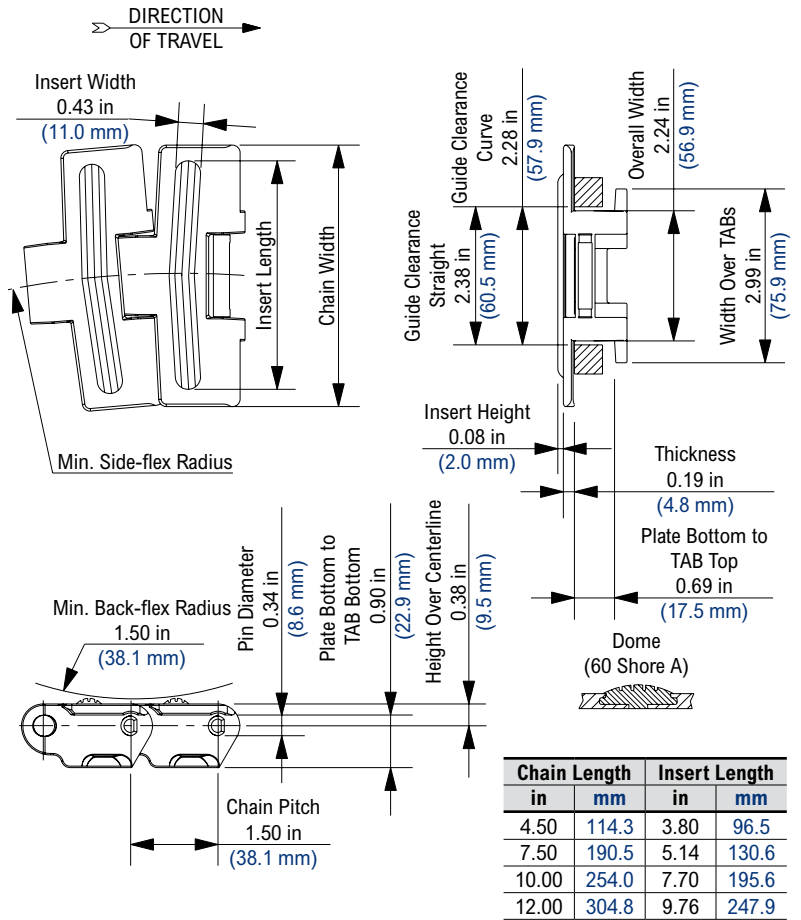


Photo shows 882 TAB SuperGrip TableTop Chain molded in High Performance (HP) material with High Friction Inserts.



Chain Information

desc	Chain Width		Min. Side-flex Radius		Approximate Weight	
	in	mm	in	mm	lbs/ft	kg/m
4 1/2	4.50	114.3	24.00	609.6	1.35	2.01
7 1/2	7.50	190.5	24.00	609.6	1.64	2.44
10	10.00	254.0	24.00	609.6	1.94	2.89
12	12.00	304.8	24.00	609.6	2.30	3.43

Available Materials

Prefix	Chain Material	Standard Pin Material	Temperature						Chain Strength		FDA Approval
			Fahrenheit			Celsius					
			min	max		min	max		lbs	N	
			dry	wet		dry	wet				
Standard Materials											
HP	High Performance	Stainless Steel	-40	180	150	-40	82	66	625	2,780	Yes

Regulatory Information

The Food and Drug Administration (FDA) accepts certain materials for direct food contact. FDA approved material is compliant to FDA 21 CFR § 177. Rexnord, TableTop and HP are trademarks of Rexnord Corporation. All rights reserved.

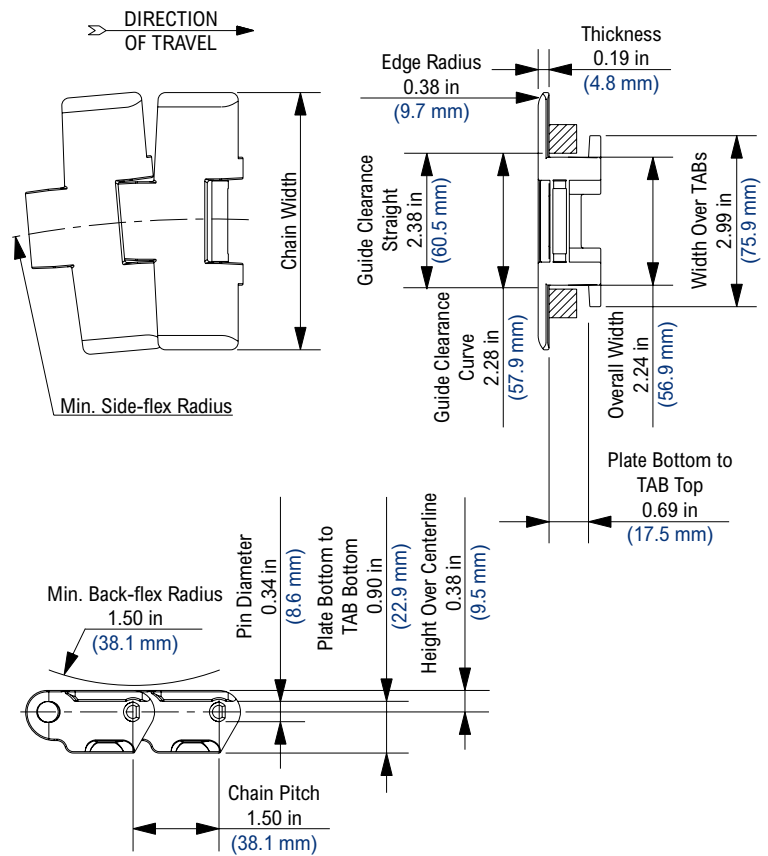
Additional Notes

Stocked in 80 pitch, 10 ft (3.048 m) length strands. Thermoplastic pins are available on a made-to-order basis. Inserts may be spaced at every pitch, every second pitch, etc. Chain strength is listed at room temperature. NR = Not Recommended. For additional material information, see material portfolio.

882 TAB R



Photo shows 882 TAB R TableTop Chain with Radius-Edge molded in High Performance (HP) material.



Chain Information

desc	Chain Width		Min. Side-flex Radius		Approximate Weight	
	in	mm	in	mm	lbs/ft	kg/m
3 1/4	3.25	82.6	24.00	609.6	1.25	1.86
4 1/2	4.50	114.3	24.00	609.6	1.33	1.98
7 1/2	7.50	190.5	24.00	609.6	1.63	2.43
10	10.00	254.0	24.00	609.6	1.90	2.83
12	12.00	304.8	24.00	609.6	2.13	3.17

Available Materials

Prefix	Chain Material	Standard Pin Material	Temperature						Chain Strength		FDA Approval
			Fahrenheit			Celsius					
			min	max		min	max		lbs	N	
			dry	wet		dry	wet				
Standard Materials											
HP	High Performance	Stainless Steel	-40	180	150	-40	82	66	625	2,780	Yes
Non-Standard Materials											
LF	Low Friction	Stainless Steel	-40	180	150	-40	82	66	625	2,780	Yes

Regulatory Information

The Food and Drug Administration (FDA) accepts certain materials for direct food contact. FDA approved material is compliant to FDA 21 CFR § 177. Rexnord, TableTop and HP are trademarks of Rexnord Corporation. All rights reserved.

Additional Notes

Non-Standard products are non-returnable. Minimum order quantity and additional setup charges may also apply. Stocked in 80 pitch, 10 ft (3.048 m) length strands. Thermoplastic pins are available on a made-to-order basis. Chain strength is listed at room temperature. NR = Not Recommended. For additional material information, see material portfolio

882 TAB LBP

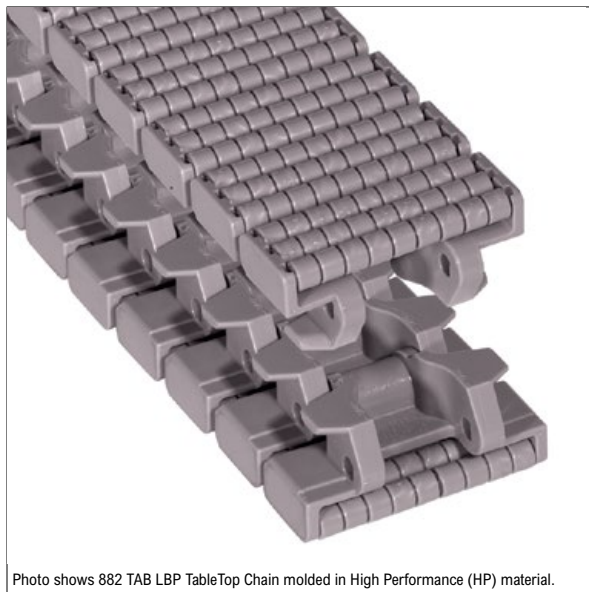
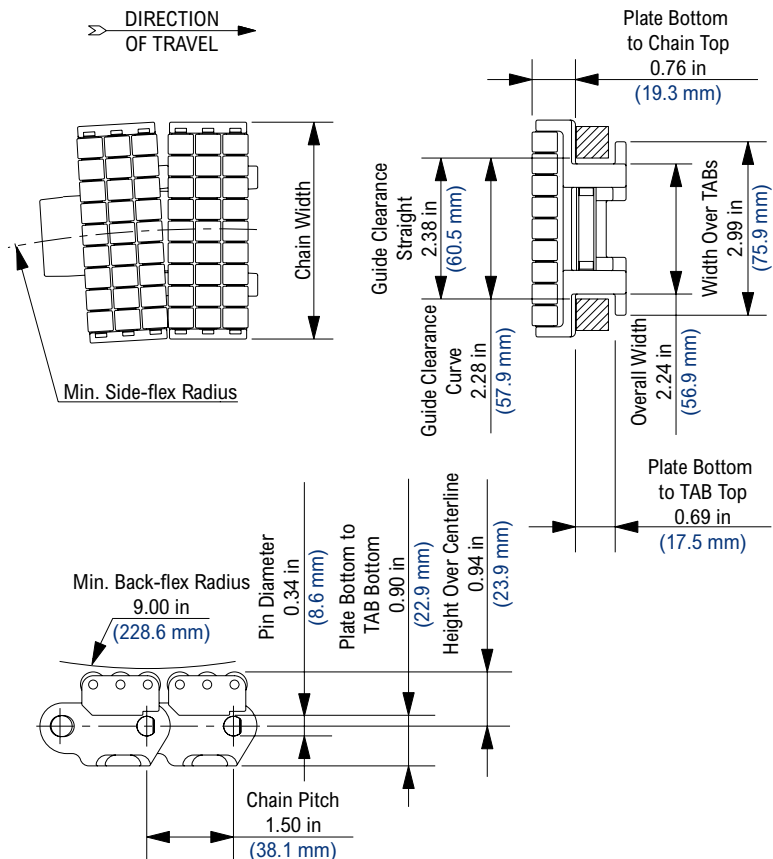


Photo shows 882 TAB LBP TableTop Chain molded in High Performance (HP) material.

Chain Information

desc	Chain Width		Min. Side-flex Radius		Approximate Weight	
	in	mm	in	mm	lbs/ft	kg/m
3 3/4	3.75	95.3	26.25	666.8	2.50	3.73
7 1/2	7.50	190.5	24.00	609.6	3.80	5.66



Available Materials

Prefix	Chain Material	Standard Pin Material	Temperature						Chain Strength		FDA Approval
			Fahrenheit			Celsius					
			min	max		min	max		lbs	N	
Standard Materials											
HP	High Performance	Stainless Steel	-40	180	150	-40	82	66	625	2,780	Yes
LF	Low Friction	Stainless Steel	-40	180	150	-40	82	66	625	2,780	Yes
Non-Standard Materials											
WLF	White Low Friction	Stainless Steel	-40	180	150	-40	82	66	625	2,780	Yes

Regulatory Information

The Food and Drug Administration (FDA) accepts certain materials for direct food contact. FDA approved material is compliant to FDA 21 CFR § 177.

Rexnord, TableTop and HP are trademarks of Rexnord Corporation.

All rights reserved.

U.S. Patents: 4629063, 4809846, D332213, 5219065, 4436200

Additional Notes

Non-Standard products are non-returnable. Minimum order quantity and additional setup charges may also apply.

Stocked in 80 pitch, 10 ft (3.048 m) length strands.

LBP882TK750 is only available in HP material.

Typical coefficient of friction between chain and product = 0.07.

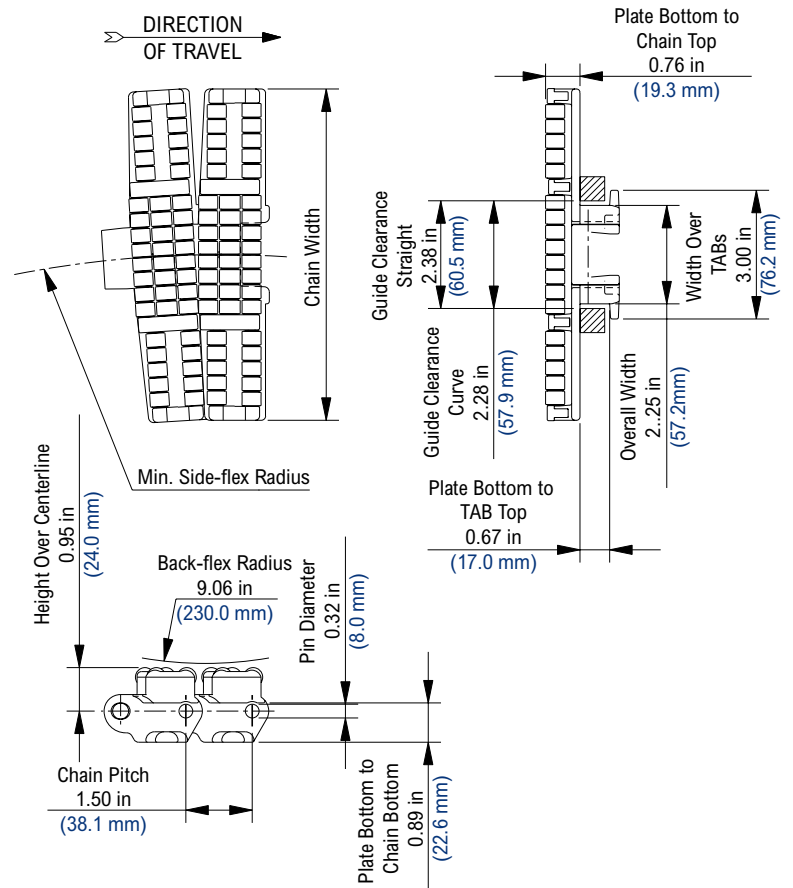
Chain strength is listed at room temperature. NR = Not Recommended.

For additional material information, see material portfolio.

HDF LBP



Photo shows Rexnord HDF750LBP TableTop Chain molded in Internally Lubricated Polyacetal (XLA) material.



Chain Information

Chain Width desc	Chain Width		Min. Side-flex Radius		Approximate Weight	
	in	mm	in	mm	lbs/ft	kg/m
3 3/4	3.75	95.3	26.25	666.8	2.25	3.35
7 1/2	7.50	190.5	24.00	609.6	3.03	4.51
10	10.00	254.0	24.00	609.6	3.84	5.72
12	12.00	304.8	26.77	680.0	4.29	6.39

Available Materials

Prefix	Chain Material	Standard Pin Material	Temperature						Chain Strength		FDA Approval
			Fahrenheit			Celsius					
			min	max		min	max		lbs	N	
				dry	wet		dry	wet			
Standard Materials											
XLA	Internally Lubricated Polyacetal	Stainless Steel	-40	180	150	-40	82	66	625	2,780	Yes

Regulatory Information

The Food and Drug Administration (FDA) accepts certain materials for direct food contact. FDA approved material is compliant to FDA 21 CFR § 177. Rexnord and TableTop are trademarks of Rexnord Corporation. All rights reserved.

Additional Notes

Stocked in 40 pitch, 5 ft (1.524 m) length strands. Typical coefficient of friction between chain and product = 0.07. Chain strength is listed at room temperature. NR = Not Recommended. For additional material information, see material portfolio.

882 TAB G

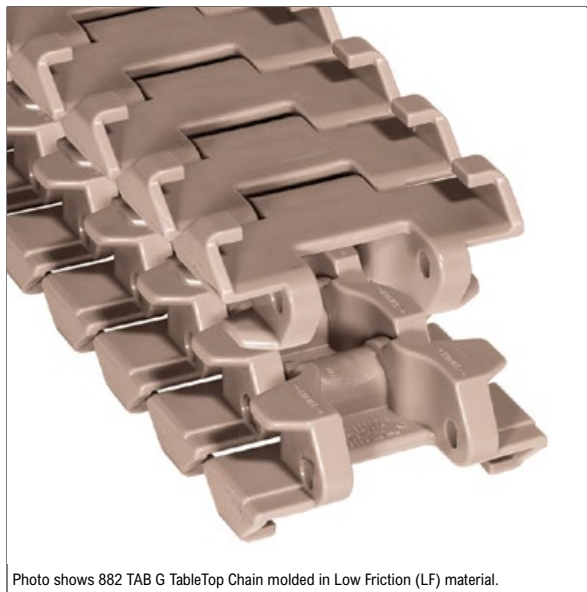
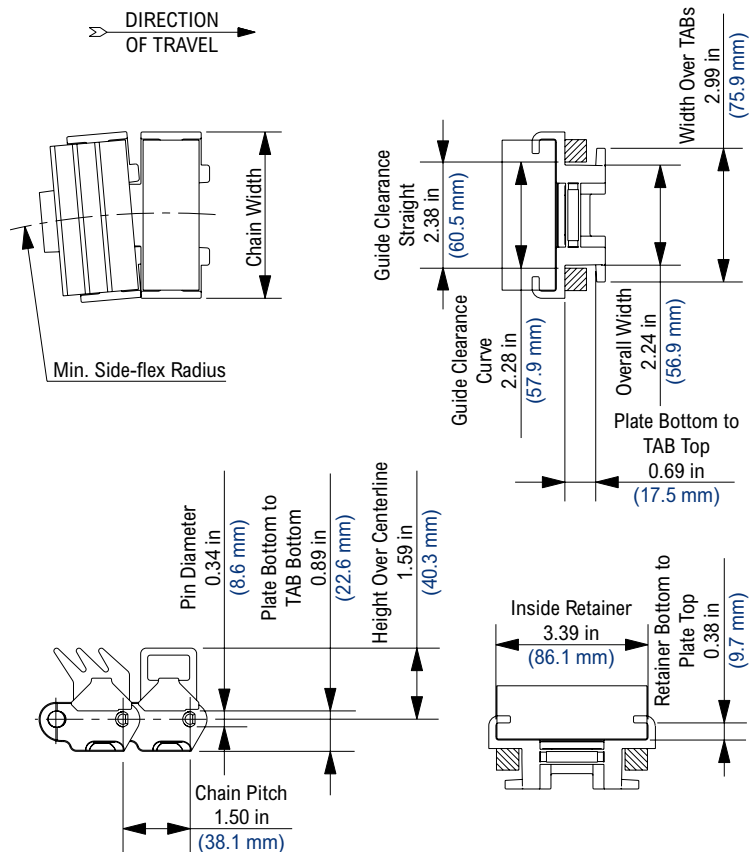


Photo shows 882 TAB G TableTop Chain molded in Low Friction (LF) material.

Chain Information

Chain Width			Min. Side-flex Radius		Approximate Weight	
desc	in	mm	in	mm	lbs/ft	kg/m
3 3/4	3.75	95.3	24.00	609.6	1.30	1.94



Available Materials

Prefix	Chain Material	Standard Pin Material	Temperature						Chain Strength		FDA Approval
			Fahrenheit			Celsius			lbs	N	
			min	max		min	max				
	dry	wet		dry	wet		dry	wet			
Standard Materials											
LF	Low Friction	Stainless Steel	-40	180	150	-40	82	66	625	2,780	Yes
Non-Standard Materials											
HP	High Performance	Stainless Steel	-40	180	150	-40	82	66	625	2,780	Yes

Regulatory Information

The Food and Drug Administration (FDA) accepts certain materials for direct food contact. FDA approved material is compliant to FDA 21 CFR § 177. Rexnord, TableTop, and HP are trademarks of Rexnord Corporation. All rights reserved. U.S. Patents: 4629063, 4809846, D332213, 5219065, 4436200

Additional Notes

Non-Standard products are non-returnable. Minimum order quantity and additional setup charges may also apply. Stocked in 80 pitch, 10 ft (3.048 m) length strands. Can be assembled with "J" or "D" style gripper attachments; see accessories section for more information. Chain strength is listed at room temperature. NR = Not Recommended. For additional material information, see material portfolio.

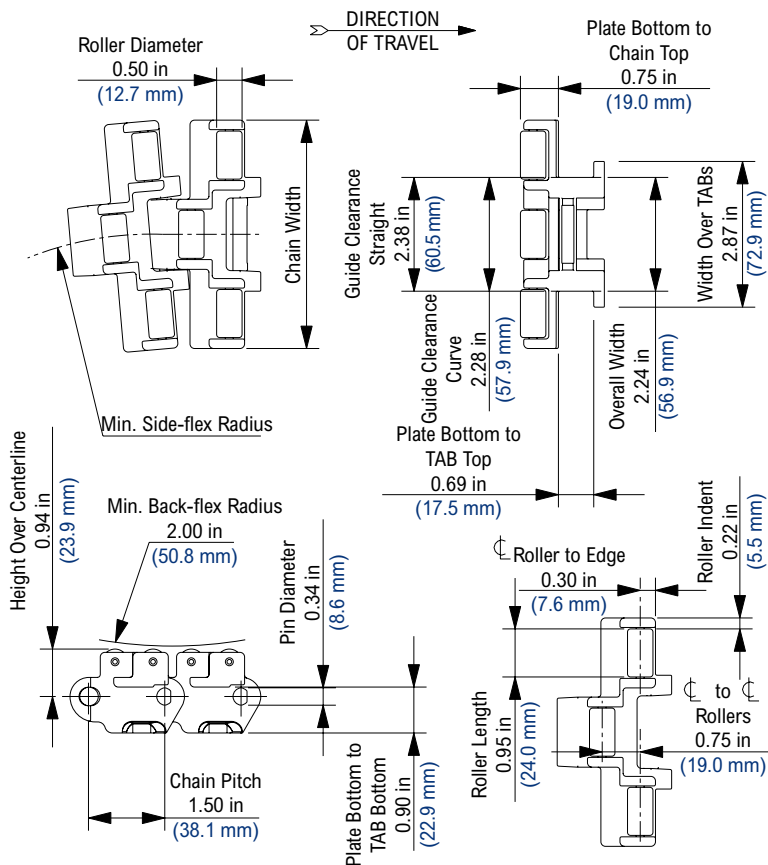
883 TAB LBP



Photo shows 883 TAB LBP TableTop Chain with Low Backline Pressure Rollers molded in Low Friction (LF) material.

Chain Information

Chain Width	Chain Width		Min. Side-flex Radius		Approximate Weight	
	desc	in	mm	in	mm	lbs/ft
4 1/2	4.50	114.3	24.00	609.6	1.70	2.53
7 1/2	7.50	190.5	24.00	609.6	2.30	3.43



Available Materials

Prefix	Chain Material	Standard Pin Material	Temperature						Chain Strength		FDA Approval
			Fahrenheit			Celsius			lbs	N	
			min	max		min	max				
	dry	wet		dry	wet		dry	wet			
Standard Materials											
LF	Low Friction	Stainless Steel	-40	180	150	-40	82	66	625	2,780	Yes
HP	High Performance	Stainless Steel	-40	180	150	-40	82	66	625	2,780	Yes

Regulatory Information

The Food and Drug Administration (FDA) accepts certain materials for direct food contact. FDA approved material is compliant to FDA 21 CFR § 177.

Rexnord, TableTop and HP are trademarks of Rexnord Corporation.

All rights reserved.

U.S. Patents: D289497, D289606, 4436200

Additional Notes

Stocked in 80 pitch, 10 ft (3.048 m) length strands.

Typical coefficient of friction between chain and product = 0.07.

Chain strength is listed at room temperature. NR = Not Recommended.

For additional material information, see material portfolio.

963 (S)

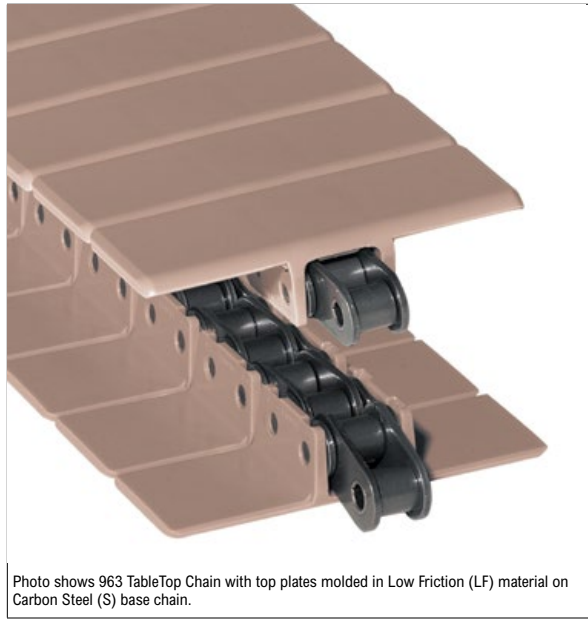
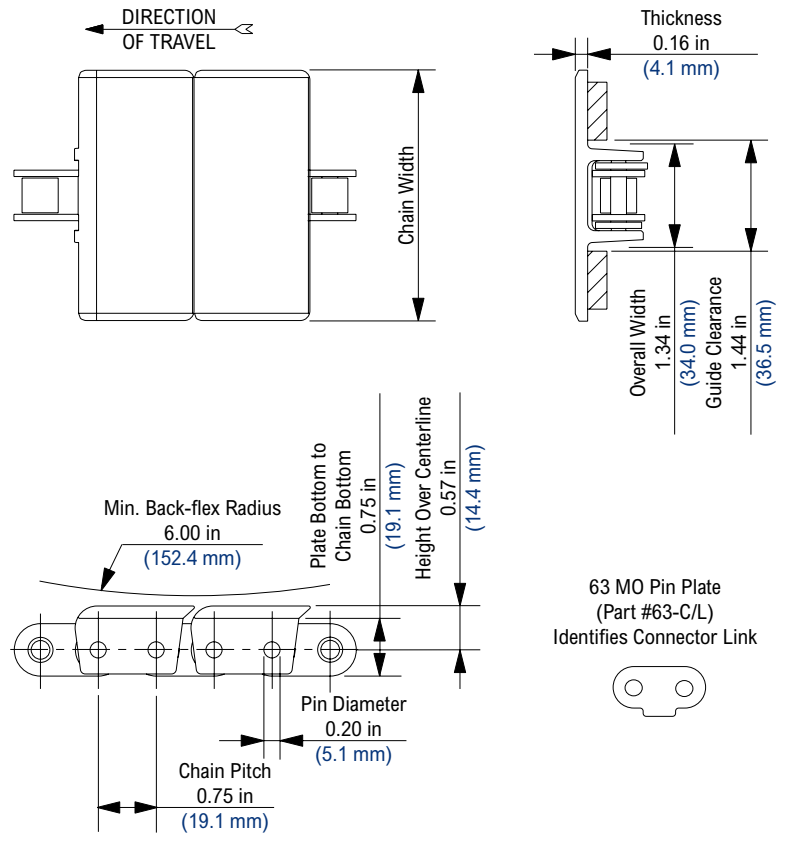


Photo shows 963 TableTop Chain with top plates molded in Low Friction (LF) material on Carbon Steel (S) base chain.



Chain Information

Chain Width desc	Chain Width		Min. Side-flex Radius		Approximate Weight	
	in	mm	in	mm	lbs/ft	kg/m
3 1/4	3.25	82.6	-	-	1.41	2.10
4 1/2	4.50	114.3	-	-	1.50	2.24
6	6.00	152.4	-	-	1.70	2.53
7 1/2	7.50	190.5	-	-	1.80	2.68

Available Materials

Prefix	Top Plate Material	Base Chain Material	Temperature						Chain Strength		FDA Approval
			Fahrenheit			Celsius					
			min	max		min	max		lbs	N	
			dry	wet		dry	wet				
Standard Materials											
D	Plain Acetal	Carbon Steel	-40	180	NR	-40	82	NR	1,000	4,448	No
LF	Low Friction	Carbon Steel	-40	180	NR	-40	82	NR	1,000	4,448	No
Non-Standard Materials											
BWR	Black Wear Resistant	Carbon Steel	-40	180	NR	-40	82	NR	1,000	4,448	No
HP	High Performance	Carbon Steel	-40	180	NR	-40	82	NR	1,000	4,448	No
P	Chemical Resistant	Carbon Steel	0	180	NR	-18	82	NR	1,000	4,448	No

Regulatory Information

The Food and Drug Administration (FDA) accepts certain materials for direct food contact. FDA approved material is compliant to FDA 21 CFR § 177. Rexnord, TableTop and HP are trademarks of Rexnord Corporation. All rights reserved.

Additional Notes

Non-Standard products are non-returnable. Minimum order quantity and additional setup charges may also apply. Stocked in 160 pitch, 10 ft (3.048 m) length strands. Uses 63 carbon steel (S) base chain (Part #63-BC). Chain runs on ANSI No. 60 sprockets. Plain acetal (D) top plates are not stocked for the 2-1/4 in (57.2 mm) width. Chain breakers available. Chain strength is listed at room temperature. NR = Not Recommended. For additional material information, see material portfolio.



Part #SK12776

963 (SS)

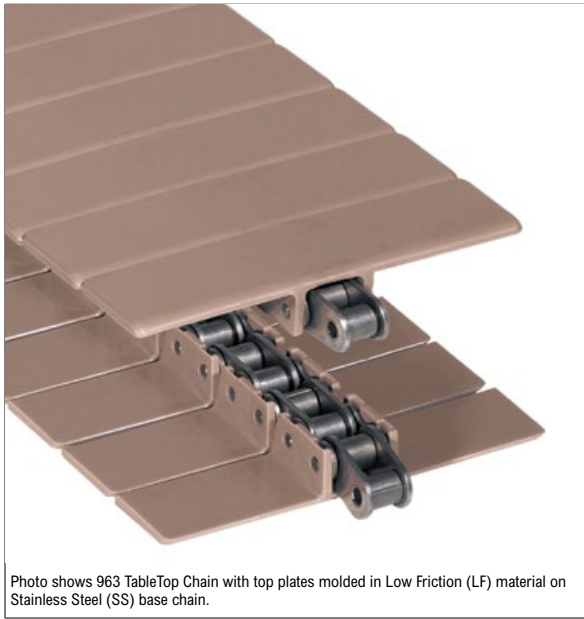
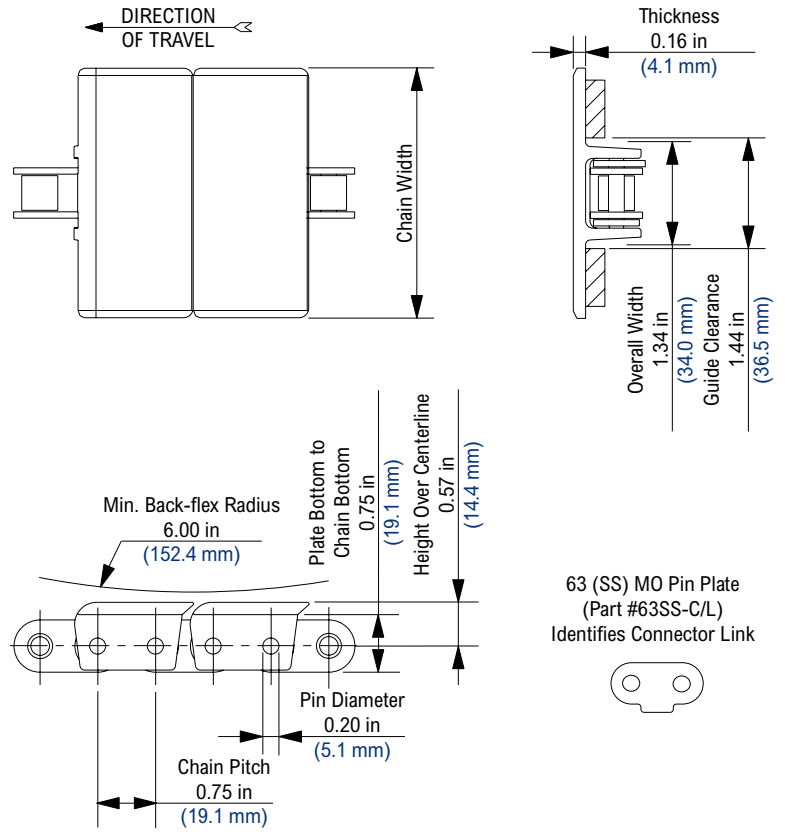
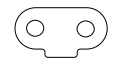


Photo shows 963 TableTop Chain with top plates molded in Low Friction (LF) material on Stainless Steel (SS) base chain.



63 (SS) MO Pin Plate
(Part #63SS-C/L)
Identifies Connector Link



Chain Information

Chain Width	Chain Width		Min. Side-flex Radius		Approximate Weight	
	desc	in	mm	in	mm	lbs/ft
3 1/4	3.25	82.6	-	-	1.41	2.10
4 1/2	4.50	114.3	-	-	1.50	2.24
6	6.00	152.4	-	-	1.70	2.53
7 1/2	7.50	190.5	-	-	1.80	2.68

Available Materials

Prefix	Top Plate Material	Base Chain Material	Temperature						Chain Strength		FDA Approval
			Fahrenheit			Celsius			lbs	N	
			min	max		min	max				
			dry	wet		dry	wet				
Standard Materials											
D	Plain Acetal	Stainless Steel	-40	180	150	-40	82	66	750	3,336	Yes
LF	Low Friction	Stainless Steel	-40	180	150	-40	82	66	750	3,336	Yes
Non-Standard Materials											
BWR	Black Wear Resistant	Stainless Steel	-40	180	NR	-40	82	NR	750	3,336	No
HP	High Performance	Stainless Steel	-40	180	150	-40	82	66	750	3,336	Yes
P	Chemical Resistant	Stainless Steel	0	180	140	-18	82	60	750	3,336	Yes

Regulatory Information

The Food and Drug Administration (FDA) accepts certain materials for direct food contact. FDA approved material is compliant to FDA 21 CFR § 177. Rexnord, TableTop and HP are trademarks of Rexnord Corporation. All rights reserved.

Additional Notes

Non-Standard products are non-returnable. Minimum order quantity and additional setup charges may also apply. Stocked in 160 pitch, 10 ft (3.048 m) length strands. Uses 63 stainless steel (SS) base chain (Part #63SS-BC). Chain runs on ANSI No. 60 sprockets. Plain acetal (D) top plates are not stocked for the 2-1/4 in (57.2 mm) width. Chain breakers available. Chain strength is listed at room temperature. NR = Not Recommended. For additional material information, see material portfolio.



Part #SK12776

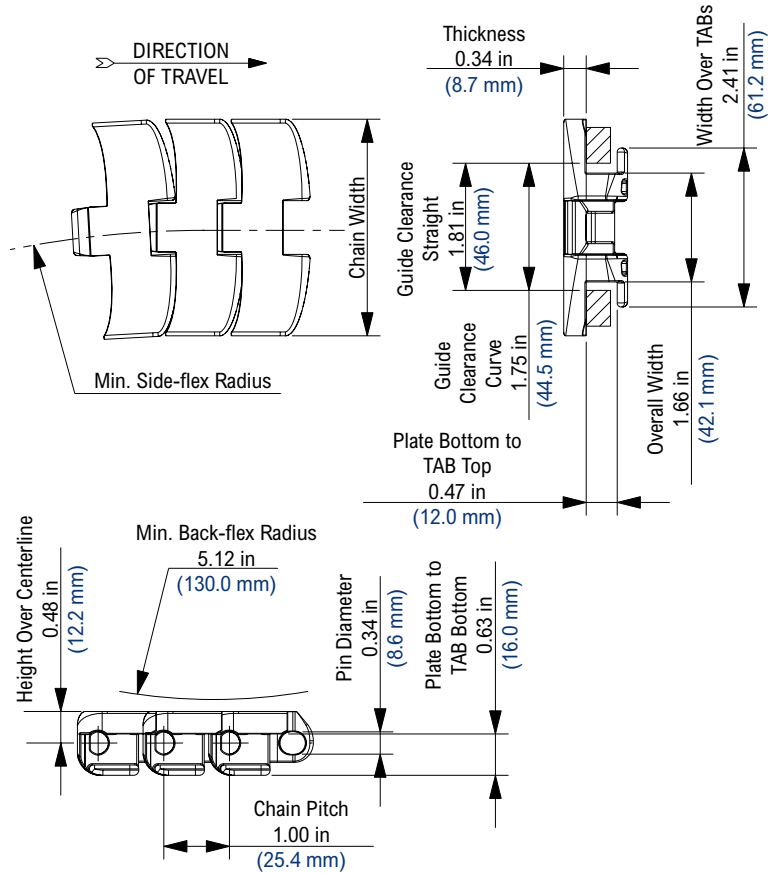
1050 FT TAB



Photo shows 1050 FT TAB TableTop Chain molded in High Performance (HP) material.

Chain Information

Chain Width desc	Chain Width		Min. Side-flex Radius		Approximate Weight	
	in	mm	in	mm	lbs/ft	kg/m
84MM	3.31	84.0	19.69	500.1	1.25	1.86



Available Materials

Prefix	Chain Material	Standard Pin Material	Temperature						Chain Strength		FDA Approval
			Fahrenheit			Celsius					
			min	max		min	max		lbs	N	
Standard Materials											
HP	High Performance	Stainless Steel	-40	180	150	-40	82	66	425	1,890	Yes
Non-Standard Materials											
PS	Platinum Series	Stainless Steel	-40	180	150	-40	82	66	425	1,890	Yes

Regulatory Information

The Food and Drug Administration (FDA) accepts certain materials for direct food contact. FDA approved material is compliant to FDA 21 CFR § 177. Rexnord, TableTop, Platinum Series, HP, PS and Magnetflex are trademarks of Rexnord Corporation. All rights reserved. U.S. Patents: 5678682, EP0700843

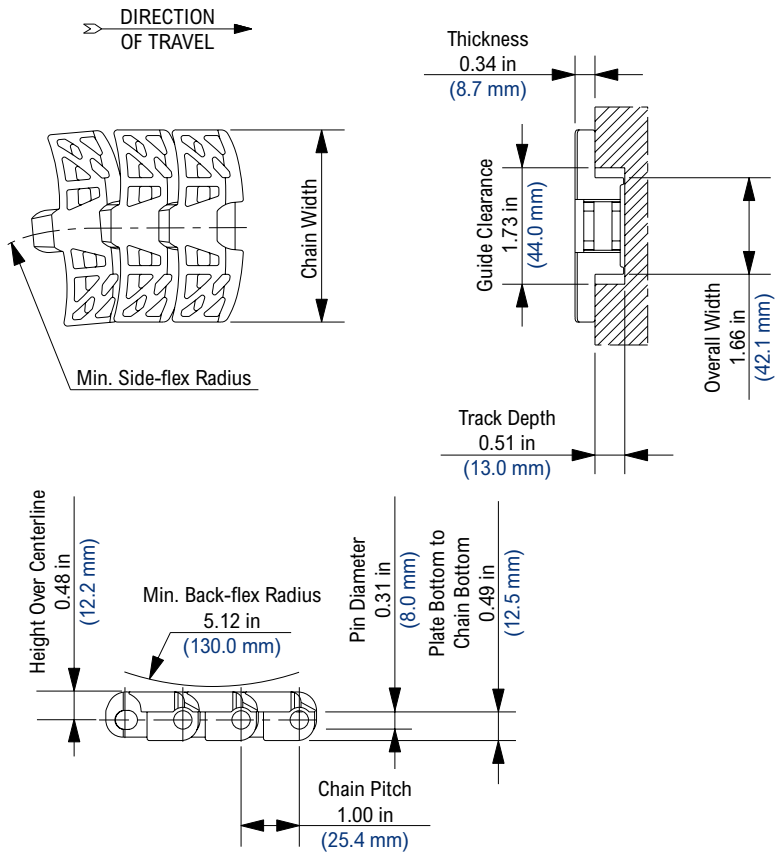
Additional Notes

Non-Standard products are non-returnable. Minimum order quantity and additional setup charges may also apply. Stocked in 120 pitch, 10 ft (3.048 m) length strands. Must be used with TAB corner tracks for side-flexing applications. Chain strength is listed at room temperature. NR = Not Recommended. For additional material information, see material portfolio.

1050 FGM



Photo shows 1050 FGM TableTop Chain molded in High Performance (HP) material.



Chain Information

Chain Width	Chain Width		Min. Side-flex Radius		Approximate Weight	
	in	mm	in	mm	lbs/ft	kg/m
84MM	3.31	84.0	19.69	500.1	1.03	1.53

Available Materials

Prefix	Chain Material	Standard Pin Material	Temperature						Chain Strength		FDA Approval
			Fahrenheit			Celsius					
			min	max		min	max		lbs	N	
			dry	wet		dry	wet				
Standard Materials											
HP	High Performance	Stainless Steel	-40	180	150	-40	82	66	425	1,890	Yes
Non-Standard Materials											
XLG	Low Friction Green	Stainless Steel	-40	180	150	-40	82	66	425	1,890	Yes

Regulatory Information

The Food and Drug Administration (FDA) accepts certain materials for direct food contact. FDA approved material is compliant to FDA 21 CFR § 177. Rexnord, TableTop, HP and Magnetflex are trademarks of Rexnord Corporation. All rights reserved. U.S. Patents: 5678682, EP0700843

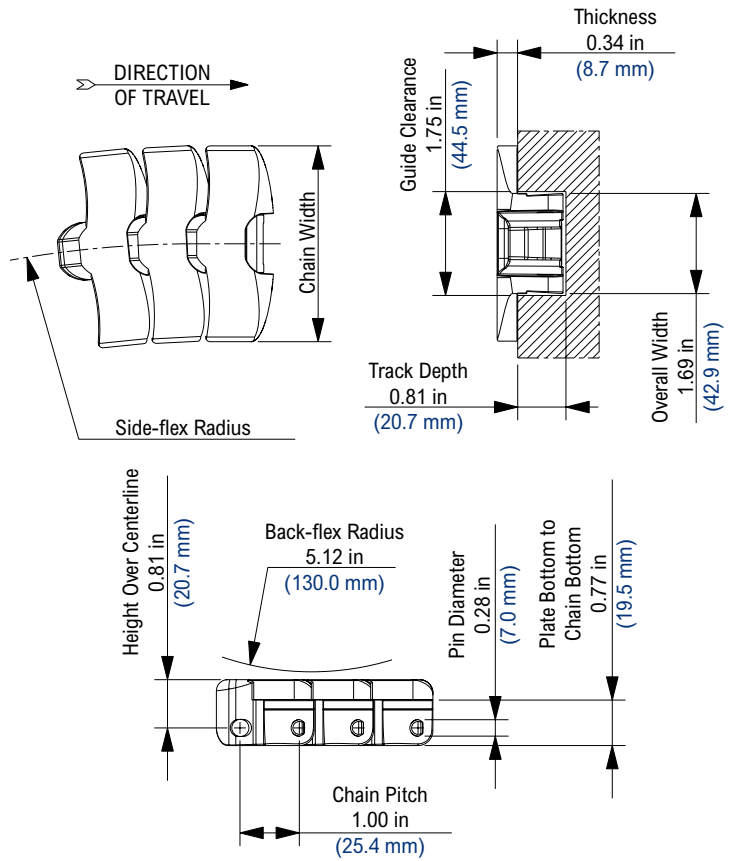
Additional Notes

Non-Standard products are non-returnable. Minimum order quantity and additional setup charges may also apply. Stocked in 120 pitch, 10 ft (3.048 m) length strands. Must be used with Magnetflex corner tracks for side-flexing applications. Open area = 15%. Chain strength is listed at room temperature. NR = Not Recommended. For additional material information, see material portfolio.

1050 FTLPC



Photo shows 1050 FTLPC TableTop Chain with Low Pin Centerline molded in High Performance (HP) material.



Chain Information

Chain Width	Chain Width		Min. Side-flex Radius		Approximate Weight	
	desc	in	mm	in	mm	lbs/ft
3 1/4	3.25	82.6	18.00	457.2	1.25	1.86
84MM	3.31	84.0	19.69	500.1	1.25	1.86
4 1/2	4.50	114.3	24.00	609.6	1.41	2.10
7 1/2	7.50	190.5	24.00	609.6	1.84	2.74

Available Materials

Prefix	Chain Material	Standard Pin Material	Temperature						Chain Strength		FDA Approval
			Fahrenheit			Celsius			lbs	N	
			min	max		min	max				
Standard Materials											
Dry-PT	Dry PET Low Friction	Stainless Steel	-40	180	150	-40	82	66	425	1,890	Yes
HP	High Performance	Stainless Steel	-40	180	150	-40	82	66	425	1,890	Yes
Non-Standard Materials											
P	Chemical Resistant	Stainless Steel	0	180	140	-18	82	60	340	1,512	Yes
PS	Platinum Series	Stainless Steel	-40	180	150	-40	82	66	425	1,890	Yes

Regulatory Information

The Food and Drug Administration (FDA) accepts certain materials for direct food contact. FDA approved material is compliant to FDA 21 CFR § 177.

Rexnord, TableTop, Dry-PT, Platinum Series, HP, PS and Magnetflex are trademarks of Rexnord Corporation.

All rights reserved.

U.S. Patents: 5678682, EP0700843, 5176247

Additional Notes

Non-Standard products are non-returnable. Minimum order quantity and additional setup charges may also apply.

Stocked in 120 pitch, 10 ft (3.048 m) length strands.

Must be used with LPC corner tracks for side-flexing applications. Rexnord curves are recommended for use with these chains because they have the proper profile to maintain chain hold-down.

Low Pin Centerline (LPC) chain is retained in the corners without the use of bevels, TAB's or magnets, and can be lifted vertically out of the corners for cleaning and/or maintenance.

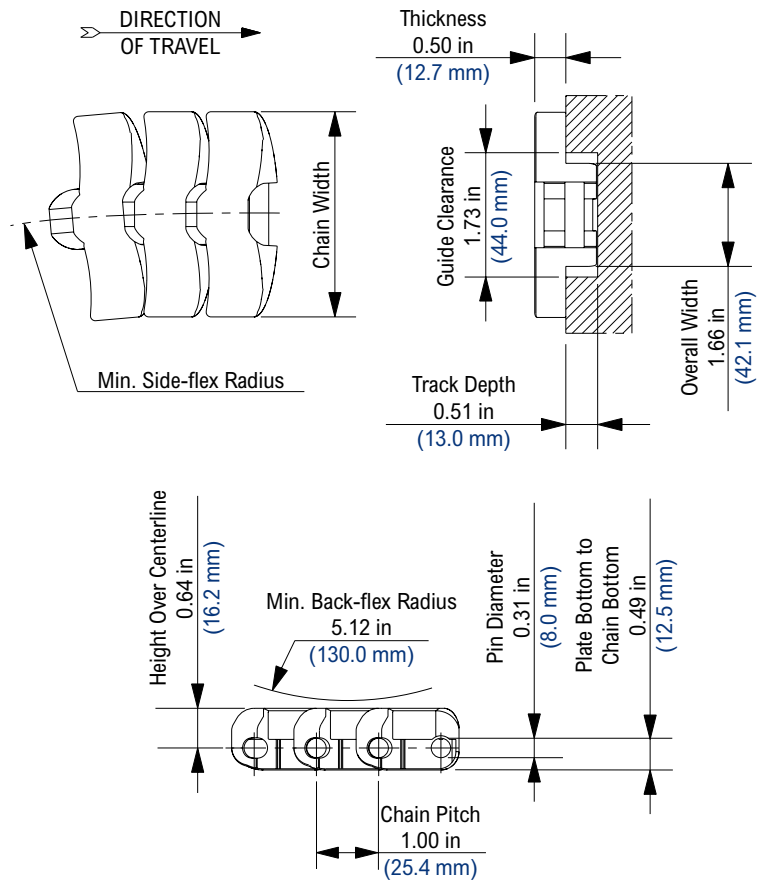
Chain strength is listed at room temperature. NR = Not Recommended.

For additional material information, see material portfolio.

1055 FTM



Photo shows 1055 FTM TableTop Chain with Magnetflex Retention molded in High Performance (HP) material.



Chain Information

desc	Chain Width		Min. Side-flex Radius		Approximate Weight	
	in	mm	in	mm	lbs/ft	kg/m
84MM	3.31	84.0	19.69	500.1	1.27	1.89
4 1/2	4.50	114.3	19.69	500.1	1.49	2.22

Available Materials

Prefix	Chain Material	Standard Pin Material	Temperature						Chain Strength		FDA Approval
			Fahrenheit			Celsius			lbs	N	
			min	max		min	max				
			dry	wet		dry	wet				
Standard Materials											
HP	High Performance	Stainless Steel	-40	180	150	-40	82	66	425	1,890	Yes

Regulatory Information

The Food and Drug Administration (FDA) accepts certain materials for direct food contact. FDA approved material is compliant to FDA 21 CFR § 177. Rexnord, TableTop, HP and Magnetflex are trademarks of Rexnord Corporation. All rights reserved. U.S. Patents: 5678682, EP0700843

Additional Notes

Non-Standard products are non-returnable. Minimum order quantity and additional setup charges may also apply. Stocked in 120 pitch, 10 ft (3.048 m) length strands. Must be used with Magnetflex corner tracks for side-flexing applications. Chain strength is listed at room temperature. NR = Not Recommended. For additional material information, see material portfolio.

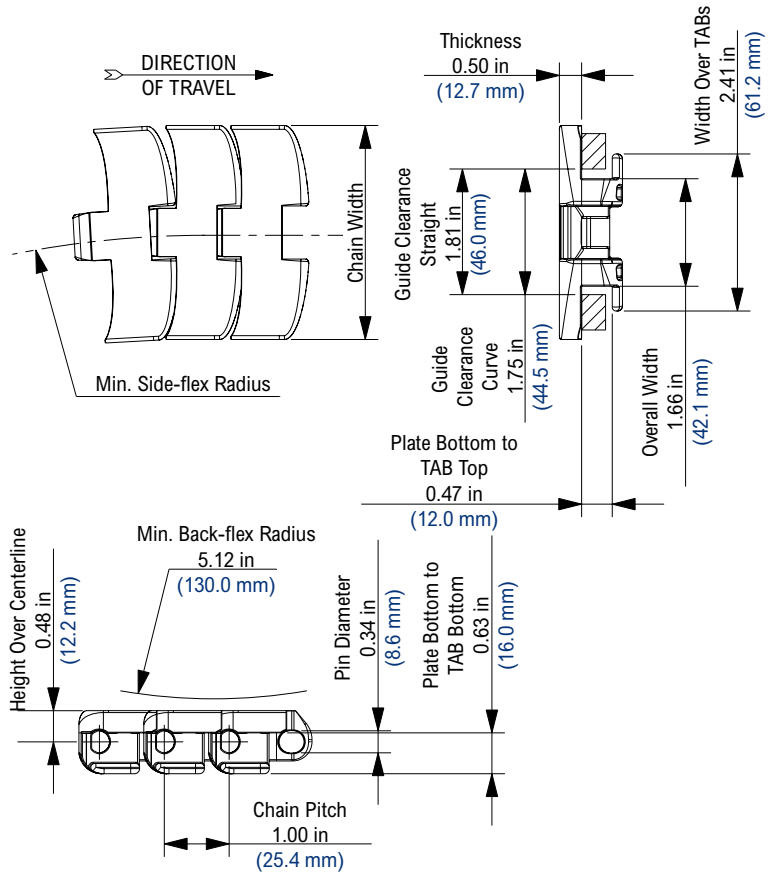
1055 FT TAB



Photo shows 1055 FT TAB TableTop Chain molded in High Performance (HP) material.

Chain Information

desc	Chain Width		Min. Side-flex Radius		Approximate Weight	
	in	mm	in	mm	lbs/ft	kg/m
84MM	3.31	84.0	19.69	500.1	1.44	2.15
4 1/2	4.50	114.3	19.69	500.1	1.55	2.30



Available Materials

Prefix	Chain Material	Standard Pin Material	Temperature						Chain Strength		FDA Approval
			Fahrenheit			Celsius					
			min	max		min	max		lbs	N	
			dry	wet		dry	wet				
Standard Materials											
HP	High Performance	Stainless Steel	-40	180	150	-40	82	66	425	1,890	Yes

Regulatory Information

The Food and Drug Administration (FDA) accepts certain materials for direct food contact. FDA approved material is compliant to FDA 21 CFR § 177. Rexnord, TableTop, and HP are trademarks of Rexnord Corporation. All rights reserved. U.S. Patents: 5678682, EP0700843

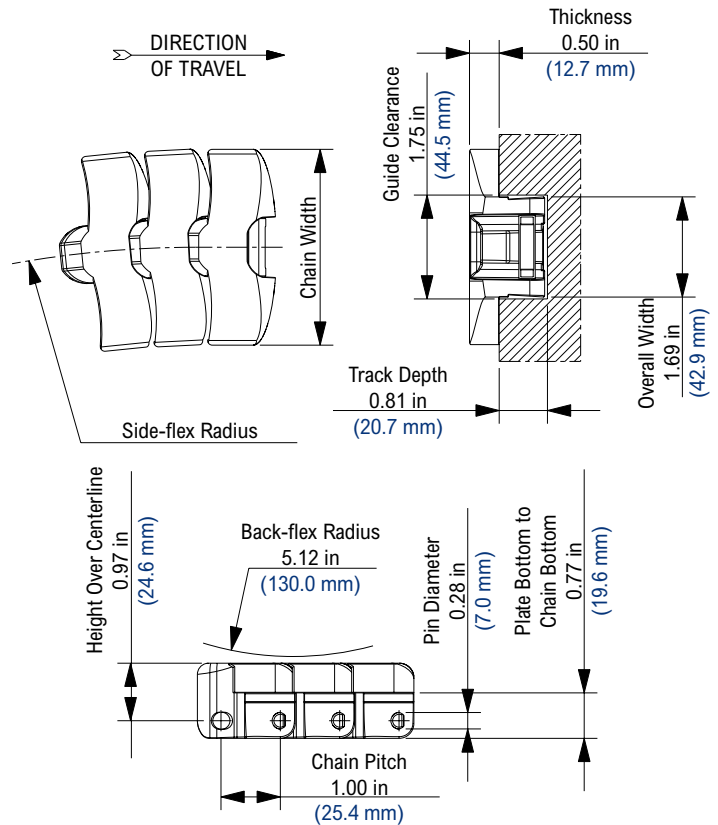
Additional Notes

Non-Standard products are non-returnable. Minimum order quantity and additional setup charges may also apply. Stocked in 120 pitch, 10 ft (3.048 m) length strands. Must be used with TAB corner tracks for side-flexing applications. Chain strength is listed at room temperature. NR = Not Recommended. For additional material information, see material portfolio.

1055 FT LPC



Photo shows 1055 FT LPC TableTop Chain with Low Pin Centerline molded in High Performance (HP) material.



Chain Information

Chain Width	Chain Width		Min. Side-flex Radius		Approximate Weight	
	desc	in	in	mm	lbs/ft	kg/m
3 1/4	3.25	82.6	18.00	457.2	1.45	2.16
84MM	3.31	84.0	19.69	500.1	1.45	2.16
4 1/2	4.50	114.3	24.00	609.6	1.68	2.50
7 1/2	7.50	190.5	24.00	609.6	2.31	3.44

Available Materials

Prefix	Chain Material	Standard Pin Material	Temperature						Chain Strength		FDA Approval
			Fahrenheit			Celsius			lbs	N	
			min	max		min	max				
Standard Materials											
DKA	Abrasion Resistant Composite	Stainless Steel	0	180	150	-18	82	66	425	1,890	Yes
Dry-PT	Dry PET Low Friction	Stainless Steel	-40	180	150	-40	82	66	425	1,890	Yes
HP	High Performance	Stainless Steel	-40	180	150	-40	82	66	425	1,890	Yes
Non-Standard Materials											
P	Chemical Resistant	Stainless Steel	0	180	140	-18	82	60	340	1,512	Yes
PS	Platinum Series	Stainless Steel	-40	180	150	-40	82	66	425	1,890	Yes
PSX	Platinum Series X	Stainless Steel	-40	180	150	-40	82	66	425	1,890	Yes
WX	Green Abrasion Resistant Polyamide	Stainless Steel	-40	220	NR	-40	104	NR	425	1,890	No

Regulatory Information

The Food and Drug Administration (FDA) accepts certain materials for direct food contact. FDA approved material is compliant to FDA 21 CFR § 177.

Rexnord, TableTop, Dry-PT, Platinum Series, Platinum Series X, PS, PSX, HP and LPC are trademarks of Rexnord Corporation.

All rights reserved.

U.S. Patents: 5678682, EP0700843, 5176247

Additional Notes

Non-Standard products are non-returnable. Minimum order quantity and additional setup charges may also apply.

Stocked in 120 pitch, 10 ft (3.048 m) length strands.

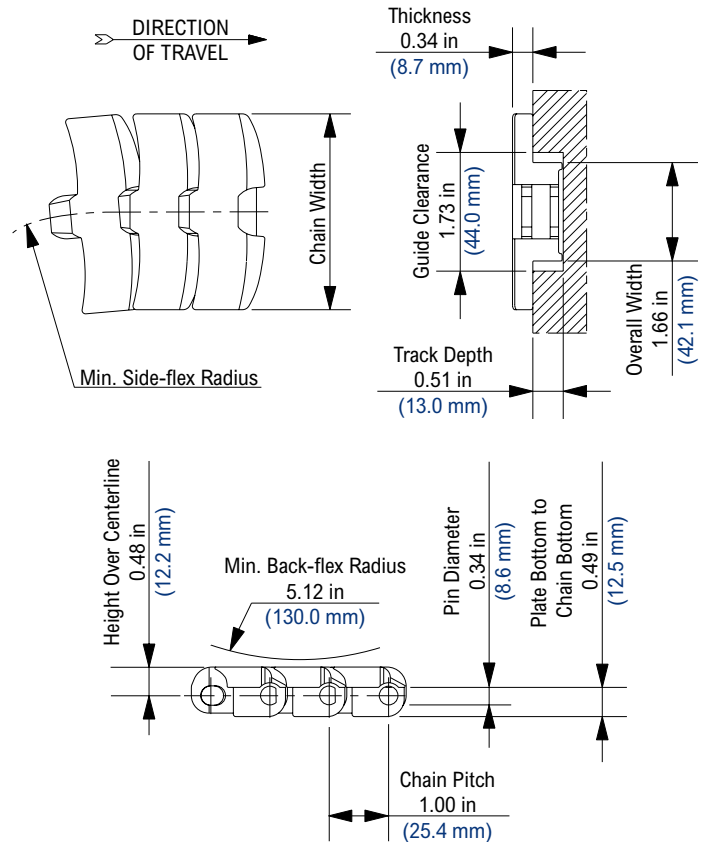
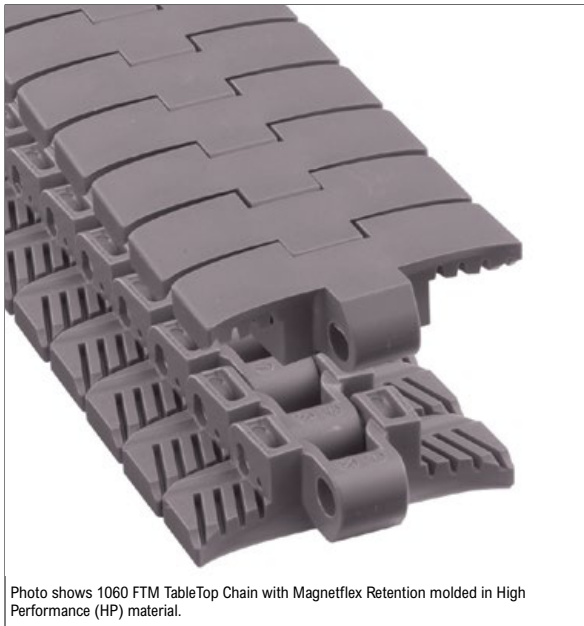
Must be used with LPC corner tracks for side-flexing applications. Rexnord curves are recommended for use with these chains because they have the proper profile to maintain chain hold-down.

Low Pin Centerline (LPC) chain is retained in the corners without the use of bevels, TAB's or magnets, and can be lifted vertically out of the corners for cleaning and/or maintenance.

Chain strength is listed at room temperature. NR = Not Recommended.

For additional material information, see material portfolio.

1060 FTM



Chain Information

Chain Width	Chain Width		Min. Side-flex Radius		Approximate Weight	
	desc	in	mm	in	mm	lbs/ft
84 MM	3.31	84.0	19.69	500.1	1.12	1.67

Available Materials

Prefix	Chain Material	Standard Pin Material	Temperature						Chain Strength		FDA Approval
			Fahrenheit			Celsius			lbs	N	
			min	max		min	max				
			dry	wet		dry	wet				
Standard Materials											
HP	High Performance	Stainless Steel	-40	180	150	-40	82	66	425	1,890	Yes
XLG	Low Friction Green	Stainless Steel	-40	180	150	-40	82	66	425	1,890	Yes
Non-Standard Materials											
DKA	Abrasion Resistant Composite	Stainless Steel	0	180	150	-18	82	66	425	1,890	Yes
PSX	Platinum Series X	Stainless Steel	-40	180	150	-40	82	66	425	1,890	Yes

Regulatory Information

The Food and Drug Administration (FDA) accepts certain materials for direct food contact. FDA approved material is compliant to FDA 21 CFR § 177.

Rexnord, TableTop, Platinum Series X, HP, PSX and Magnetflex are trademarks of Rexnord Corporation.

All rights reserved.

U.S. Patents: 5678682, EP0700843

Additional Notes

Non-Standard products are non-returnable. Minimum order quantity and additional setup charges may also apply.

Stocked in 120 pitch, 10 ft (3.048 m) length strands.

Must be used with Magnetflex corner tracks for side-flexing applications.

Chain strength is listed at room temperature. NR = Not Recommended.

For additional material information, see material portfolio.

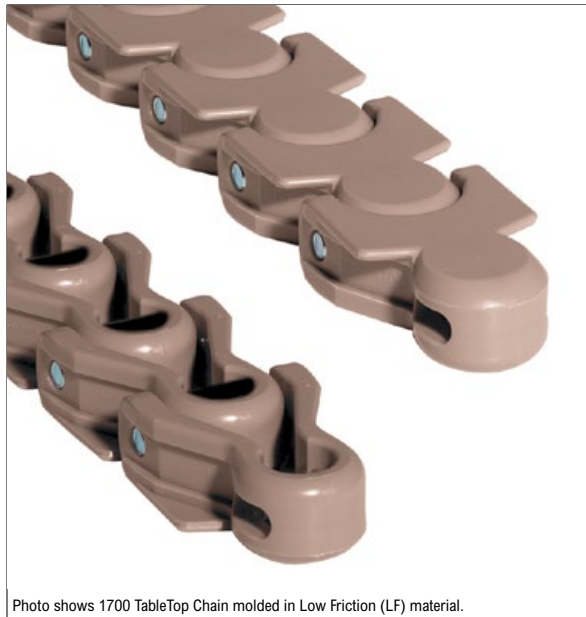
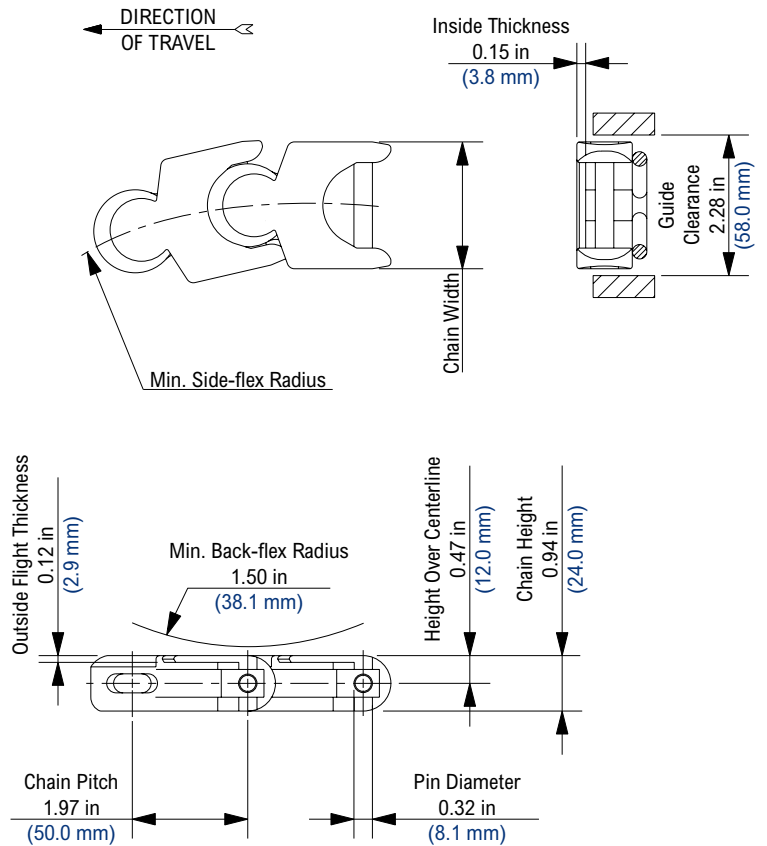


Photo shows 1700 TableTop Chain molded in Low Friction (LF) material.

Chain Information

Chain Width desc	Chain Width		Min. Side-flex Radius		Approximate Weight	
	in	mm	in	mm	lbs/ft	kg/m
N/A	2.17	55.0	5.75	146.1	0.85	1.27



Available Materials

Prefix	Chain Material	Standard Pin Material	Temperature						Chain Strength		FDA Approval
			Fahrenheit			Celsius					
			min	max		min	max		lbs	N	
Standard Materials											
LF	Low Friction	Stainless Steel	-40	180	150	-40	82	66	600	2,669	Yes
MLF	Medium Duty Low Friction	Zinc Plated Steel	-40	180	150	-40	82	66	600	2,669	Yes
Non-Standard Materials											
BWR	Black Wear Resistant	Stainless Steel	-40	180	NR	-40	82	NR	720	3,203	No
P	Chemical Resistant	Stainless Steel	0	180	140	-18	82	60	480	2,135	Yes
WLF	White Low Friction	Stainless Steel	-40	180	150	-40	82	66	600	2,669	Yes
WX	Green Abrasion Resistant Polyamide	Stainless Steel	-40	220	NR	-40	104	NR	600	2,669	No

Regulatory Information

The Food and Drug Administration (FDA) accepts certain materials for direct food contact. FDA approved material is compliant to FDA 21 CFR § 177.

Rexnord and TableTop are trademarks of Rexnord Corporation.

All rights reserved.

Additional Notes

Non-Standard products are non-returnable. Minimum order quantity and additional setup charges may also apply.

Stocked in 61 pitch, 10 ft (3.048 m) length strands.

Zinc plated carbon steel pins are available on a made-to-order basis.

Pin material can be identified by pivot color; black pivots indicate stainless steel pins and tan pivots indicate zinc plated carbon steel pins.

Armor-clad cap material is stainless steel.

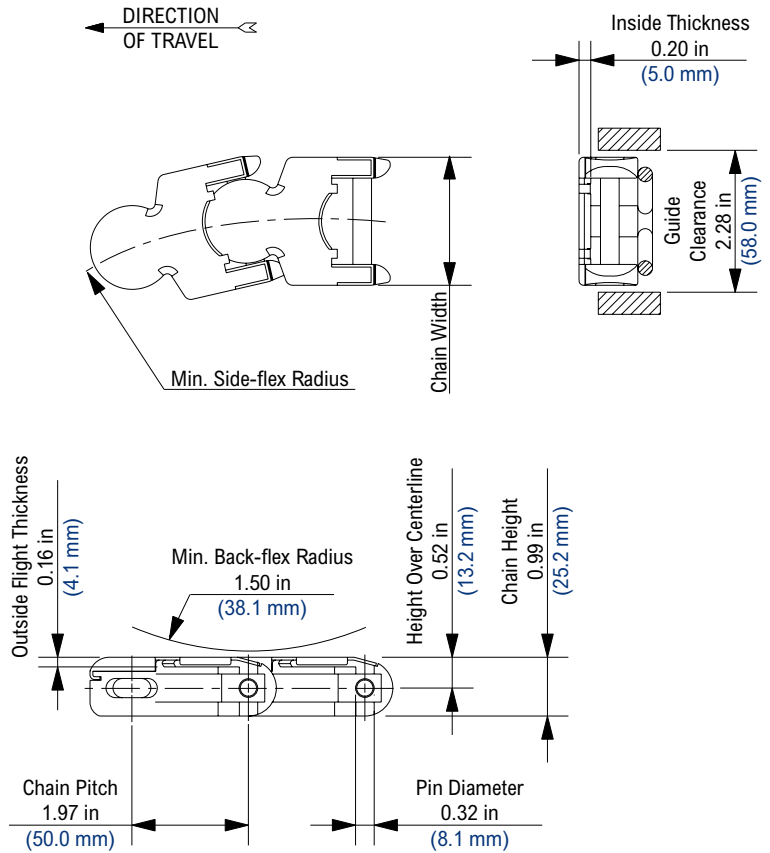
Chain strength is listed at room temperature. NR = Not Recommended.

For additional material information, see material portfolio.

1700 AC



Photo shows 1700 TableTop Chain with Armor-Clad (AC) surface molded in Low Friction (LF) material.



Chain Information

desc	Chain Width		Min. Side-flex Radius		Approximate Weight	
	in	mm	in	mm	lbs/ft	kg/m
N/A	2.17	55.0	5.75	146.1	1.10	1.64

Available Materials

Prefix	Chain Material	Standard Pin Material	Temperature						Chain Strength		FDA Approval
			Fahrenheit			Celsius					
			min	max		min	max		lbs	N	
			dry	wet		dry	wet				
Standard Materials											
LF	Low Friction	Stainless Steel	-40	180	150	-40	82	66	600	2,669	Yes

Regulatory Information

The Food and Drug Administration (FDA) accepts certain materials for direct food contact. FDA approved material is compliant to FDA 21 CFR § 177.

Rexnord and TableTop are trademarks of Rexnord Corporation.

All rights reserved.

Additional Notes

Stocked in 61 pitch, 10 ft (3.048 m) length strands.

Zinc plated carbon steel pins are available on a made-to-order basis.

Pin material can be identified by pivot color; black pivots indicate stainless steel pins and tan pivots indicate zinc plated carbon steel pins.

Armor-clad cap material is stainless steel.

Chain strength is listed at room temperature. NR = Not Recommended.

For additional material information, see material portfolio.

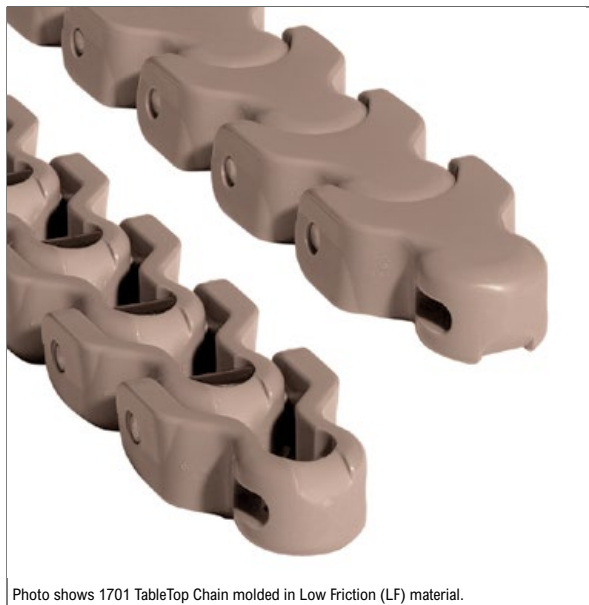
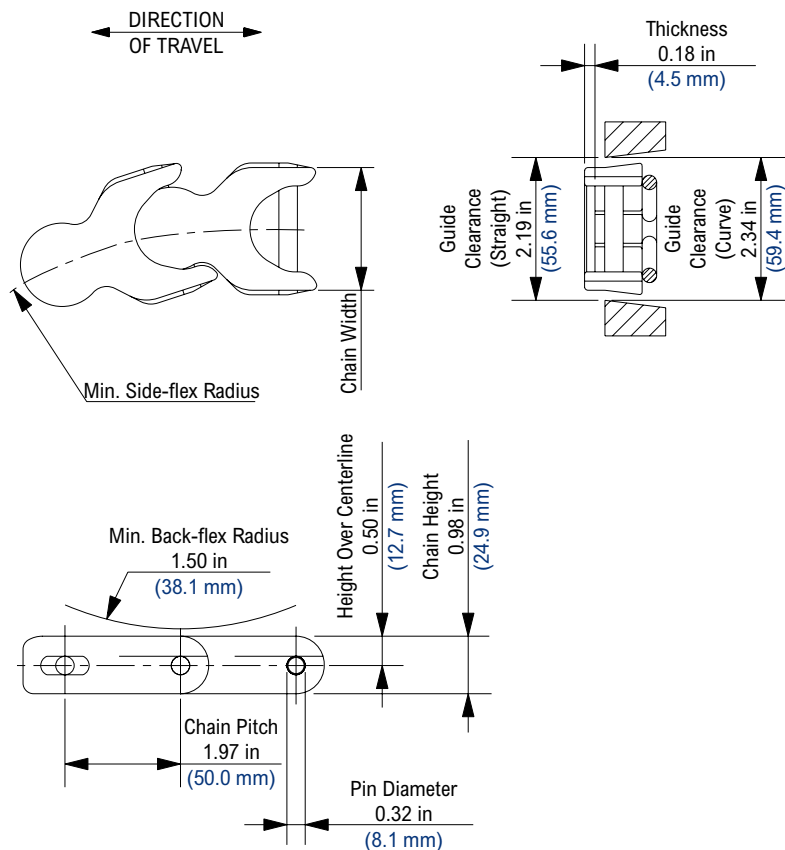


Photo shows 1701 TableTop Chain molded in Low Friction (LF) material.



Chain Information

Chain Width desc	Chain Width		Min. Side-flex Radius		Approximate Weight	
	in	mm	in	mm	lbs/ft	kg/m
N/A	2.09	53.1	5.75	146.1	0.95	1.42

Available Materials

Prefix	Chain Material	Standard Pin Material	Temperature						Chain Strength		FDA Approval
			Fahrenheit			Celsius					
			min	max		min	max		lbs	N	
			dry	wet		dry	wet				
Standard Materials											
LF	Low Friction	Stainless Steel	-40	180	150	-40	82	66	600	2,669	Yes
Non-Standard Materials											
WLF	White Low Friction	Stainless Steel	-40	180	150	-40	82	66	600	2,669	Yes

Regulatory Information

The Food and Drug Administration (FDA) accepts certain materials for direct food contact. FDA approved material is compliant to FDA 21 CFR § 177. Rexnord and TableTop are trademarks of Rexnord Corporation. All rights reserved. U.S. Patents: 5678682, EP0700843

Additional Notes

Non-Standard products are non-returnable. Minimum order quantity and additional setup charges may also apply. Stocked in 61 pitch, 10 ft (3.048 m) length strands. Zinc plated carbon steel pins are available on a made-to-order basis. Pin material can be identified by pivot color; black pivots indicate stainless steel pins and tan pivots indicate zinc plated carbon steel pins. Armor-clad cap material is stainless steel. Chain strength is listed at room temperature. NR = Not Recommended. For additional material information, see material portfolio.

1701 TAB

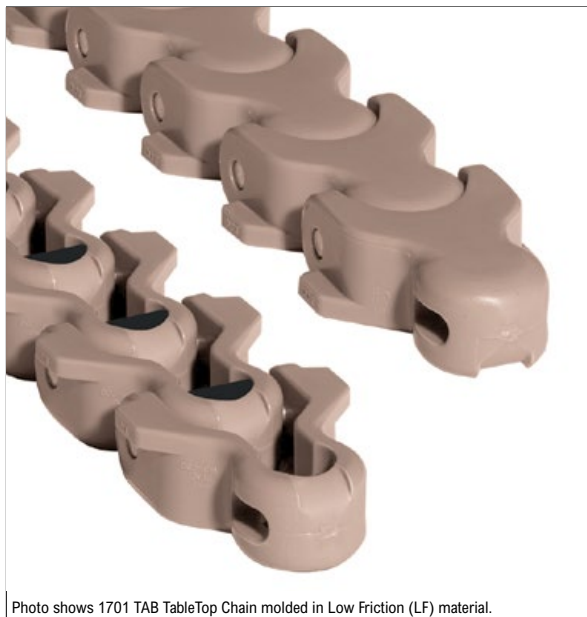
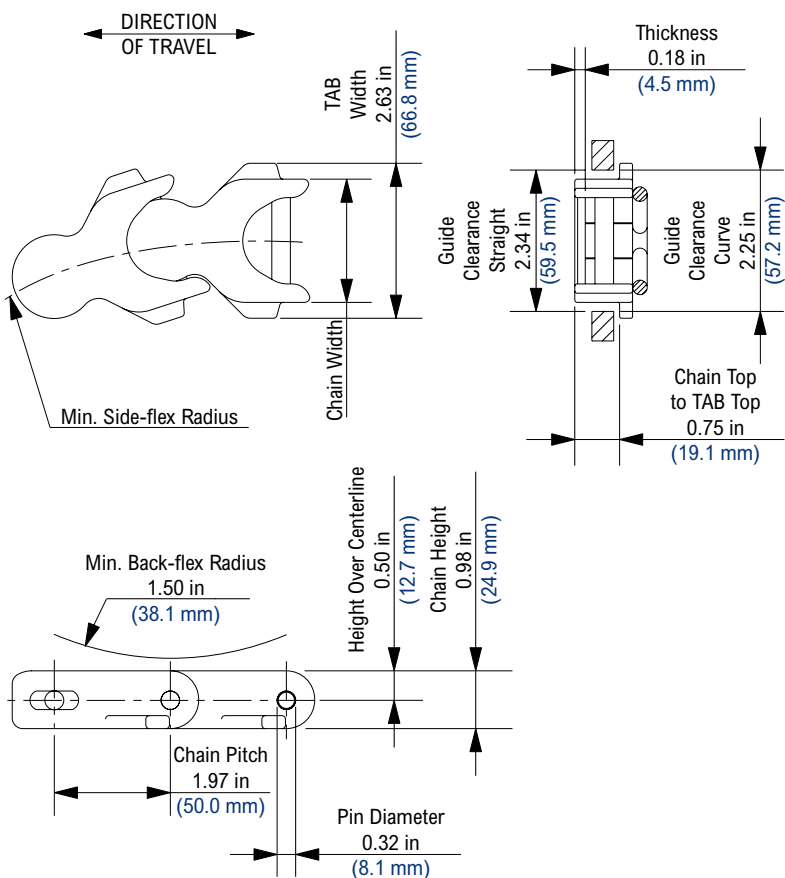


Photo shows 1701 TAB TableTop Chain molded in Low Friction (LF) material.



Chain Information

Chain Width desc	Chain Width		Min. Side-flex Radius		Approximate Weight	
	in	mm	in	mm	lbs/ft	kg/m
N/A	2.09	53.1	5.75	146.1	1.00	1.49

Available Materials

Prefix	Chain Material	Standard Pin Material	Temperature						Chain Strength		FDA Approval
			Fahrenheit			Celsius			lbs	N	
			min	max		min	max				
	dry	wet		dry	wet		dry	wet			
Standard Materials											
BWR	Black Wear Resistant	Stainless Steel	-40	180	NR	-40	82	NR	720	3,203	No
LF	Low Friction	Stainless Steel	-40	180	150	-40	82	66	600	2,669	Yes
MLF	Medium Duty Low Friction	Zinc Plated Steel	-40	180	150	-40	82	66	600	2,669	Yes
Non-Standard Materials											
PS	Platinum Series	Stainless Steel	-40	180	150	-40	82	66	600	2,669	Yes
WLF	White Low Friction	Stainless Steel	-40	180	150	-40	82	66	600	2,669	Yes
WSM	White Cut Resistant	Stainless Steel	-40	180	150	-40	82	66	600	2,669	Yes

Regulatory Information

The Food and Drug Administration (FDA) accepts certain materials for direct food contact. FDA approved material is compliant to FDA 21 CFR § 177.

Rexnord, TableTop, Platinum Series and PS are trademarks of Rexnord Corporation.

All rights reserved.

U.S. Patents: 5678682, EP0700843

Additional Notes

Non-Standard products are non-returnable. Minimum order quantity and additional setup charges may also apply.

Stocked in 61 pitch, 10 ft (3.048 m) length strands.

Zinc plated carbon steel pins are available on a made-to-order basis.

Pin material can be identified by pivot color; black pivots indicate stainless steel pins and tan pivots indicate zinc plated carbon steel pins.

HC1731 is BWR 1701TAB with special hardened carbon steel pins.

Chain strength is listed at room temperature. NR = Not Recommended.

For additional material information, see material portfolio.

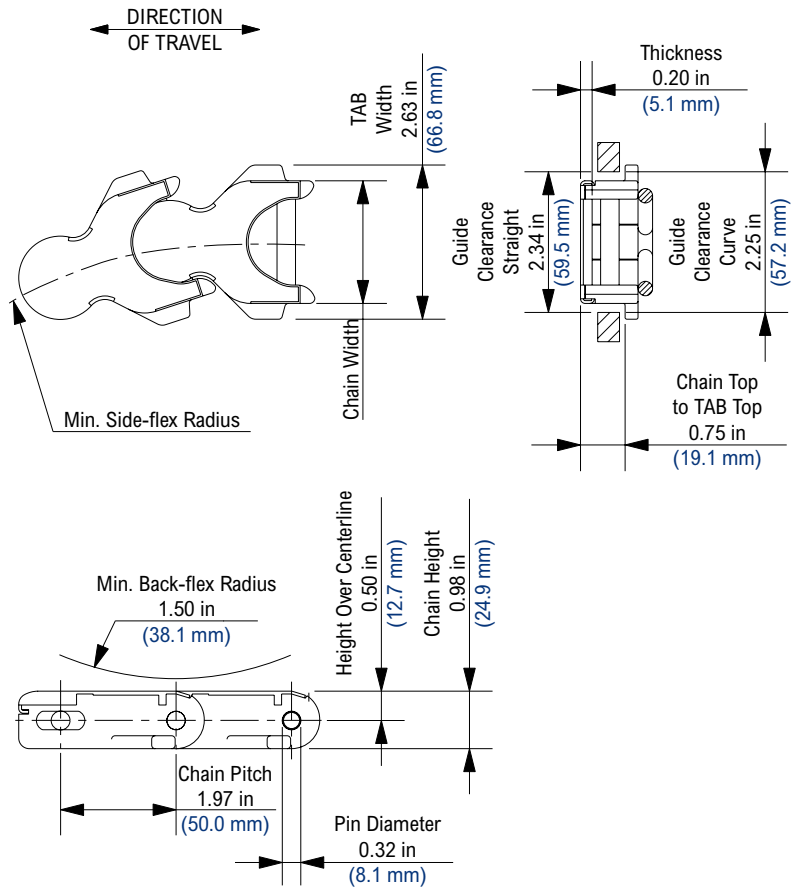
1701 TAB AC



Photo shows 1701 TAB TableTop Chain with Armor-Clad (AC) top surface molded in Low Friction (LF) material.

Chain Information

Chain Width	Chain Width		Min. Side-flex Radius		Approximate Weight	
	desc	in	in	mm	lbs/ft	kg/m
N/A	2.09	53.1	5.75	146.1	1.20	1.79



Available Materials

Prefix	Chain Material	Standard Pin Material	Temperature						Chain Strength		FDA Approval
			Fahrenheit			Celsius					
			min	max		min	max		lbs	N	
Standard Materials											
LF	Low Friction	Stainless Steel	-40	180	150	-40	82	66	600	2,669	Yes

Regulatory Information

The Food and Drug Administration (FDA) accepts certain materials for direct food contact. FDA approved material is compliant to FDA 21 CFR § 177.

Rexnord and TableTop are trademarks of Rexnord Corporation
All rights reserved.

Additional Notes

Stocked in 61 pitch, 10 ft (3.048 m) length strands.

Zinc plated carbon steel pins are available on a made-to-order basis.

Pin material can be identified by pivot color; black pivots indicate stainless steel pins and tan pivots indicate zinc plated carbon steel pins.

Armor-clad cap material is stainless steel.

Chain strength is listed at room temperature. NR = Not Recommended.

For additional material information, see material portfolio.

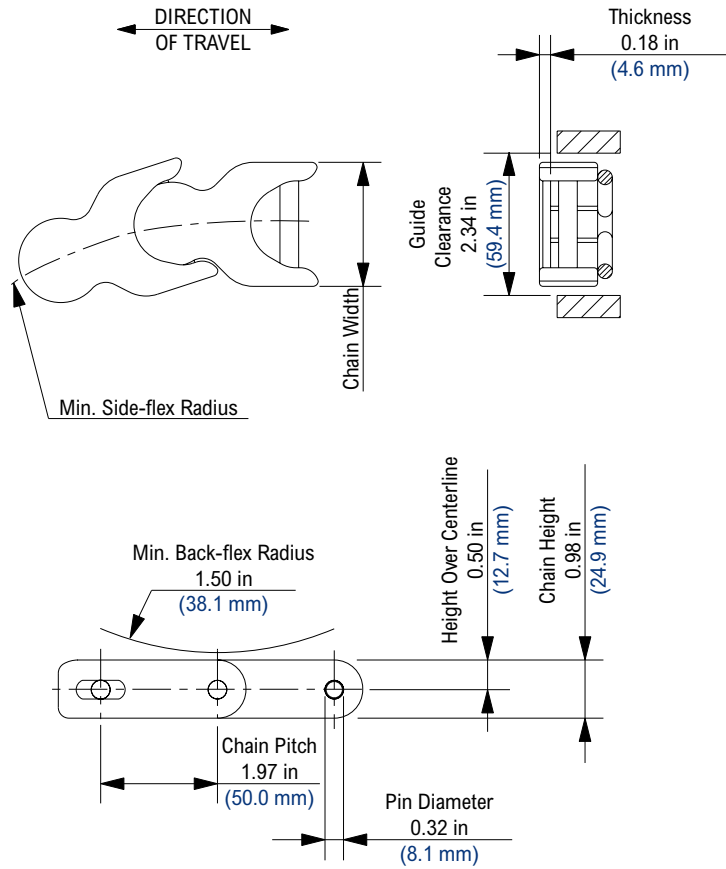
1702



Photo shows 1702 TableTop Chain molded in White Low Friction (WLF) material.

Chain Information

Chain Width desc	Chain Width		Min. Side-flex Radius		Approximate Weight	
	in	mm	in	mm	lbs/ft	kg/m
N/A	2.09	53.1	5.75	16.1	0.90	1.34



Available Materials

Prefix	Chain Material	Standard Pin Material	Temperature						Chain Strength		FDA Approval
			Fahrenheit			Celsius					
			min	max		min	max		lbs	N	
			dry	wet		dry	wet				
Standard Materials											
WLF	White Low Friction	Stainless Steel	-40	180	150	-40	82	66	600	2,669	Yes
Non-Standard Materials											
LF	Low Friction	Stainless Steel	-40	180	150	-40	82	66	600	2,669	Yes

Regulatory Information

The Food and Drug Administration (FDA) accepts certain materials for direct food contact. FDA approved material is compliant to FDA 21 CFR § 177.

Rexnord and TableTop are trademarks of Rexnord Corporation.

All rights reserved.

Additional Notes

Non-Standard products are non-returnable. Minimum order quantity and additional setup charges may also apply.

Stocked in 61 pitch, 10 ft (3.048 m) length strands.

Zinc plated carbon steel pins are available on a made-to-order basis.

Pin material can be identified by pivot color; black pivots indicate stainless steel pins and tan pivots indicate zinc plated carbon steel pins.

Armor-clad cap material is stainless steel.

Chain strength is listed at room temperature. NR = Not Recommended.

For additional material information, see material portfolio.

1755

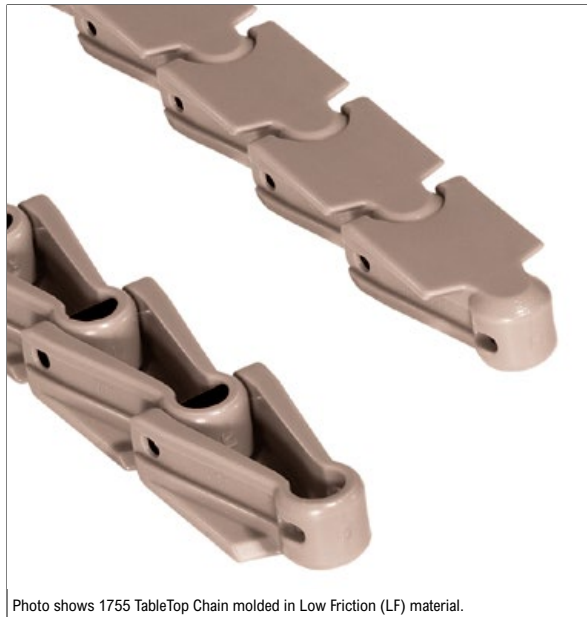
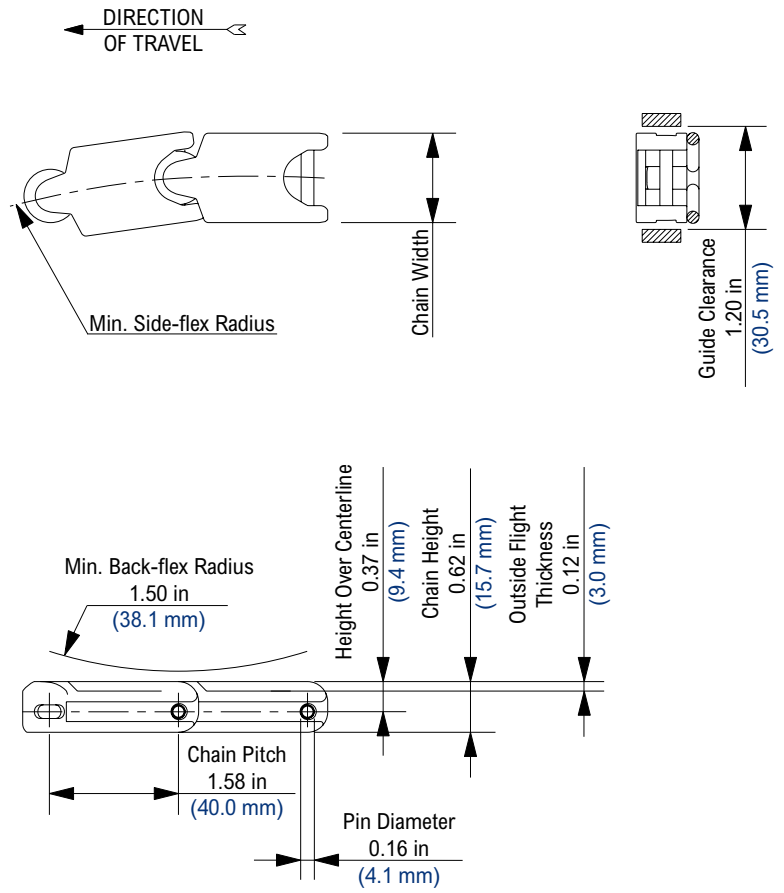


Photo shows 1755 TableTop Chain molded in Low Friction (LF) material.



Chain Information

Chain Width desc	Chain Width		Min. Side-flex Radius		Approximate Weight	
	in	mm	in	mm	lbs/ft	kg/m
N/A	1.09	27.7	5.38	136.7	0.25	0.37

Available Materials

Prefix	Chain Material	Standard Pin Material	Temperature						Chain Strength		FDA Approval
			Fahrenheit			Celsius					
			min	max		min	max				
				dry	wet		dry	wet			
Standard Materials											
LF	Low Friction	Stainless Steel	-40	180	150	-40	82	66	200	890	Yes

Regulatory Information

The Food and Drug Administration (FDA) accepts certain materials for direct food contact. FDA approved material is compliant to FDA 21 CFR § 177. Rexnord and TableTop are a trademark of Rexnord Corporation. All rights reserved.

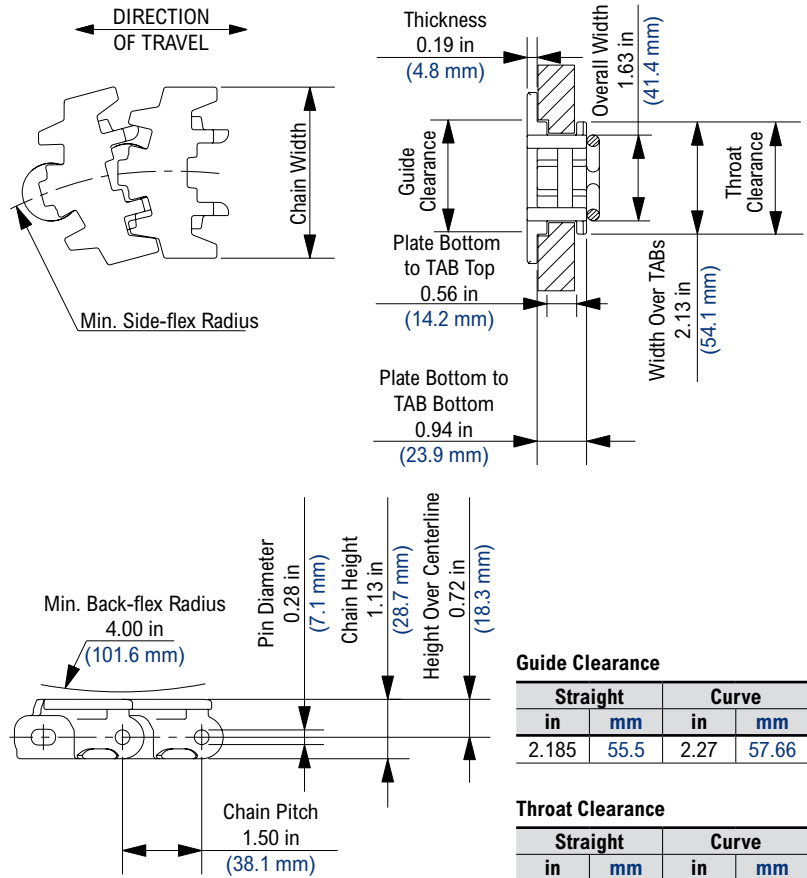
Additional Notes

Stocked in 76 pitch, 10 ft (6.096 m) length strands. Chain strength is listed at room temperature. NR = Not Recommended. For additional material information, see material portfolio.

1757 TAB



Photo shows 1757 TAB TableTop Chain molded in High Performance (HP) material.



Chain Information

Chain Width	Chain Width		Min. Side-flex Radius		Approximate Weight	
	desc	in	mm	in	mm	lbs/ft
N/A	3.25	82.6	6.00	152.4	1.00	1.49

Guide Clearance

Straight		Curve	
in	mm	in	mm
2.185	55.5	2.27	57.66

Throat Clearance

Straight		Curve	
in	mm	in	mm
1.685	42.8	1.78	45.2

Available Materials

Prefix	Chain Material	Standard Pin Material	Temperature						Chain Strength		FDA Approval
			Fahrenheit			Celsius					
			min	max		min	max		lbs	N	
Non-Standard Materials											
ESD	Electrostatic Dissipative	Stainless Steel	0	180	180	-18	82	82	234	1,041	No
HP	High Performance	Stainless Steel	-40	180	150	-40	82	66	390	1,735	Yes
LF	Low Friction	Stainless Steel	-40	180	150	-40	82	66	390	1,735	Yes

Regulatory Information

The Food and Drug Administration (FDA) accepts certain materials for direct food contact. FDA approved material is compliant to FDA 21 CFR § 177. Rexnord, TableTop, and HP are trademarks of Rexnord Corporation. All rights reserved. U.S. Patents: 4893709, D289607, 4909380, 5096050, 533045, 4436200

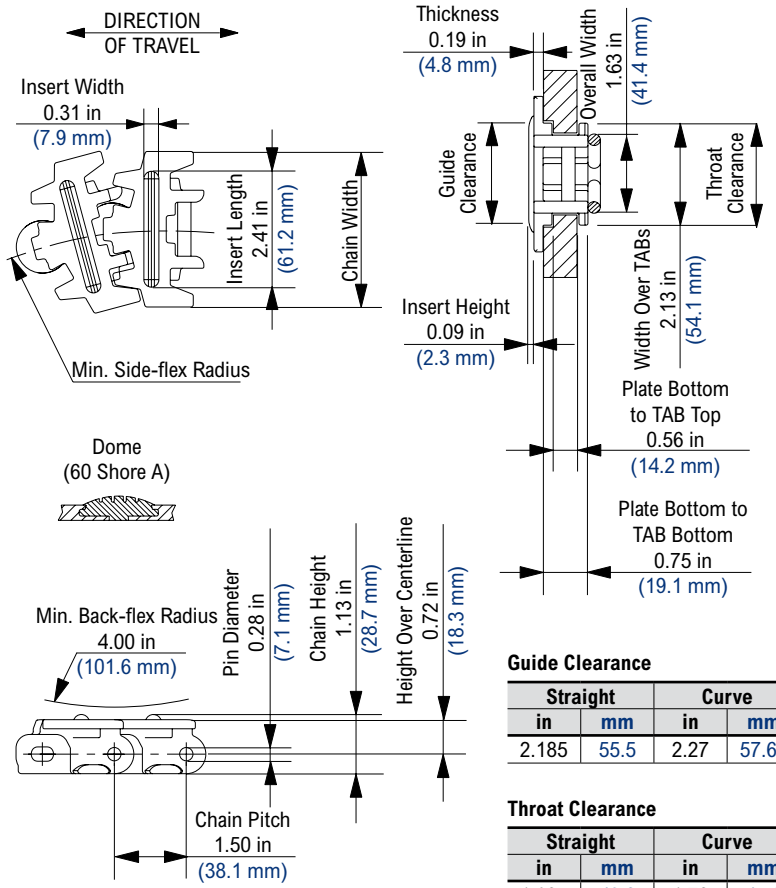
Additional Notes

Non-Standard products are non-returnable. Minimum order quantity and additional setup charges may also apply. Stocked in 80 pitch, 10 ft (3.048 m) length strands. Zinc plated carbon steel pins are available on a made-to-order basis. Pin material can be identified by pivot color; black pivots indicate stainless steel pins and tan pivots indicate zinc plated carbon steel pins. Chain strength is listed at room temperature. NR = Not Recommended. For additional material information, see material portfolio.

1757 TAB SuperGrip



Photo shows 1757 TAB SuperGrip TableTop Chain with High Friction Inserts molded in High Performance (HP) material.



Chain Information

Chain Width		Min. Side-flex Radius		Approximate Weight		
desc	in	mm	in	mm	lbs/ft	kg/m
N/A	3.25	82.6	6.00	152.4	1.00	1.49

Guide Clearance			
Straight		Curve	
in	mm	in	mm
2.185	55.5	2.27	57.66

Throat Clearance			
Straight		Curve	
in	mm	in	mm
1.685	42.8	1.78	45.2

Available Materials

Prefix	Chain Material	Standard Pin Material	Temperature						Chain Strength		FDA Approval
			Fahrenheit			Celsius					
			min	max		min	max		lbs	N	
			dry	wet	min	dry	wet				
Non-Standard Materials											
HP	High Performance	Stainless Steel	-40	180	150	-40	82	66	390	1,735	Yes
LF	Low Friction	Stainless Steel	-40	180	150	-40	82	66	390	1,735	Yes

Regulatory Information

The Food and Drug Administration (FDA) accepts certain materials for direct food contact. FDA approved material is compliant to FDA 21 CFR § 177. Rexnord, TableTop and HP are trademarks of Rexnord Corporation. All rights reserved. U.S. Patents: 4893709, D289607, 4909380, 5096050, 5330045, 4436200

Additional Notes

Non-Standard products are non-returnable. Minimum order quantity and additional setup charges may also apply. Stocked in 80 pitch, 10 ft (3.048 m) length strands. Zinc plated carbon steel pins are available on a made-to-order basis. Pin material can be identified by pivot color; black pivots indicate stainless steel pins and tan pivots indicate zinc plated carbon steel pins. Inserts may be space every pitch, every second pitch, etc. Chain strength is listed at room temperature. NR = Not Recommended. For additional material information, see material portfolio.

1757 TAB LBP

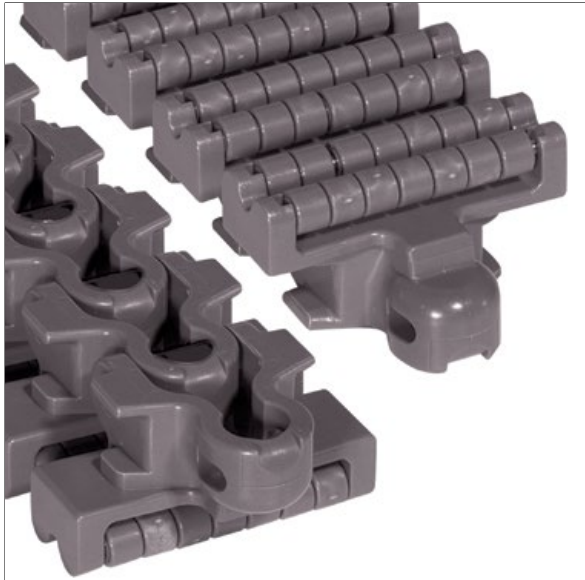
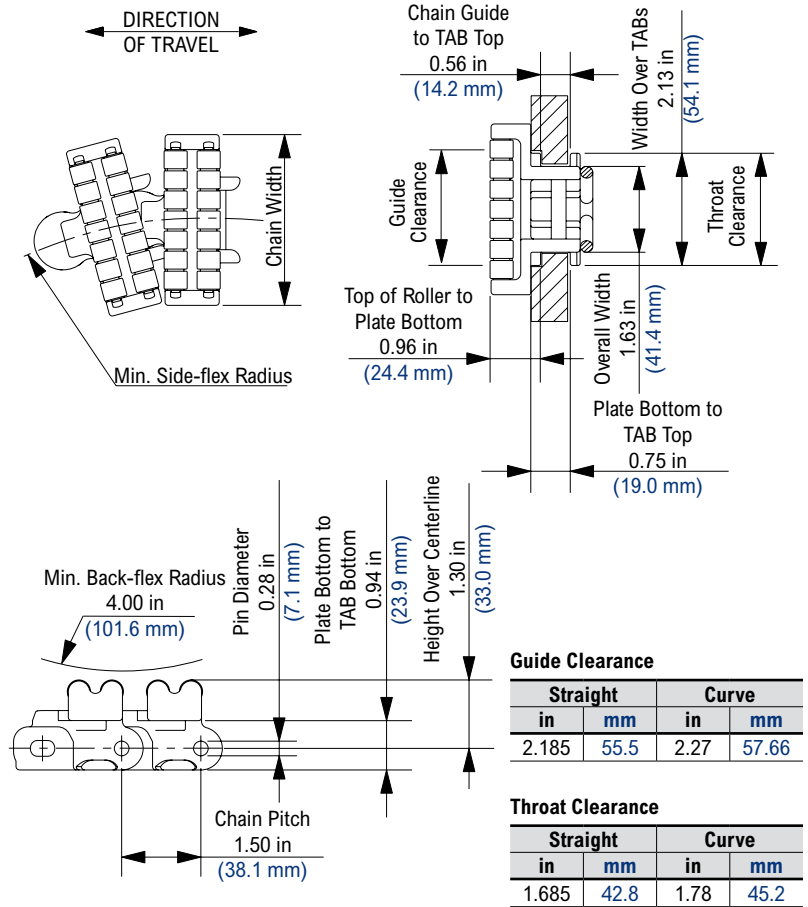


Photo shows 1757 TAB LBP TableTop Chain with Low Backline Pressure Rollers molded in High Performance (HP) material.

Chain Information

Chain Width	Min. Side-flex Radius		Approximate Weight				
	desc	in	mm	in	mm	lbs/ft	kg/m
N/A	3.25	82.6	6.00	152.4	1.60	2.38	



Available Materials

Prefix	Chain Material	Standard Pin Material	Temperature						Chain Strength		FDA Approval
			Fahrenheit			Celsius					
			min	max		min	max		lbs	N	
Non-Standard Materials											
HP	High Performance	Stainless Steel	-40	180	150	-40	82	66	390	1,735	Yes
LF	Low Friction	Stainless Steel	-40	180	150	-40	82	66	390	1,735	Yes

Regulatory Information

The Food and Drug Administration (FDA) accepts certain materials for direct food contact. FDA approved material is compliant to FDA 21 CFR § 177.

Rexnord, TableTop and HP are trademarks of Rexnord Corporation.

All rights reserved.

U.S. Patents: 4893709, 4909380, 5096050, 5330045

Additional Notes

Non-Standard products are non-returnable. Minimum order quantity and additional setup charges may also apply.

Stocked in 80 pitch, 10 ft (3.048 m) length strands.

Zinc plated carbon steel pins are available on a made-to-order basis.

Pin material can be identified by pivot color; black pivots indicate stainless steel pins and tan pivots indicate zinc plated carbon steel pins.

Chain strength is listed at room temperature. NR = Not Recommended.

For additional material information, see material portfolio.

1757 TAB G

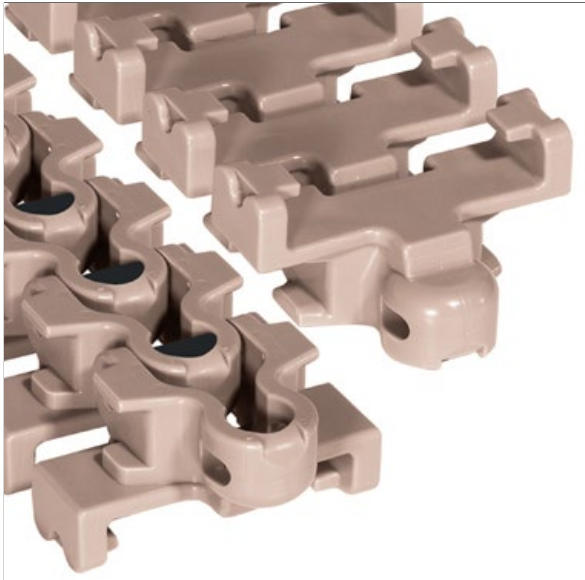
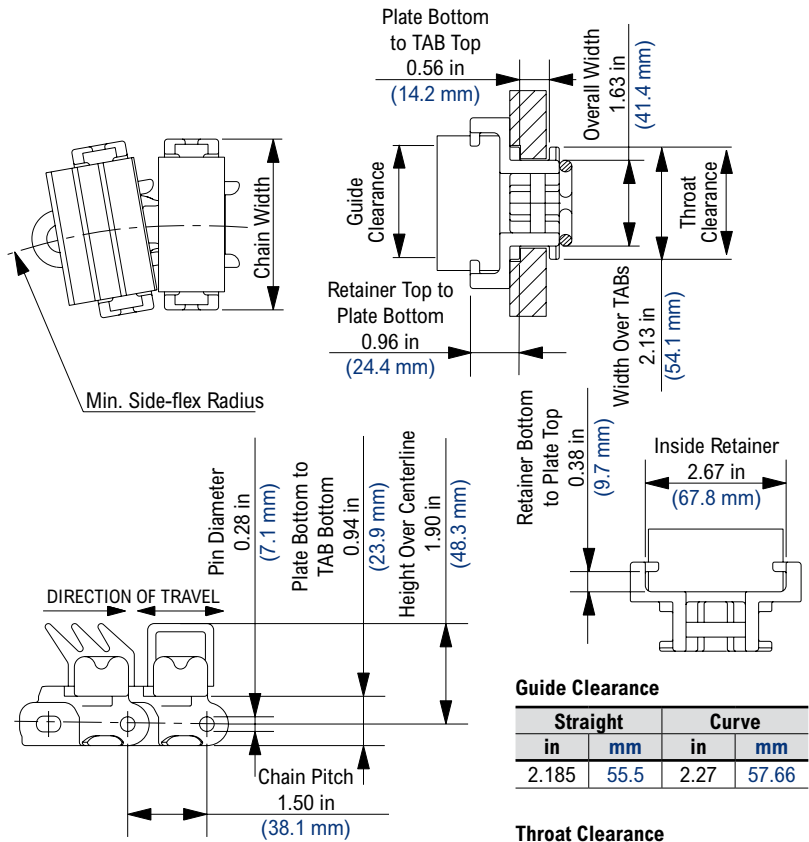


Photo shows 1757 TAB G TableTop Chain with Gripper Retainers molded in Low Friction (LF) material, with gripper.

Chain Information

Chain Width	Min. Side-flex Radius		Approximate Weight			
	in	mm	in	mm	lbs/ft	kg/m
N/A	3.25	82.6	8.00	203.2	1.15	1.71



Guide Clearance

Straight		Curve	
in	mm	in	mm
2.185	55.5	2.27	57.66

Throat Clearance

Straight		Curve	
in	mm	in	mm
1.685	42.8	1.78	45.2

Available Materials

Prefix	Chain Material	Standard Pin Material	Temperature						Chain Strength		FDA Approval
			Fahrenheit			Celsius					
			min	max		min	max		lbs	N	
			dry	wet		dry	wet				
Non-Standard Materials											
HP	High Performance	Stainless Steel	-40	180	150	-40	82	66	390	1,735	Yes
LF	Low Friction	Stainless Steel	-40	180	150	-40	82	66	390	1,735	Yes

Regulatory Information

The Food and Drug Administration (FDA) accepts certain materials for direct food contact. FDA approved material is compliant to FDA 21 CFR § 177.

Rexnord, TableTop and HP are trademarks of Rexnord Corporation.

All rights reserved.

U.S. Patents: 4629062, 4809846

Additional Notes

Non-Standard products are non-returnable. Minimum order quantity and additional setup charges may also apply.

Stocked in 80 pitch, 10 ft (3.048 m) length strands.

Zinc plated carbon steel pins are available on a made-to-order basis.

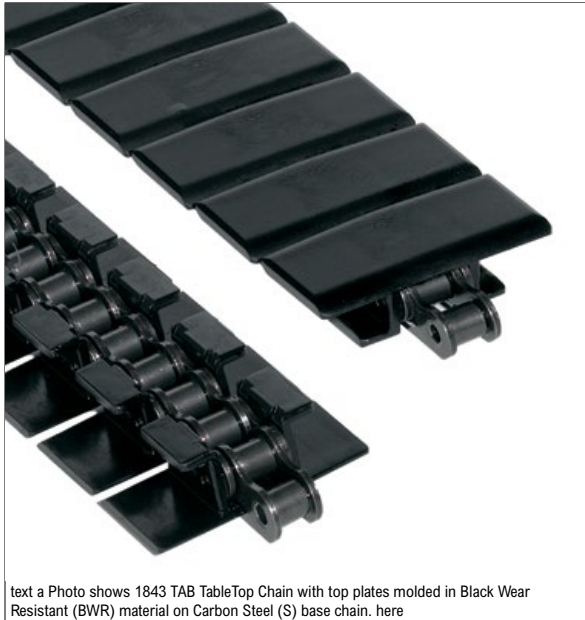
Pin material can be identified by pivot color; black pivots indicate stainless steel pins and tan pivots indicate zinc plated carbon steel pins.

Can be assembled with "J" or "D" style gripper attachments; see accessories section for more information.

Chain strength is listed at room temperature. NR = Not Recommended.

For additional material information, see material portfolio.

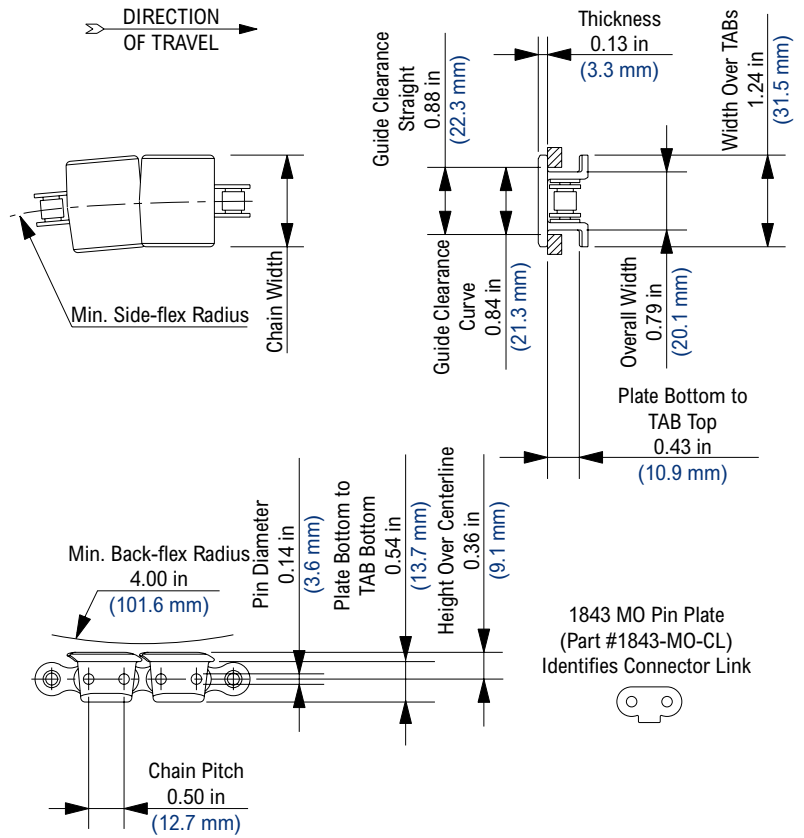
1843 TAB (S)



Text a Photo shows 1843 TAB TableTop Chain with top plates molded in Black Wear Resistant (BWR) material on Carbon Steel (S) base chain. here

Chain Information

desc	Chain Width		Min. Side-flex Radius		Approximate Weight	
	in	mm	in	mm	lbs/ft	kg/m
1 1/4	1.25	31.8	10.00	254.0	0.54	0.80
1 1/2	1.50	38.1	10.00	254.0	0.56	0.83
2	2.00	50.8	10.00	254.0	0.59	0.88
2 1/4	2.25	57.2	10.00	254.0	0.61	0.91
2 5/8	2.63	66.8	10.00	254.0	0.64	0.95



Available Materials

Prefix	Top Plate Material	Base Chain Material	Temperature						Chain Strength		FDA Approval
			Fahrenheit			Celsius			lbs	N	
			min	max		min	max				
Standard Materials											
BWR	Black Wear Resistant	Carbon Steel	-40	180	NR	-40	82	NR	600	2,669	No
LF	Low Friction	Carbon Steel	-40	180	NR	-40	82	NR	600	2,669	No
Non-Standard Materials											
AS	Anti-Static	Carbon Steel	0	180	NR	-18	82	NR	600	2,669	No
BIR	Black Impact Resistant	Carbon Steel	-40	220	NR	-40	104	NR	600	2,669	No
DUV	Plain Acetal Ultraviolet Resistant	Carbon Steel	0	180	NR	-18	82	NR	600	2,669	No
FR	Flame Retardant	Carbon Steel	0	180	NR	-18	82	NR	600	2,669	No
HP	High Performance	Carbon Steel	-40	180	NR	-40	82	NR	600	2,669	No
P	Chemical Resistant	Carbon Steel	0	180	NR	-18	82	NR	600	2,669	No

Regulatory Information

Rexnord, TableTop and HP are trademarks of Rexnord Corporation. All rights reserved.

Additional Notes

Non-Standard products are non-returnable. Minimum order quantity and additional setup charges may also apply.
 Stocked in 240 pitch, 10 ft (3.048 m) length strands.
 Uses 1843 carbon steel (S) base chain (Part #1843-BC).
 Chain runs on ANSI No. 40 sprockets.
 Chain strength is listed at room temperature. NR = Not Recommended.
 For additional material information, see material portfolio.

1843 TAB (SS)

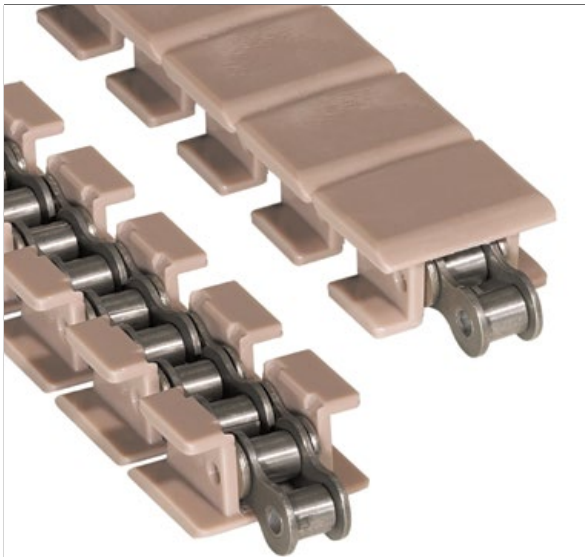
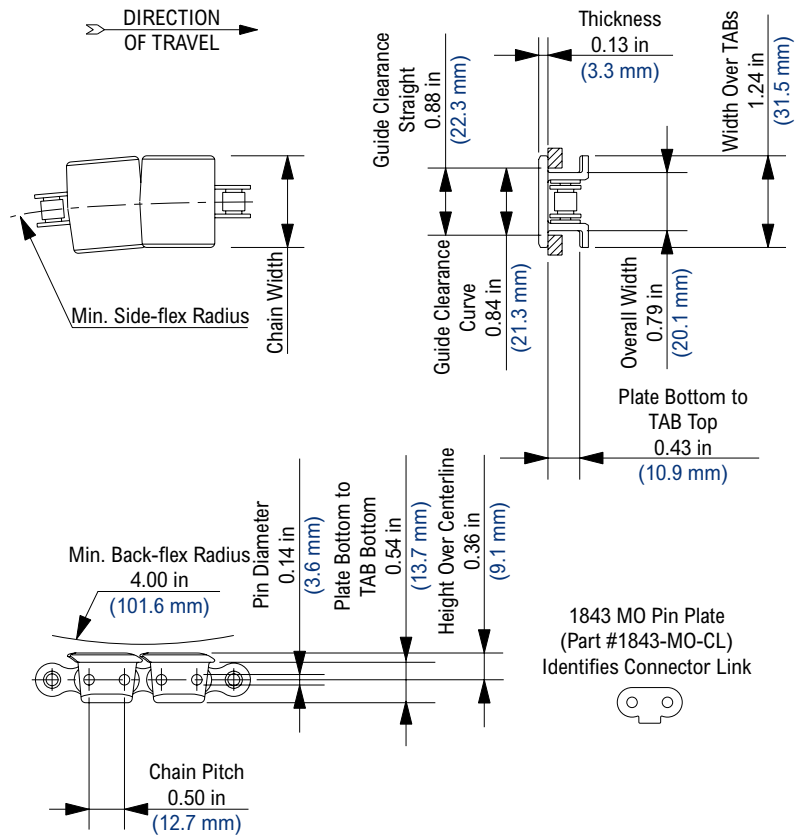


Photo shows 1843 TAB TableTop Chain with top plates molded in Low Friction (LF) material on Stainless Steel (SS) base chain.

Chain Information

Chain Width	Chain Width		Min. Side-flex Radius		Approximate Weight	
	in	mm	in	mm	lbs/ft	kg/m
1 1/4	1.25	31.8	10.00	254.0	0.54	0.80
1 1/2	1.50	38.1	10.00	254.0	0.56	0.83
2	2.00	50.8	10.00	254.0	0.59	0.88
2 1/4	2.25	57.2	10.00	254.0	0.61	0.91
2 5/8	2.63	66.7	10.00	254.0	0.64	0.95



Available Materials

Prefix	Top Plate Material	Base Chain Material	Temperature						Chain Strength		FDA Approval
			Fahrenheit			Celsius					
			min	max		min	max		lbs	N	
			dry	wet		dry	wet				
Standard Materials											
BWR	Black Wear Resistant	Stainless Steel	-40	180	NR	-40	82	NR	420	1,868	No
LF	Low Friction	Stainless Steel	-40	180	150	-40	82	66	420	1,868	Yes
Non-Standard Materials											
AS	Anti-Static	Stainless Steel	0	180	NR	-18	82	NR	420	1,868	No
HP	High Performance	Stainless Steel	-40	180	150	-40	82	66	420	1,868	Yes
P	Chemical Resistant	Stainless Steel	0	180	140	-18	82	60	420	1,868	Yes

Regulatory Information

The Food and Drug Administration (FDA) accepts certain materials for direct food contact. FDA approved material is compliant to FDA 21 CFR § 177. Rexnord, TableTop and HP are trademarks of Rexnord Corporation. All rights reserved.

Additional Notes

Non-Standard products are non-returnable. Minimum order quantity and additional setup charges may also apply. Stocked in 240 pitch, 10 ft (3.048 m) length strands. Uses 1843 stainless steel (SS) base chain (Part #1843SS-BC). Chain runs on ANSI No. 40 sprockets. Chain strength is listed at room temperature. NR = Not Recommended. For additional material information, see material portfolio.

1843 TAB G (S)

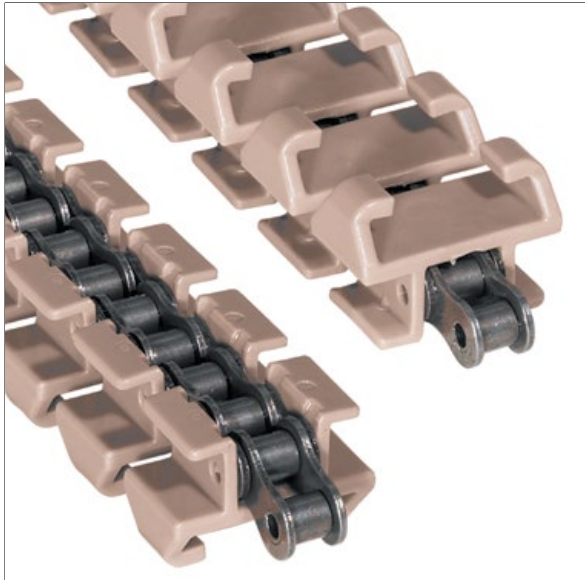
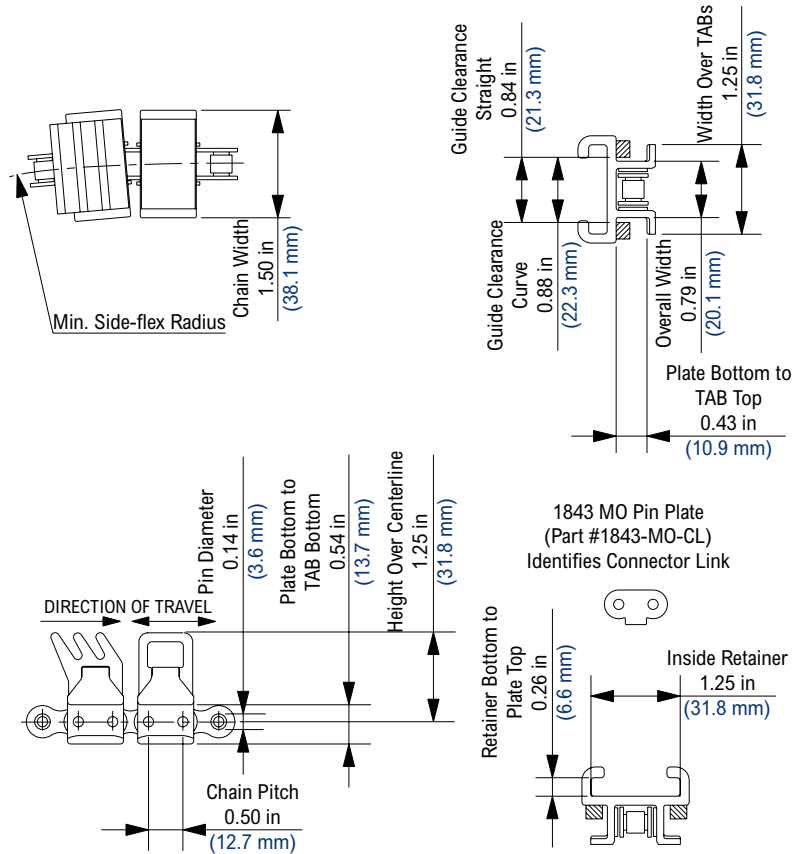


Photo shows 1843 TAB G TableTop chain provided without gripper attachments, with top plates molded in Low Friction (LF) material on carbon steel (S) base chain.

Chain Information

Chain Width desc	Chain Width		Min. Side-flex Radius		Approximate Weight	
	in	mm	in	mm	lbs/ft	kg/m
1 1/2	1.50	38.1	10.00	254.0	0.82	1.22



Available Materials

Prefix	Top Plate Material	Base Chain Material	Temperature						Chain Strength		FDA Approval
			Fahrenheit			Celsius					
			min	max		min	max				
				dry	wet		dry	wet			
Standard Materials											
LF	Low Friction	Carbon Steel	-40	180	NR	-40	82	NR	600	2,669	No

Regulatory Information

Rexnord and TableTop are trademarks of Rexnord Corporation. All rights reserved.

Additional Notes

- Stocked in 240 pitch, 10 ft (3.048 m) length strands.
- Uses 1843 carbon steel (S) base chain (Part #1843-BC).
- Chain runs on ANSI No. 40 sprockets.
- Can be assembled with "J" or "D" style gripper attachments; see accessories section for more information.
- Chain breakers available.
- Chain strength is listed at room temperature. NR = Not Recommended.
- For additional material information, see material portfolio.

1843 TAB G (SS)

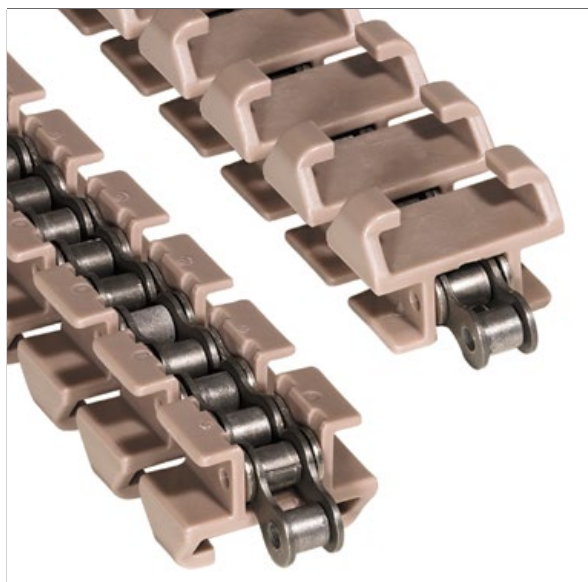
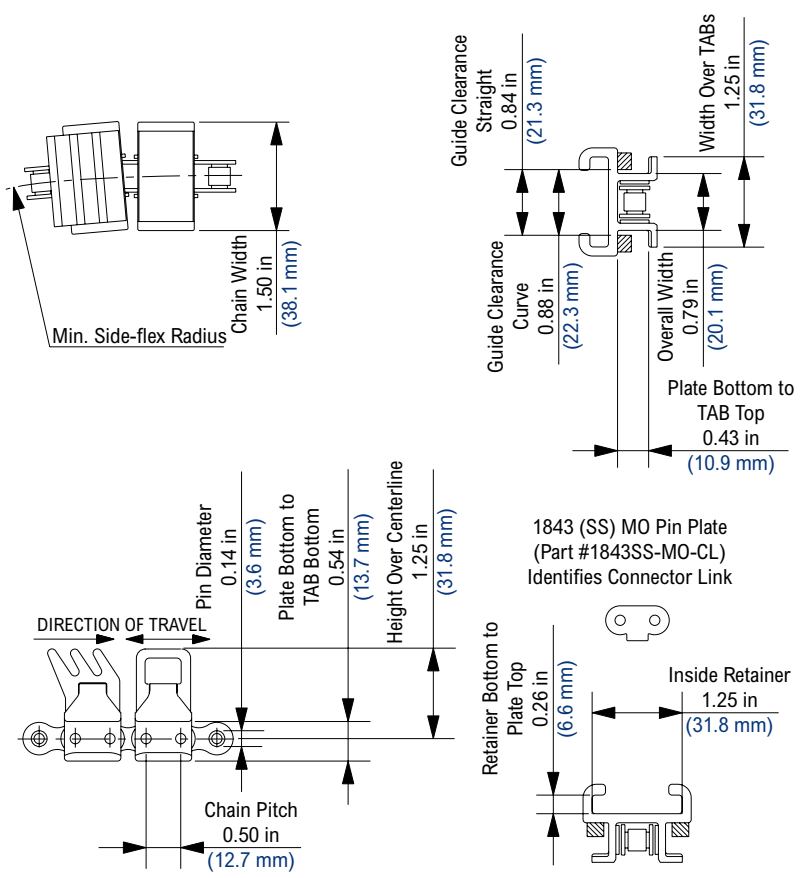


Photo shows 1843 TAB G TableTop Chain with Gripper Retainers molded in Low Friction (LF) material on Stainless Steel (SS) base chain.



Chain Information

Chain Width desc	Chain Width		Min. Side-flex Radius		Approximate Weight	
	in	mm	in	mm	lbs/ft	kg/m
1 1/2	1.50	38.1	10.00	254.0	0.85	1.27

Available Materials

Prefix	Top Plate Material	Base Chain Material	Temperature						Chain Strength		FDA Approval
			Fahrenheit			Celsius					
			min	max		min	max		lbs	N	
				dry	wet		dry	wet			
Standard Materials											
LF	Low Friction	Stainless Steel	-40	180	150	-40	82	66	420	1,868	Yes

Regulatory Information

The Food and Drug Administration (FDA) accepts certain materials for direct food contact. FDA approved material is compliant to FDA 21 CFR § 177. Rexnord and TableTop are trademarks of Rexnord Corporation. All rights reserved.

Additional Notes

Stocked in 240 pitch, 10 ft (3.048 m) length strands. Uses 1843 stainless steel (SS) base chain (Part #1843SS-BC). Chain runs on ANSI No. 40 sprockets. Can be assembled with "J" or "D" style gripper attachments; see accessories section for more information. Chain strength is listed at room temperature. NR = Not Recommended. For additional material information, see material portfolio.

1873 TAB (S)

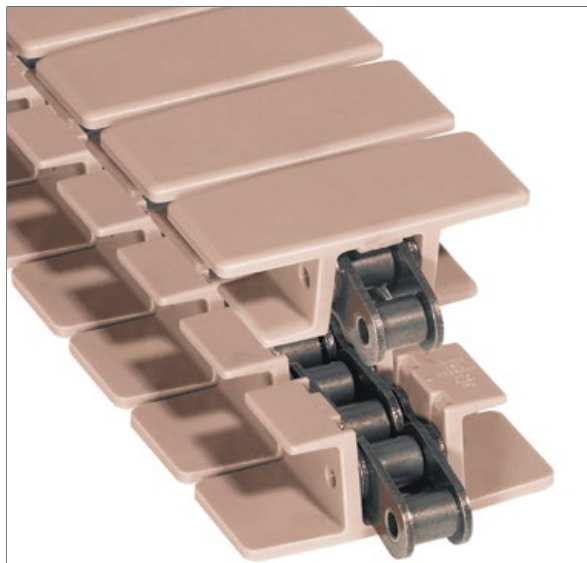
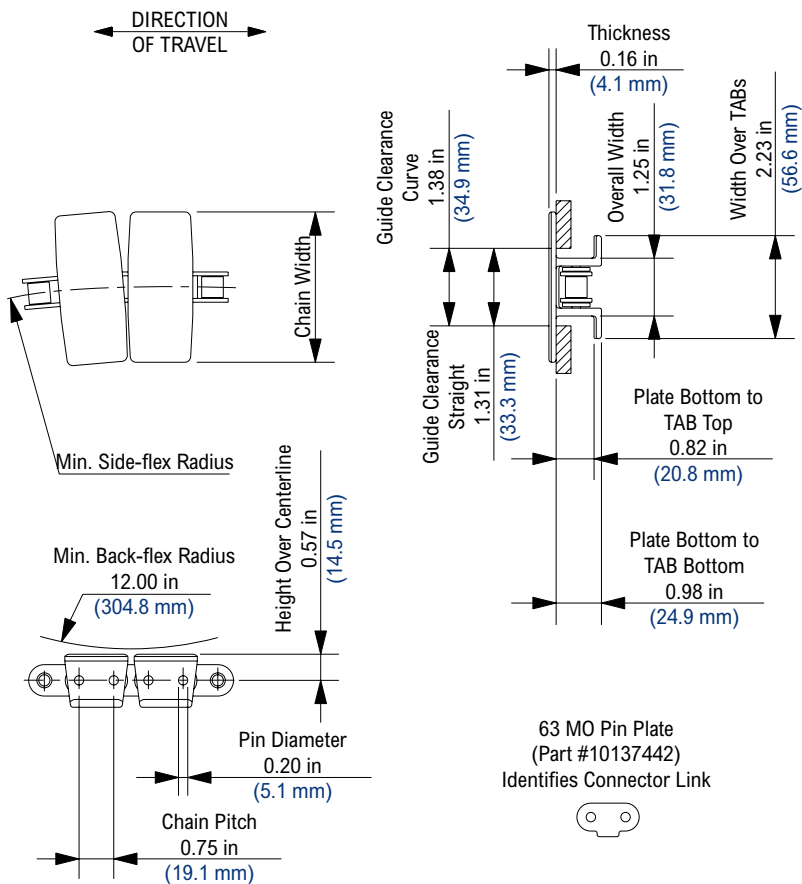


Photo shows 1873 TAB TableTop Chain with top plates molded in Low Friction (LF) material on Carbon Steel (S) base chain.

Chain Information

Chain Width desc	Chain Width		Min. Side-flex Radius		Approximate Weight	
	in	mm	in	mm	lbs/ft	kg/m
2 1/4	2.25	57.2	14.00	355.6	1.34	2.00
3 1/4	3.25	82.6	14.00	355.6	1.41	2.10
4 1/2	4.50	114.3	14.00	355.6	1.52	2.26
6	6.00	152.4	18.00	457.2	1.62	2.41
7 1/2	7.50	190.5	18.00	457.2	1.72	2.56
10	10.00	254.0	18.00	457.2	1.87	2.79
12	12.00	304.8	24.00	609.6	2.02	3.01



Available Materials

Prefix	Top Plate Material	Base Chain Material	Temperature						Chain Strength		FDA Approval
			Fahrenheit			Celsius			lbs	N	
			min	max		min	max				
	dry	wet		dry	wet		dry	wet			
Standard Materials											
D	Plain Acetal	Carbon Steel	-40	180	NR	-40	82	NR	1,000	4,448	Yes
HP	High Performance	Carbon Steel	-40	180	NR	-40	82	NR	1,000	4,448	No
LF	Low Friction	Carbon Steel	-40	180	NR	-40	82	NR	1,000	4,448	No
PS	Platinum Series	Carbon Steel	-40	180	NR	-40	82	NR	1,000	4,448	No
Non-Standard Materials											
DUV	Plain Acetal Ultraviolet Resistant	Carbon Steel	0	180	NR	-18	82	NR	1,000	4,448	No
HS	Heat Stabilized	Carbon Steel	-40	220	NR	-40	104	NR	1,000	4,448	No

Regulatory Information

Rexnord, TableTop, Platinum Series, HP and PS are trademarks of Rexnord Corporation.
All rights reserved.

Additional Notes

Non-Standard products are non-returnable. Minimum order quantity and additional setup charges may also apply.
Stocked in 160 pitch, 10 ft (3.048 m) length strands.
Uses 63 carbon steel (S) base chain (Part #63-BC).
Chain runs on ANSI No. 60 sprockets.
Plain acetal (D) top plates are not stocked for the 2-1/4 in (57.2 mm) width.
Chain breakers available.
Chain strength is listed at room temperature.
NR = Not Recommended.
For additional material information, see material portfolio.



Part #SK12776

1873 TAB (SS)

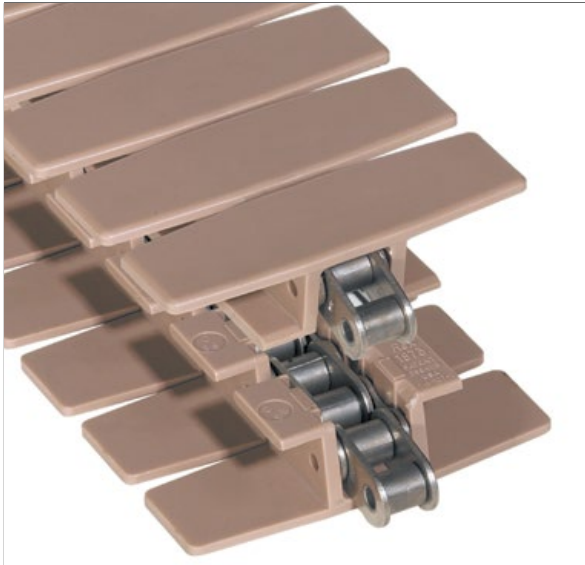
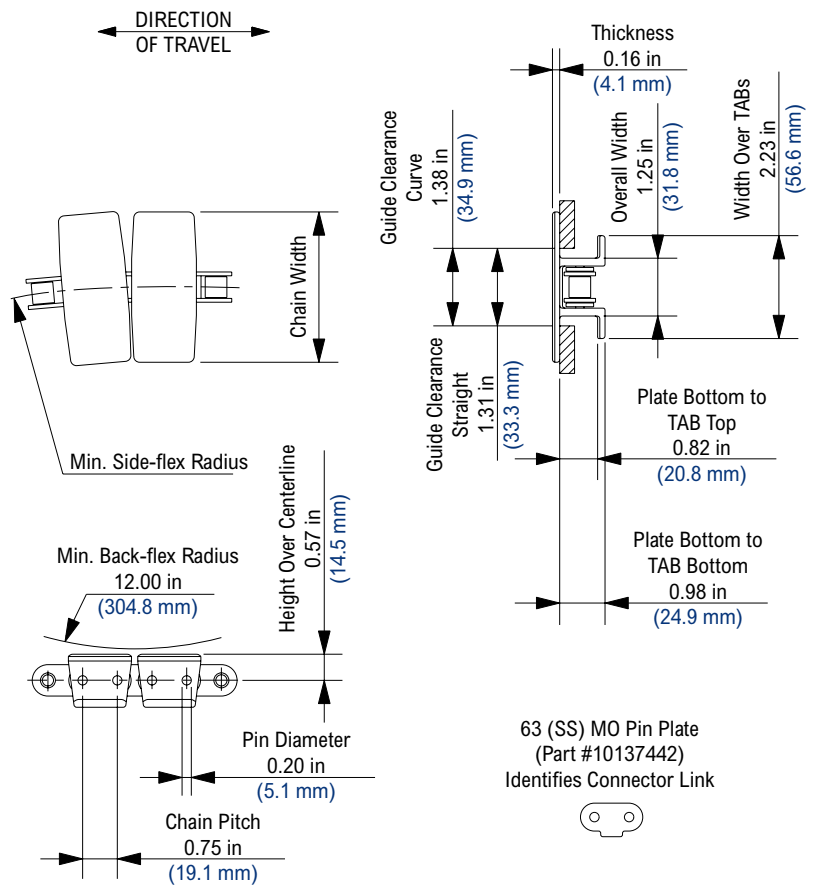


Photo shows 1873 TAB TableTop Chain with top plates molded in Low Friction (LF) material on Stainless Steel (SS) base chain.

Chain Information

Chain Width desc	Chain Width		Min. Side-flex Radius		Approximate Weight	
	in	mm	in	mm	lbs/ft	kg/m
2 1/4	2.25	57.2	14.00	355.6	1.34	2.00
3 1/4	3.25	82.6	14.00	355.6	1.41	2.10
4 1/2	4.50	114.3	14.00	355.6	1.52	2.26
6	6.00	152.4	18.00	457.2	1.62	2.41
7 1/2	7.50	190.5	18.00	457.2	1.72	2.56
10	10.00	254.0	18.00	457.2	1.87	2.79
12	12.00	304.8	24.00	609.6	2.02	3.01



Available Materials

Prefix	Top Plate Material	Base Chain Material	Temperature						Chain Strength		FDA Approval
			Fahrenheit			Celsius					
			min	max		min	max		lbs	N	
			dry	wet		dry	wet				
Standard Materials											
D	Plain Acetal	Stainless Steel	-40	180	150	-40	82	66	750	3,336	Yes
HP	High Performance	Stainless Steel	-40	180	150	-40	82	66	750	3,336	Yes
LF	Low Friction	Stainless Steel	-40	180	150	-40	82	66	750	3,336	Yes
PS	Platinum Series	Stainless Steel	-40	180	150	-40	82	66	750	3,336	Yes
Non-Standard Materials											
DUV	Plain Acetal Ultraviolet Resistant	Stainless Steel	0	180	150	-18	82	66	750	3,336	No
HS	Heat Stabilized	Stainless Steel	-40	220	212	-40	104	100	750	3,336	No

Regulatory Information

The Food and Drug Administration (FDA) accepts certain materials for direct food contact. FDA approved material is compliant to FDA 21 CFR § 177. Rexnord, TableTop, Platinum Series, HP and PS are trademarks of Rexnord Corporation. All rights reserved.

Additional Notes

Non-Standard products are non-returnable. Minimum order quantity and additional setup charges may also apply. Stocked in 160 pitch, 10 ft (3.048 m) length strands. Uses 63 stainless steel (SS) base chain (Part #63SS-BC). Chain runs on ANSI No. 60 sprockets. Plain acetal (D) top plates are not stocked for the 2-1/4 in (57.2 mm) width. Chain breakers available. Chain strength is listed at room temperature. NR = Not Recommended. For additional material information, see material portfolio.



Part #SK12776

1873 TAB G (S)

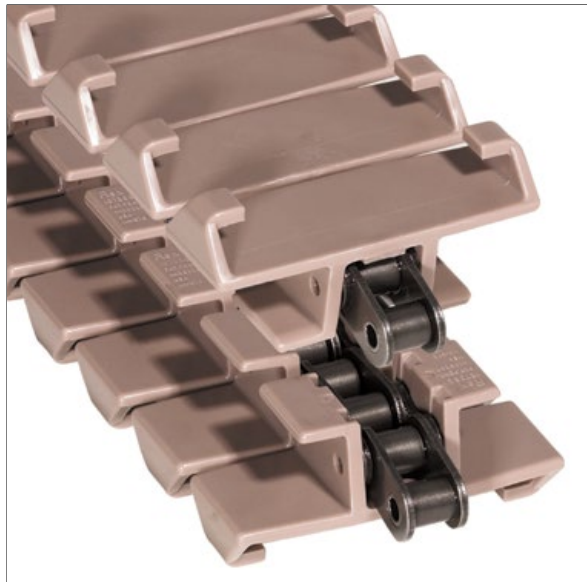
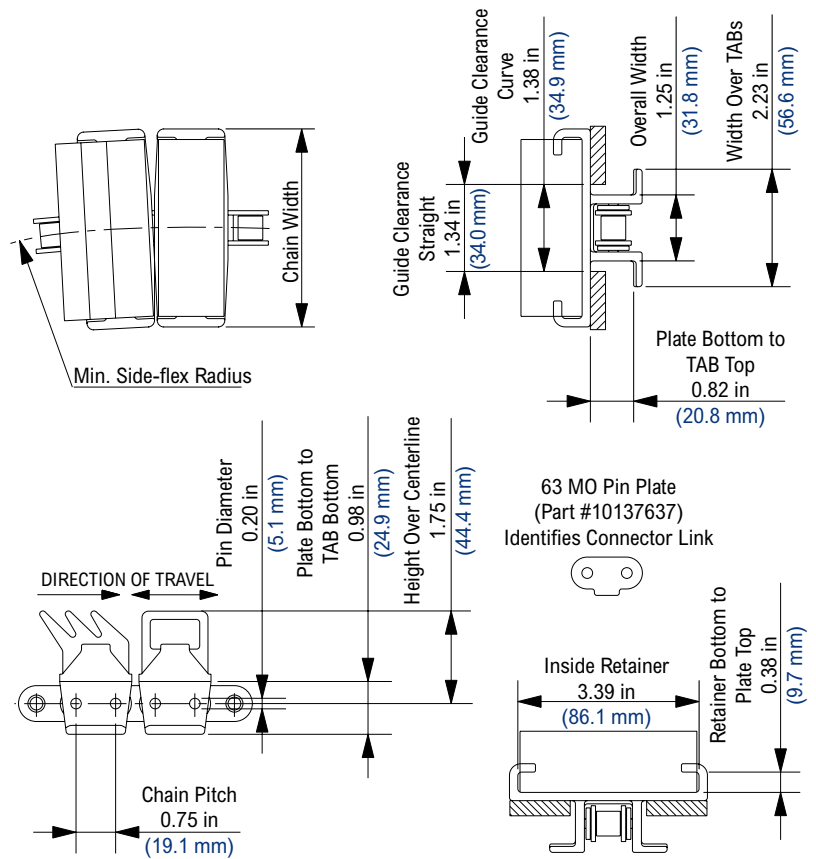


Photo shows 1873 TAB G TableTop Chain with Gripper Retainers molded in Low Friction (LF) material on Carbon Steel (S) base chain.

Chain Information

Chain Width desc	Chain Width		Min. Side-flex Radius		Approximate Weight	
	in	mm	in	mm	lbs/ft	kg/m
3 3/4	3.75	95.3	15.00	381.0	1.50	2.24



Available Materials

Prefix	Top Plate Material	Base Chain Material	Temperature						Chain Strength		FDA Approval
			Fahrenheit			Celsius			lbs	N	
			min	max		min	max				
				dry	wet		dry	wet			
Standard Materials											
HP	High Performance	Carbon Steel	-40	180	NR	-40	82	NR	1,000	4,448	No
HS	Heat Stabilized	Carbon Steel	-40	220	NR	-40	104	NR	1,000	4,448	No
LF	Low Friction	Carbon Steel	-40	180	150	-40	82	66	1,000	4,448	No
PS	Platinum Series	Carbon Steel	-40	180	NR	-40	82	NR	1,000	4,448	No
Non-Standard Materials											
WX	Green Abrasion Resistant Polyamide	Carbon Steel	-40	220	NR	-40	104	NR	1,000	4,448	No

Regulatory Information

Rexnord, TableTop, Platinum Series, HP and PS are trademarks of Rexnord Corporation.

All rights reserved.

U.S. Patents: 4629063, 4809846, 5219065

Additional Notes

Non-Standard products are non-returnable. Minimum order quantity and additional setup charges may also apply.

Stocked in 160 pitch, 10 ft (3.048 m) length strands.

Uses 63 carbon steel (S) base chain (Part #63-BC).

Chain runs on ANSI No. 60 sprockets.

Chain breakers available.

Chain strength is listed at room temperature.

NR = Not Recommended.

For additional material information, see material portfolio.



Part #SK12776

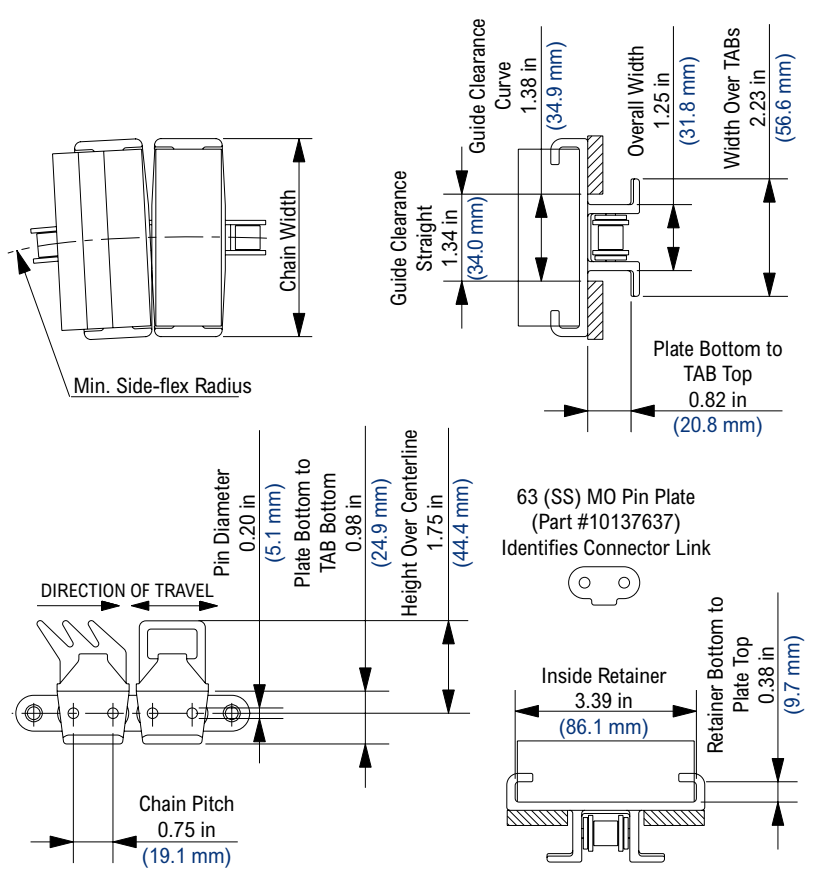
1873 TAB G (SS)



Photo shows 1873 TAB G TableTop Chain with Gripper Retainers molded in High Performance (HP) material on Stainless Steel (SS) base chain.

Chain Information

Chain Width desc	Chain Width		Min. Side-flex Radius		Approximate Weight	
	in	mm	in	mm	lbs/ft	kg/m
3 3/4	3.75	95.3	15.00	381.0	1.50	2.24



Available Materials

Prefix	Top Plate Material	Base Chain Material	Temperature						Chain Strength		FDA Approval
			Fahrenheit			Celsius					
			min	max		min	max		lbs	N	
			dry	wet		dry	wet				
Standard Materials											
HP	High Performance	Stainless Steel	-40	180	150	-40	82	66	750	3,336	Yes
HS	Heat Stabilized	Stainless Steel	-40	220	212	-40	104	100	750	3,336	No
LF	Low Friction	Stainless Steel	-40	180	150	-40	82	66	750	3,336	Yes
PS	Platinum Series	Stainless Steel	-40	180	150	-40	82	66	750	3,336	Yes
Non-Standard Materials											
WX	Green Abrasion Resistant Polyamide	Stainless Steel	-40	220	NR	-40	104	NR	750	3,336	No

Regulatory Information

The Food and Drug Administration (FDA) accepts certain materials for direct food contact. FDA approved material is compliant to FDA 21 CFR § 177. Rexnord, TableTop, Platinum Series, HP and PS are trademarks of Rexnord Corporation. All rights reserved. U.S. Patents: 4629063, 4809846, 5219065

Additional Notes

Non-Standard products are non-returnable. Minimum order quantity and additional setup charges may also apply. Stocked in 160 pitch, 10 ft (3.048 m) length strands. Uses 63 stainless steel (SS) base chain (Part #63SS-BC). Chain runs on ANSI No. 60 sprockets. Chain breakers available. Chain strength is listed at room temperature. NR = Not Recommended. For additional material information, see material portfolio.



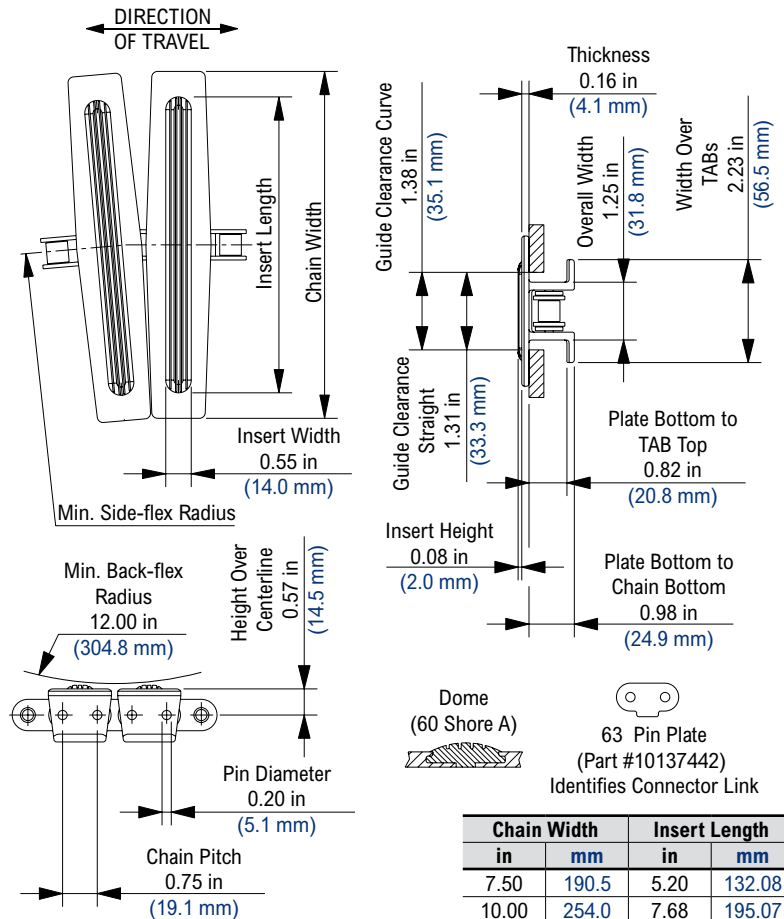
1873 TAB (S) SuperGrip



Photo shows 1873 TAB SuperGrip TableTop Chain with High Friction Inserts and top plates molded in Low Friction (LF) material on Carbon Steel (S) base chain.

Chain Information

Chain Width desc	Chain Width		Min. Side-flex Radius		Approximate Weight	
	in	mm	in	mm	lbs/ft	kg/m
7 1/2	7.50	190.5	18.00	457.2	1.72	2.56
10	10.00	254.0	18.00	457.2	1.87	2.79
12	12.00	304.8	24.00	609.6	2.02	3.01



Chain Width		Insert Length	
in	mm	in	mm
7.50	190.5	5.20	132.08
10.00	254.0	7.68	195.07
12.00	304.8	9.65	245.11

Available Materials

Prefix	Top Plate Material	Base Chain Material	Temperature						Chain Strength		FDA Approval
			Fahrenheit			Celsius			lbs	N	
			min	max		min	max				
			dry	wet	NR	dry	wet				
Standard Materials											
LF	Low Friction	Carbon Steel	-40	180	NR	-40	82	NR	1,000	4,448	No
Non-Standard Materials											
HP	High Performance	Stainless Steel	-40	180	150	-40	82	66	1,000	4,448	Yes

Regulatory Information

The Food and Drug Administration (FDA) accepts certain materials for direct food contact. FDA approved material is compliant to FDA 21 CFR § 177. Rexnord, TableTop and HP are trademarks of Rexnord Corporation. All rights reserved.

Additional Notes

Stocked in 160 pitch, 10 ft (3.048 m) length strands. Uses 63 carbon steel (S) base chain (Part #63-BC). Chain runs on ANSI No. 60 sprockets. Chain breakers available. 3.25 in (82.6 mm) and 4.50 in (114.3 mm) widths are available by cutting 7.50 in (190.5 mm) links. Thermoplastic pins are available upon request. Chain Load Ratings are listed at room temperature. NR = Not Recommended.

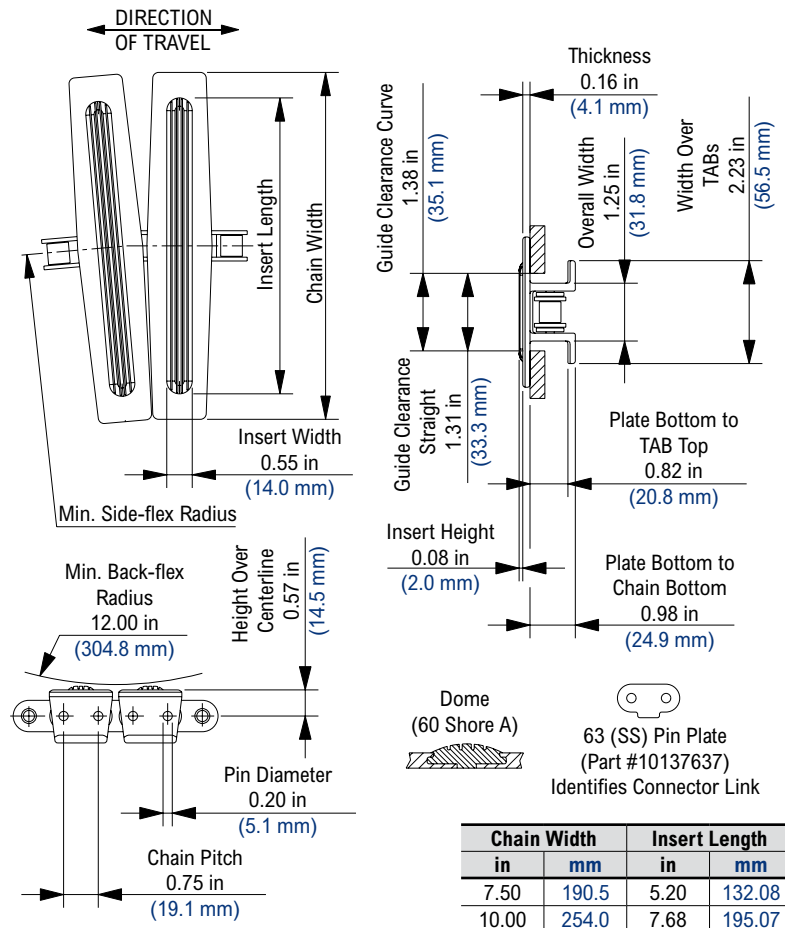


Part #SK12776

1873 TAB (SS) SuperGrip



Photo shows 1873 TAB SuperGrip TableTop Chain with High Friction Inserts and top plates molded in Low Friction (LF) material on Carbon Steel (S) base chain.



Chain Information

Chain Width desc	Chain Width		Min. Side-flex Radius		Approximate Weight	
	in	mm	in	mm	lbs/ft	kg/m
7 1/2	7.50	190.5	18.00	457.2	1.72	2.56
10	10.00	254.0	18.00	457.2	1.72	2.56
12	12.00	304.8	24.00	609.6	2.02	3.01

Available Materials

Prefix	Top Plate Material	Base Chain Material	Temperature						Chain Strength		FDA Approval
			Fahrenheit			Celsius					
			min	max		min	max		lbs	N	
			dry	wet		dry	wet				
Standard Materials											
LF	Low Friction	Stainless Steel	-40	180	150	-40	82	66	750	3,336	Yes
Non-Standard Materials											
HP	High Performance	Stainless Steel	-40	180	150	-40	82	66	750	3,336	Yes

Regulatory Information

The Food and Drug Administration (FDA) accepts certain materials for direct food contact. FDA approved material is compliant to FDA 21 CFR § 177. Rexnord and TableTop are trademarks of Rexnord Corporation. All rights reserved.

Additional Notes

Stocked in 160 pitch, 10 ft (3.048 m) length strands.
 Uses 63 stainless steel (SS) base chain (Part #63SS-BC).
 Chain runs on ANSI No. 60 sprockets.
 Chain breakers available.
 3.25 in (82.6 mm) and 4.50 in (114.3 mm) widths are available by cutting 7.50 in (190.5 mm) links.
 Chain strength is listed at room temperature.
 NR = Not Recommended.
 For additional material information, see material portfolio.



Part #SK12776

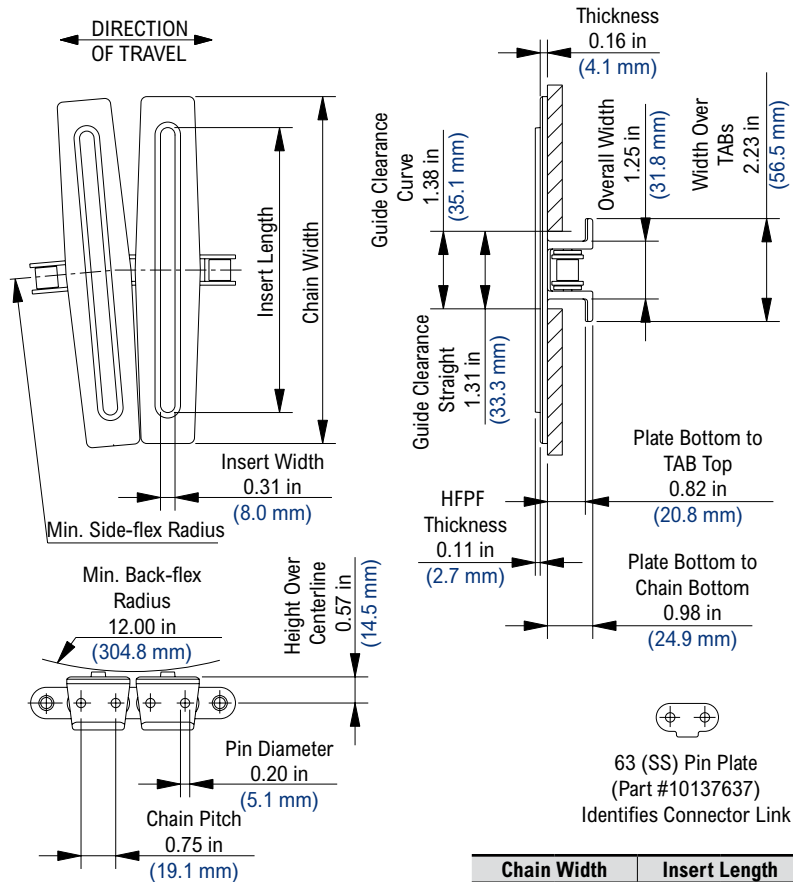
1873 TAB (SS) RubberTop



Photo shows 1873 TAB RubberTop TableTop Chain with High Friction Inserts and top plates molded in Low Friction (LF) material on Stainless Steel (SS) base chain.

Chain Information

Chain Width desc	Chain Width		Min. Side-flex Radius		Approximate Weight	
	in	mm	in	mm	lbs/ft	kg/m
7 1/2	7.50	190.5	18.00	457.2	1.72	2.56



Chain Width		Insert Length	
in	mm	in	mm
7.50	190.5	7.05	179.07

63 (SS) Pin Plate
(Part #10137637)
Identifies Connector Link

Available Materials

Prefix	Top Plate Material	Base Chain Material	Temperature						Chain Strength		FDA Approval
			Fahrenheit			Celsius					
			min	max		min	max		lbs	N	
Standard Materials											
LF	Low Friction	Stainless Steel	-40	180	150	-40	82	66	750	3,336	Yes
Non-Standard Materials											
HP	High Performance	Stainless Steel	-40	180	150	-40	82	66	750	3,336	Yes

Regulatory Information

The Food and Drug Administration (FDA) accepts certain materials for direct food contact. FDA approved material is compliant to FDA 21 CFR § 177. Rexnord and TableTop are trademarks of Rexnord Corporation. All rights reserved.

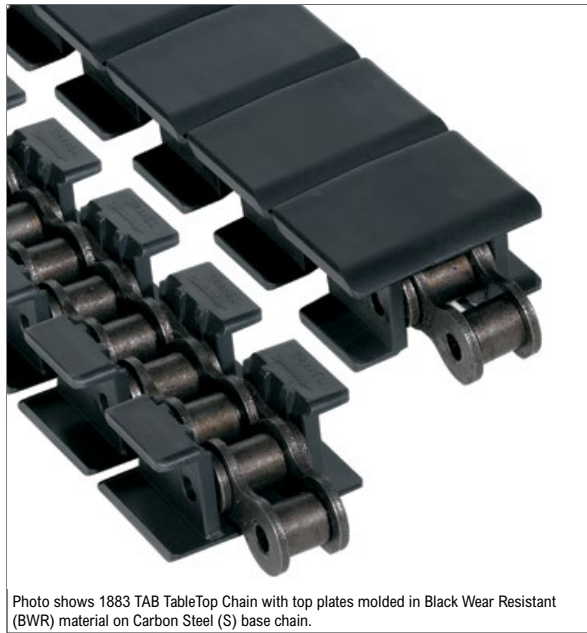
Additional Notes

Stocked in 160 pitch, 10 ft (3.048 m) length strands.
Uses 63 stainless steel (SS) base chain (Part #63SS-BC).
Chain runs on ANSI No. 60 sprockets.
Chain breakers available.
Chain strength is listed at room temperature.
NR = Not Recommended.
For additional material information, see material portfolio.



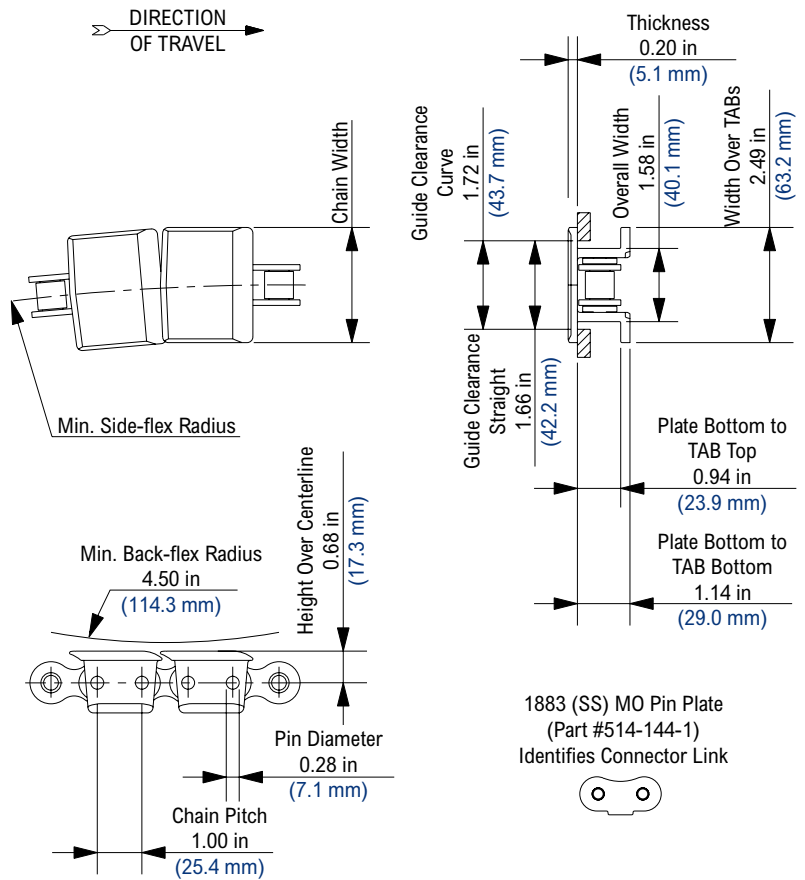
Part #SK12776

1883 TAB (S)



Chain Information

Chain Width desc	Chain Width		Min. Side-flex Radius		Approximate Weight	
	in	mm	in	mm	lbs/ft	kg/m
2 1/2	2.50	63.5	28.00	711.2	2.25	3.35
3 1/4	3.25	82.6	28.00	711.2	2.31	3.44



Available Materials

Prefix	Top Plate Material	Base Chain Material	Temperature						Chain Strength		FDA Approval
			Fahrenheit			Celsius					
			min	max		min	max				
				dry	wet		dry	wet			
Standard Materials											
BWR	Black Wear Resistant	Carbon Steel	-40	180	NR	-40	82	NR	2,390	10,631	No
LF	Low Friction	Carbon Steel	-40	180	NR	-40	82	NR	2,390	10,631	No

Regulatory Information

Rexnord and TableTop are trademarks of Rexnord Corporation. All rights reserved.

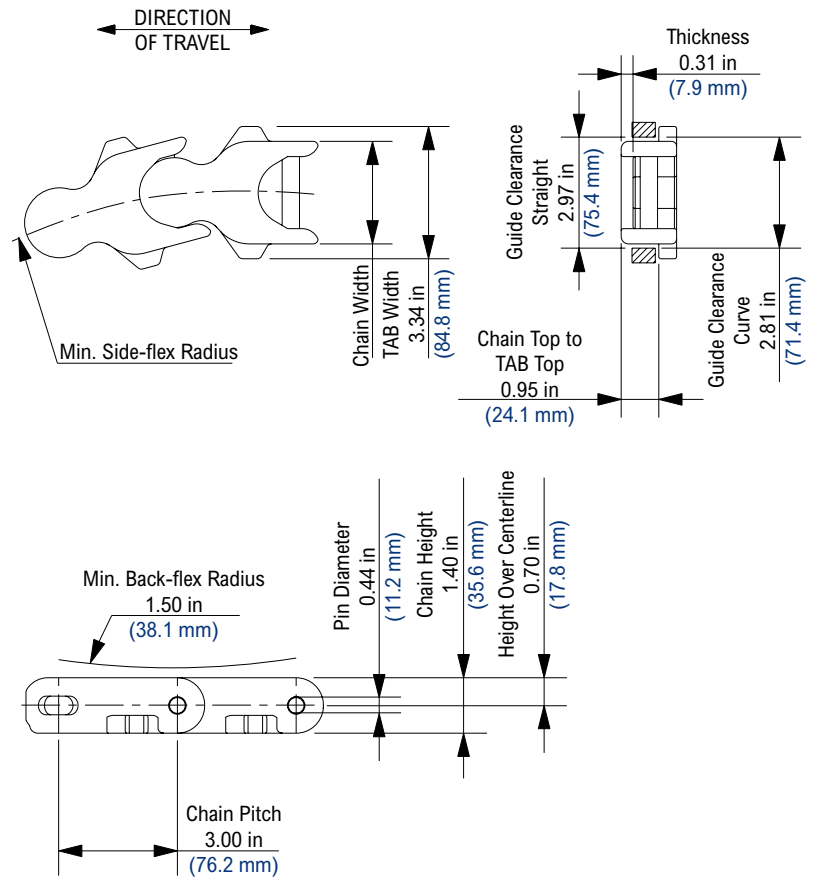
Additional Notes

- Non-Standard products are non-returnable. Minimum order quantity and additional setup charges may also apply.
- Stocked in 120 pitch, 10 ft (3.048 m) length strands.
- Uses 1883 carbon steel (S) base chain (Part #614-106-1).
- Chain runs on ANSI No. 80 sprockets.
- Chain strength is listed at room temperature. NR = Not Recommended.
- For additional material information, see material portfolio.

2500 TAB



Photo shows 2500 TAB chain, molded in Low Friction (LF) material.



Chain Information

Chain Width desc	Chain Width		Min. Side-flex Radius		Approximate Weight	
	in	mm	in	mm	lbs/ft	kg/m
N/A	2.63	66.8	9.50	241.3	1.80	2.68

Available Materials

Prefix	Chain Material	Standard Pin Material	Temperature						Chain Strength		FDA Approval
			Fahrenheit			Celsius					
			min	max		min	max		lbs	N	
			dry	wet		dry	wet				
Standard Materials											
LF	Low Friction	Stainless Steel	-40	180	150	-40	82	66	2,000	8,896	Yes
Non-Standard Materials											
BWR	Black Wear Resistant	Zinc-plated Carbon Steel	-40	180	NR	-40	82	NR	2,400	10,676	No

Regulatory Information

The Food and Drug Administration (FDA) accepts certain materials for direct food contact. FDA approved material is compliant to FDA 21 CFR § 177. Rexnord and TableTop are trademarks of Rexnord Corporation. All rights reserved.

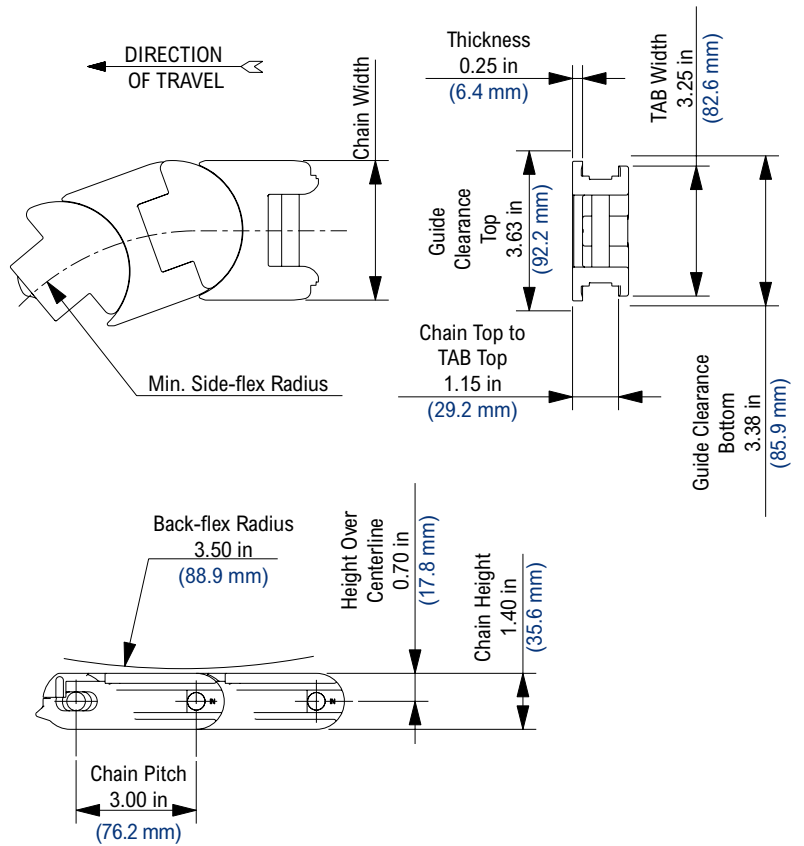
Additional Notes

Non-Standard products are non-returnable. Minimum order quantity and additional setup charges may also apply. Stocked in 40 pitch, 10 ft (3.048 m) length strands. Zinc plated carbon steel pins are available on a made-to-order basis. Pin material can be identified by pivot color; black pivots indicate stainless steel pins and tan pivots indicate zinc plated carbon steel pins. Chain strength is listed at room temperature. NR = Not Recommended. For additional material information, see material portfolio.

2565 ZeroGap



Photo shows 2565 TableTop Chain molded in Black Wear Resistant (BWR) material.



Chain Information

Chain Width desc	Chain Width		Min. Side-flex Radius		Approximate Weight	
	in	mm	in	mm	lbs/ft	kg/m
N/A	3.50	88.9	9.50	241.3	1.80	2.68

Available Materials

Prefix	Chain Material	Standard Pin Material	Temperature						Chain Strength		FDA Approval
			Fahrenheit			Celsius					
			min	max		min	max				
				dry	wet		dry	wet			
Standard Materials											
BWR	Black Wear Resistant	Stainless Steel	-40	180	NR	-40	82	NR	2,400	10,676	No
Non-Standard Materials											
HS	Heat Stabilized	Stainless Steel	-40	220	212	-40	104	100	2,400	10,676	No

Regulatory Information

The Food and Drug Administration (FDA) accepts certain materials for direct food contact. FDA approved material is compliant to FDA 21 CFR § 177. Rexnord and TableTop are trademarks of Rexnord Corporation. All rights reserved.

Additional Notes

Stocked in 40 pitch, 10 ft (3.048 m) length strands. Chain strength is listed at room temperature. NR = Not Recommended. For additional material information, see material portfolio.

3873 TAB (S)

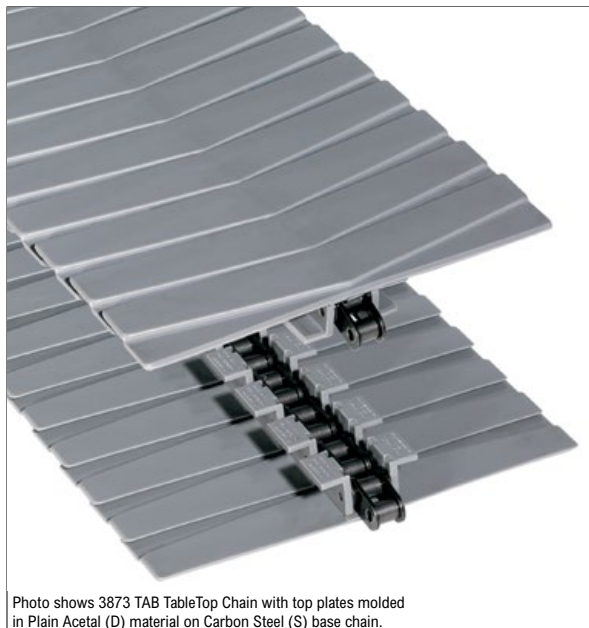
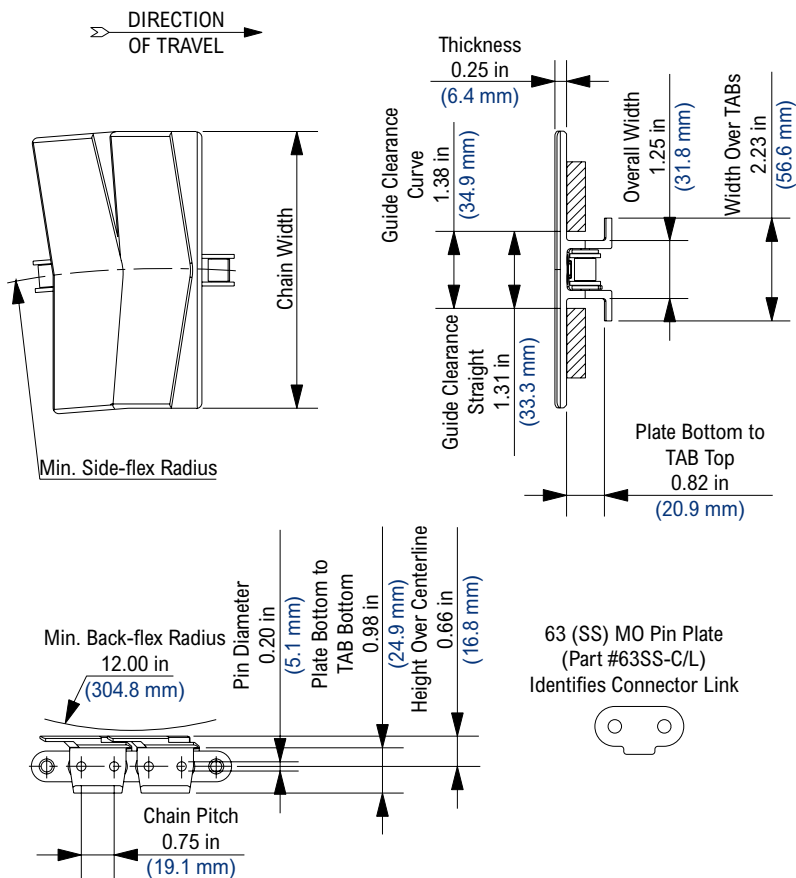


Photo shows 3873 TAB TableTop Chain with top plates molded in Plain Acetal (D) material on Carbon Steel (S) base chain.



Chain Information

desc	Chain Width		Min. Side-flex Radius		Approximate Weight	
	in	mm	in	mm	lbs/ft	kg/m
10	10.00	254.0	18.00	457.2	2.10	3.13
12	12.00	304.8	24.00	609.6	2.30	3.43

Available Materials

Prefix	Top Plate Material	Base Chain Material	Temperature						Chain Strength		FDA Approval
			Fahrenheit			Celsius			lbs	N	
			min	max		min	max				
Standard Materials											
D	Plain Acetal	Carbon Steel	-40	180	NR	-40	82	NR	1,000	4,448	Yes
LF	Low Friction	Carbon Steel	-40	180	NR	-40	82	NR	1,000	4,448	No
Non-Standard Materials											
W	White Alloy Plastic	Carbon Steel	0	180	NR	-18	82	NR	1,000	4,448	No

Regulatory Information

Rexnord and TableTop are trademarks of Rexnord Corporation.
All rights reserved.

Additional Notes

- Non-Standard products are non-returnable. Minimum order quantity and additional setup charges may also apply.
- Stocked in 160 pitch, 10 ft (3.048 m) length strands.
- Uses 63 carbon steel (S) base chain (Part #63-BC).
- Chain runs on ANSI No. 60 sprockets.
- The 12 in (304.8 mm) chain is only available in white alloy plastic (W) material which is the standard material.
- Chain breakers available.
- Chain strength is listed at room temperature.
- NR = Not Recommended.
- For additional material information, see material portfolio.



Part #SK12776

3873 TAB (SS)

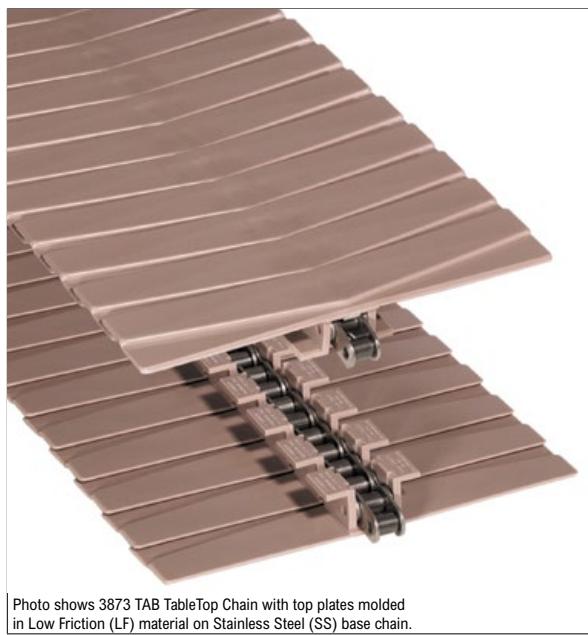
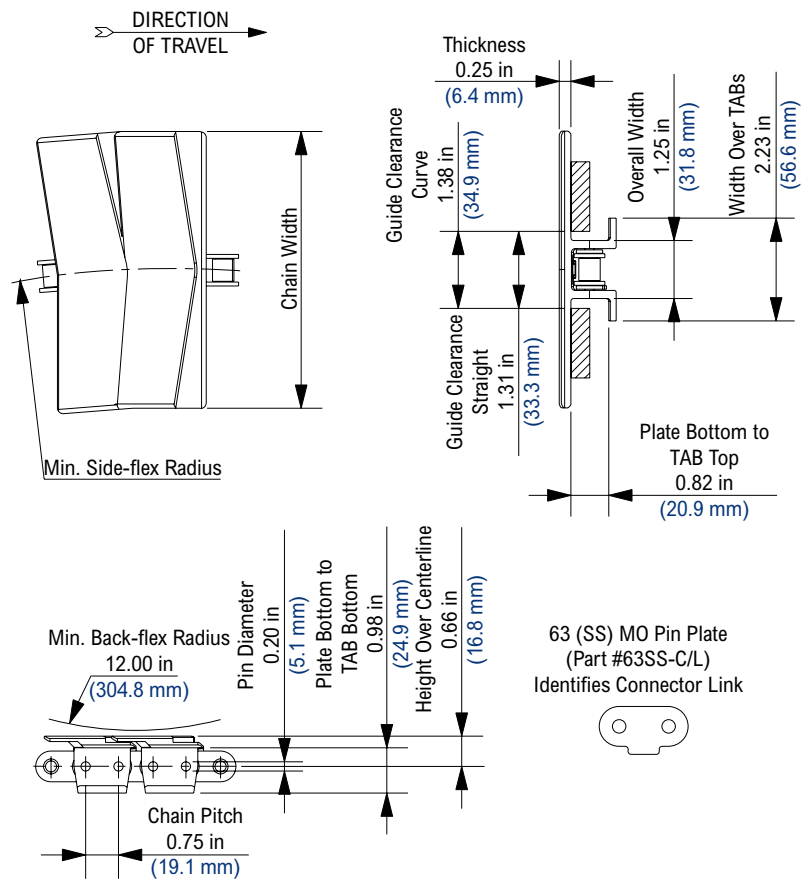


Photo shows 3873 TAB TableTop Chain with top plates molded in Low Friction (LF) material on Stainless Steel (SS) base chain.



Chain Information

Chain Width	Chain Width		Min. Side-flex Radius		Approximate Weight	
	desc	in	mm	in	mm	lbs/ft
10	10.00	254.0	18.00	457.2	2.10	3.13
12	12.00	304.8	24.00	609.6	2.30	3.43

Available Materials

Prefix	Top Plate Material	Base Chain Material	Temperature						Chain Strength		FDA Approval
			Fahrenheit			Celsius					
			min	max		min	max		lbs	N	
			dry	wet		dry	wet				
Standard Materials											
D	Plain Acetal	Stainless Steel	-40	180	150	-40	82	66	750	3,336	Yes
LF	Low Friction	Stainless Steel	-40	180	150	-40	82	66	750	3,336	Yes
Non-Standard Materials											
W	White Alloy Plastic	Stainless Steel	0	180	140	-18	82	60	750	3,336	No

Regulatory Information

The Food and Drug Administration (FDA) accepts certain materials for direct food contact. FDA approved material is compliant to FDA 21 CFR § 177. Rexnord and TableTop are trademarks of Rexnord Corporation. All rights reserved.

Additional Notes

Non-Standard products are non-returnable. Minimum order quantity and additional setup charges may also apply. Stocked in 160 pitch, 10 ft (3.048 m) length strands. Uses 63 stainless steel (SS) base chain (Part #63SS-BC). Chain runs on ANSI No. 60 sprockets. The 12 in (304.8 mm) chain is only available in white alloy plastic (W) material which is the standard material. Chain breakers available. Chain strength is listed at room temperature. NR = Not Recommended. For additional material information, see material portfolio.



Part #SK12776