

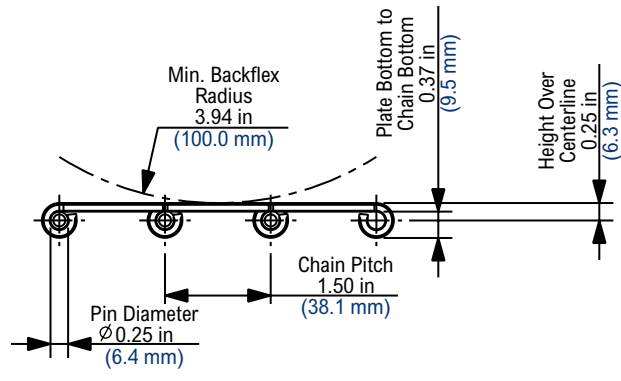
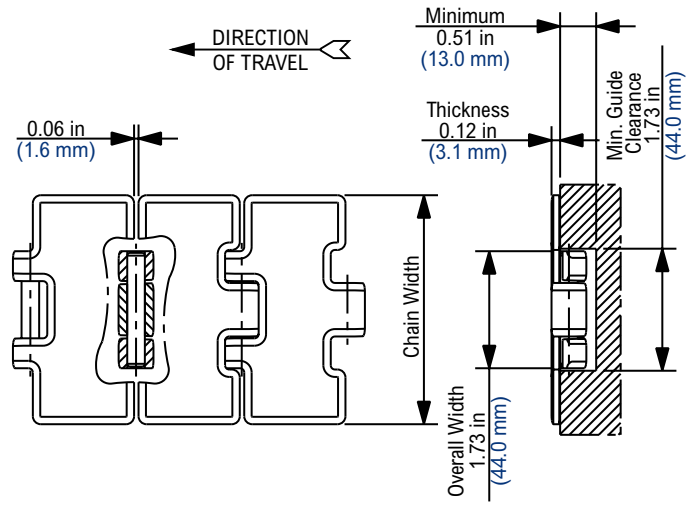
60 Straight



Photo shows 60S31XM TableTop Chain in 60 Series Stainless Steel material.

Chain Information

| Chain Width desc | Chain Width | | Min. Side-flex Radius | | Approximate Weight | |
|------------------|-------------|------|-----------------------|----|--------------------|------|
| | in | mm | in | mm | lbs/ft | kg/m |
| 3 1/4 | 3.25 | 82.6 | - | - | 1.84 | 2.74 |



Available Materials

| Prefix | Chain Material | Standard Pin Material | Temperature | | | | | | Chain Strength | | FDA Approval |
|---------------------------|---------------------------|-----------------------|-------------|-----|-----|---------|-----|-----|----------------|-------|--------------|
| | | | Fahrenheit | | | Celsius | | | | | |
| | | | min | max | | min | max | | lbs | N | |
| | | | | dry | wet | | dry | wet | | | |
| Standard Materials | | | | | | | | | | | |
| 60 | 60 Series Stainless Steel | Stainless Steel | -100 | 800 | 212 | -73 | 427 | 100 | 625 | 2,780 | Yes |

Regulatory Information

Based on the material chemistries, industry standards, and the documentation in the Federal Registry, it is the opinion of Rexnord that the TableTop stainless steel chains can be considered GRAS for direct food contact.

Rexnord and TableTop are trademarks of Rexnord Corporation.

All rights reserved.

Additional Notes

Stocked in 80 pitch, 10 ft (3.048 m) length strands.

Stainless steel is ferritic.

Chain strength is listed at room temperature. NR = Not Recommended.

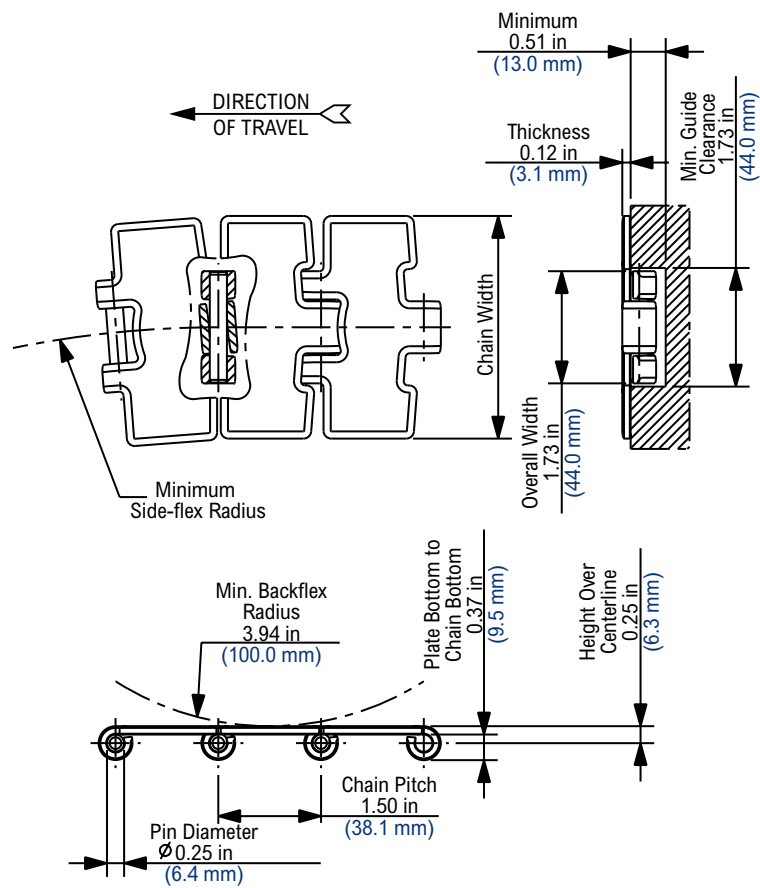
For additional material information, see material portfolio.

60S31XM is Part No. 10139394

60 Side-flexing



Photo shows 60M31XM TableTop Chain in 60 Series Stainless Steel material.



Chain Information

| Chain Width desc | Chain Width | | Min. Side-flex Radius | | Approximate Weight | |
|------------------|-------------|------|-----------------------|-------|--------------------|------|
| | in | mm | in | mm | lbs/ft | kg/m |
| 3 1/4 | 3.25 | 82.6 | 19.69 | 500.0 | 1.84 | 2.74 |

Available Materials

| Prefix | Chain Material | Standard Pin Material | Temperature | | | | | | Chain Strength | | FDA Approval |
|---------------------------|---------------------------|-----------------------|-------------|-----|-----|---------|-----|-----|----------------|-------|--------------|
| | | | Fahrenheit | | | Celsius | | | | | |
| | | | min | max | | min | max | | lbs | N | |
| | | | dry | wet | min | dry | wet | | | | |
| Standard Materials | | | | | | | | | | | |
| 60 | 60 Series Stainless Steel | Stainless Steel | -100 | 800 | 212 | -73 | 427 | 100 | 625 | 2,780 | Yes |

Regulatory Information

Based on the material chemistries, industry standards, and the documentation in the Federal Registry, it is the opinion of Rexnord that the Rexnord TableTop stainless steel chains can be considered GRAS for direct food contact.

Rexnord and TableTop are trademarks of Rexnord Corporation.

All rights reserved.

Additional Notes

Stocked in 80 pitch, 10 ft (3.048 m) length strands.

Stainless steel is ferritic.

Chain strength is listed at room temperature. NR = Not Recommended.

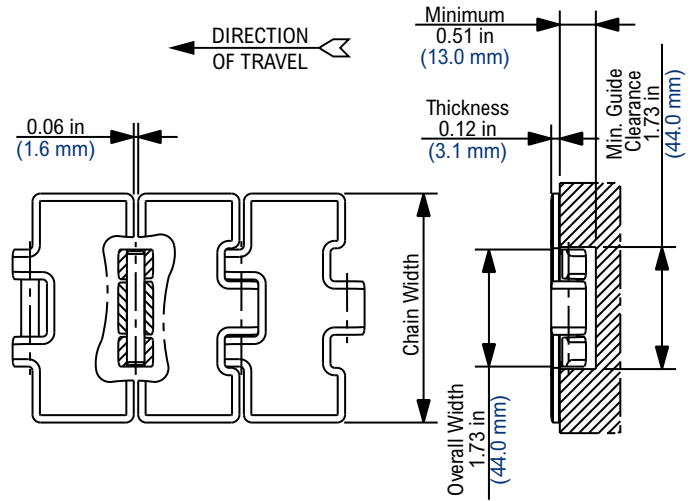
For additional material information, see material portfolio.

60M31XM is Part No. 10139438

66 Straight

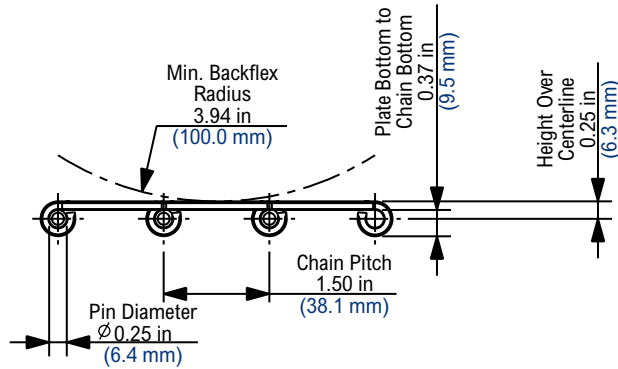


Photo shows 66S84XM TableTop Chain in 66 Series Stainless Steel material.



Chain Information

| Chain Width desc | Chain Width | | Min. Side-flex Radius | | Approximate Weight | |
|------------------|-------------|------|-----------------------|----|--------------------|------|
| | in | mm | in | mm | lbs/ft | kg/m |
| 3 1/4 | 3.25 | 82.6 | - | - | 1.84 | 2.74 |



Available Materials

| Prefix | Chain Material | Standard Pin Material | Temperature | | | | | | Chain Strength | | FDA Approval |
|---------------------------|---------------------------|-------------------------|-------------|-----|-----|---------|-----|-----|----------------|-------|--------------|
| | | | Fahrenheit | | | Celsius | | | | | |
| | | | min | max | | min | max | | lbs | N | |
| | | | | dry | wet | | dry | wet | | | |
| Standard Materials | | | | | | | | | | | |
| 66 | 66 Series Stainless Steel | Ultra Wear Resistant SS | -100 | 800 | 212 | -73 | 427 | 100 | 625 | 2,780 | Yes |

Regulatory Information

Based on the material chemistries, industry standards, and the documentation in the Federal Registry, it is the opinion of Rexnord that the Rexnord TableTop stainless steel chains can be considered GRAS for direct food contact.

Rexnord and TableTop are trademarks of Rexnord Corporation.

All rights reserved.

Additional Notes

Stocked in 80 pitch, 10 ft (3.048 m) length strands.

Stainless steel is ferritic.

Chain strength is listed at room temperature. NR = Not Recommended.

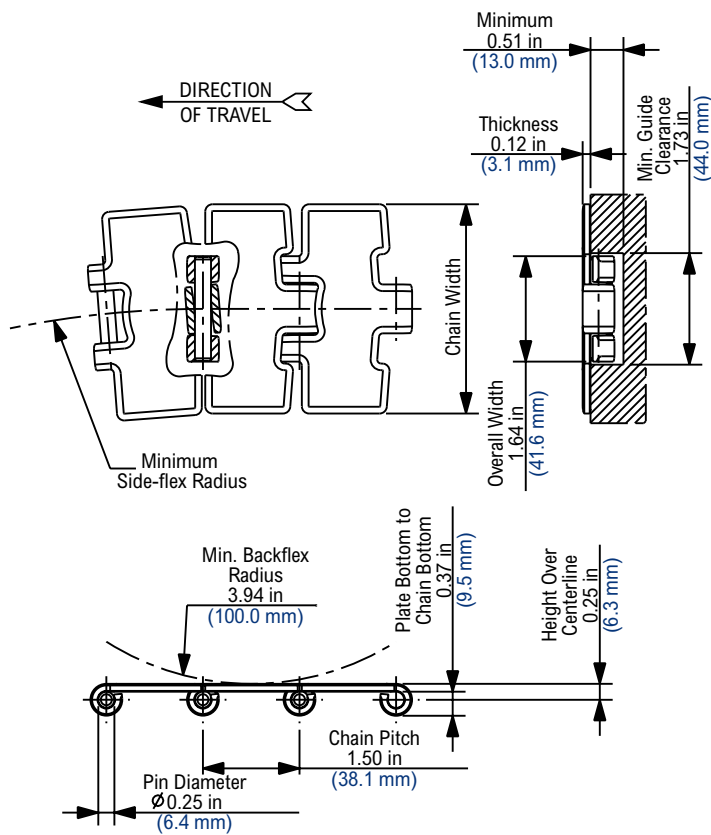
For additional material information, see material portfolio.

66S31XM XHB is Part No. 10139367

66 Side-flexing



Photo shows 66M31XHB TableTop Chain in 66 Series Stainless Steel material.



Chain Information

| Chain Width | | Min. Side-flex Radius | | Approximate Weight | | |
|-------------|------|-----------------------|-------|--------------------|--------|------|
| desc | in | mm | in | mm | lbs/ft | kg/m |
| 3 1/4 | 3.25 | 82.6 | 19.69 | 500.0 | 1.84 | 2.74 |

Available Materials

| Prefix | Chain Material | Standard Pin Material | Temperature | | | | | | Chain Strength | | FDA Approval |
|---------------------------|---------------------------|-------------------------|-------------|-----|-----|---------|-----|-----|----------------|-------|--------------|
| | | | Fahrenheit | | | Celsius | | | | | |
| | | | min | max | | min | max | | lbs | N | |
| | | | dry | wet | | dry | wet | | | | |
| Standard Materials | | | | | | | | | | | |
| 66 | 66 Series Stainless Steel | Ultra Wear Resistant SS | -100 | 800 | 212 | -73 | 427 | 100 | 625 | 2,780 | Yes |

Regulatory Information

Based on the material chemistries, industry standards, and the documentation in the Federal Registry, it is the opinion of Rexnord that the Rexnord TableTop stainless steel chains can be considered GRAS for direct food contact.

Rexnord, RubberTop and TableTop are trademarks of Rexnord Corporation.

All rights reserved.

U.S. Patents: 7097032, 7243783

Additional Notes

Stocked in 80 pitch, 10 ft (3.048 m) length strands.

Stainless steel is ferritic.

Chain strength is listed at room temperature. NR = Not Recommended.

For additional material information, see material portfolio.

66M31XM XHB is Part No. 10139430

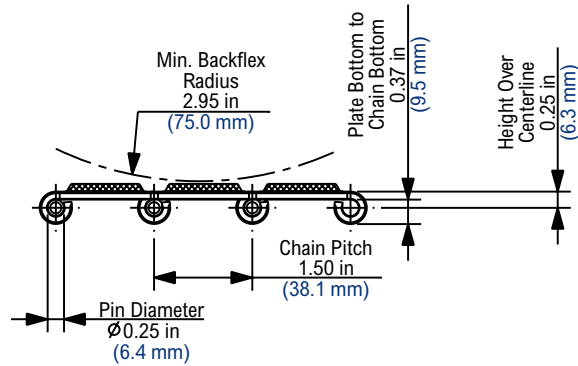
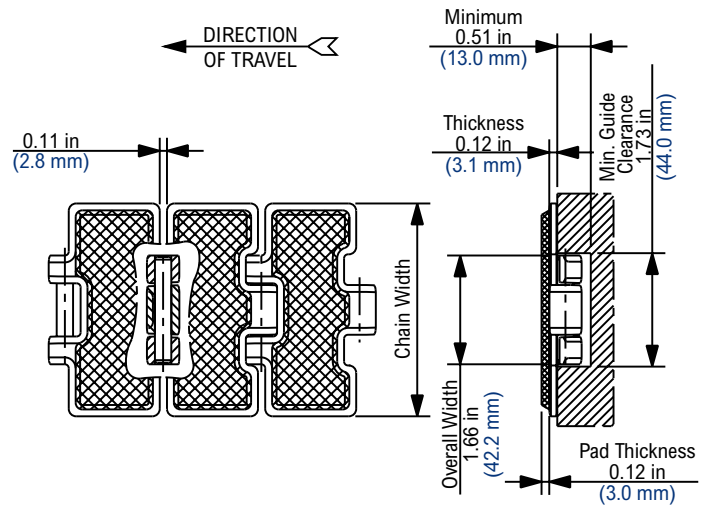
66 RubberTop



Photo shows 66S31R TableTop Chain in 66 Series Stainless Steel material.

Chain Information

| Chain Width desc | Chain Width | | Min. Side-flex Radius | | Approximate Weight | |
|------------------|-------------|------|-----------------------|----|--------------------|------|
| | in | mm | in | mm | lbs/ft | kg/m |
| 33 1/4 | 3.25 | 82.6 | - | - | 1.88 | 2.80 |



Available Materials

| Prefix | Chain Material | Standard Pin Material | Temperature | | | | | | Chain Strength | | FDA Approval |
|---------------------------|---|-------------------------|-------------|-----|----|---------|-----|----|----------------|-------|--------------|
| | | | Fahrenheit | | | Celsius | | | lbs | N | |
| | | | min | max | | min | max | | | | |
| | | | dry | wet | NR | dry | wet | | | | |
| Standard Materials | | | | | | | | | | | |
| 66 | 66 Series Stainless Steel with Rubber Top | Ultra Wear Resistant SS | 5 | 176 | NR | -15 | 80 | NR | 625 | 2,780 | No |

Regulatory Information

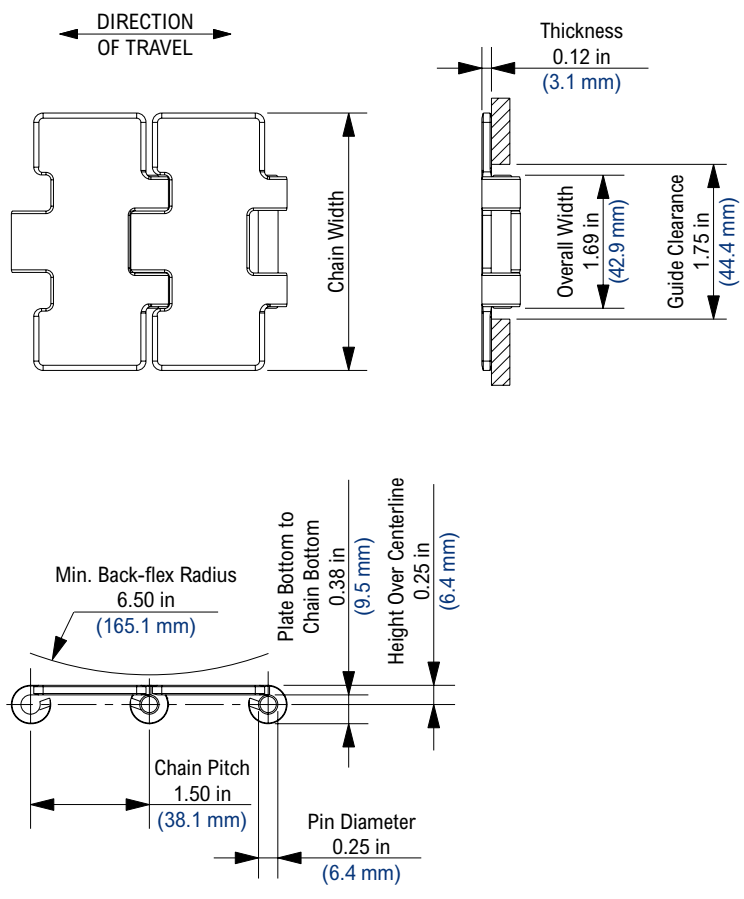
Rexnord, RubberTop and TableTop are trademarks of Rexnord Corporation.
 All rights reserved.
 U.S. Patents: 7097032, 7243783

Additional Notes

Stocked in 80 pitch, 10 ft (3.048 m) length strands.
 Stainless steel is ferritic.
 Chain strength is listed at room temperature. NR = Not Recommended.
 For additional material information, see material portfolio.
 66S31XM XHB is Part No. 10139365



Photo shows 815 TableTop Chain in Stainless Steel (SS) material.



Chain Information

| Chain Width desc | Chain Width | | Min. Side-flex Radius | | Approximate Weight | |
|------------------|-------------|-------|-----------------------|----|--------------------|------|
| | in | mm | in | mm | lbs/ft | kg/m |
| 2 1/4 | 2.25 | 57.2 | - | - | 1.43 | 2.13 |
| 2 5/8 | 2.63 | 66.7 | - | - | 1.60 | 2.38 |
| 3 1/4 | 3.25 | 82.6 | - | - | 1.84 | 2.74 |
| 4 | 4.00 | 101.6 | - | - | 2.14 | 3.19 |
| 4 1/2 | 4.50 | 114.3 | - | - | 2.34 | 3.49 |
| 6 | 6.00 | 152.4 | - | - | 2.94 | 4.38 |
| 7 1/2 | 7.50 | 190.5 | - | - | 3.54 | 5.27 |

Available Materials

| Prefix | Chain Material | Standard Pin Material | Temperature | | | | | | Chain Strength | | FDA Approval |
|-------------------------------|------------------------------|-----------------------|-------------|-----|-----|---------|-----|-----|----------------|-------|--------------|
| | | | Fahrenheit | | | Celsius | | | | | |
| | | | min | max | | min | max | | lbs | N | |
| | | | dry | wet | | dry | wet | | | | |
| Standard Materials | | | | | | | | | | | |
| S | Carbon Steel | Carbon Steel | -40 | 350 | NR | -40 | 177 | NR | 625 | 2,780 | No |
| SS | Stainless Steel | Stainless Steel | -100 | 800 | 212 | -73 | 427 | 100 | 625 | 2,780 | Yes |
| Non-Standard Materials | | | | | | | | | | | |
| SSB | Stainless Steel Low Magnetic | Stainless Steel | -100 | 800 | 212 | -73 | 427 | 100 | 625 | 2,780 | Yes |

Regulatory Information

Based on the material chemistries, industry standards, and the documentation in the Federal Registry, it is the opinion of Rexnord that the Rexnord TableTop stainless steel chains can be considered GRAS for direct food contact. Rexnord and TableTop are trademarks of Rexnord Corporation. All rights reserved.

Additional Notes

Non-Standard products are non-returnable. Minimum order quantity and additional setup charges may also apply. Stocked in 80 pitch, 10 ft (3.048 m) length strands. Stainless steel is austenitic. Chain strength is listed at room temperature. NR = Not Recommended. For additional material information, see material portfolio.

815 TAB

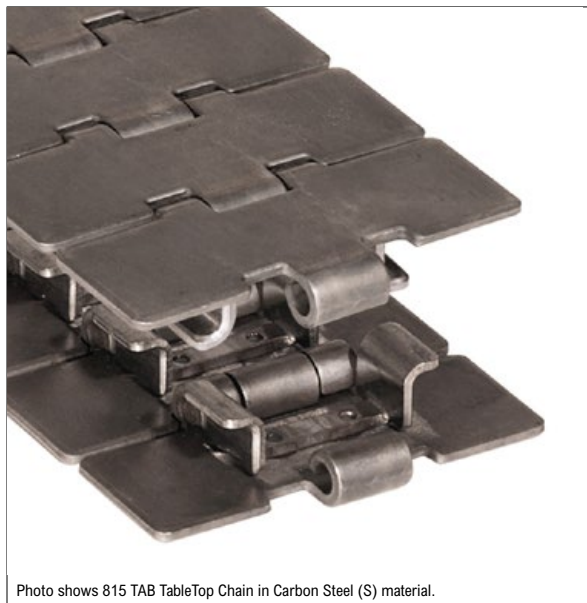
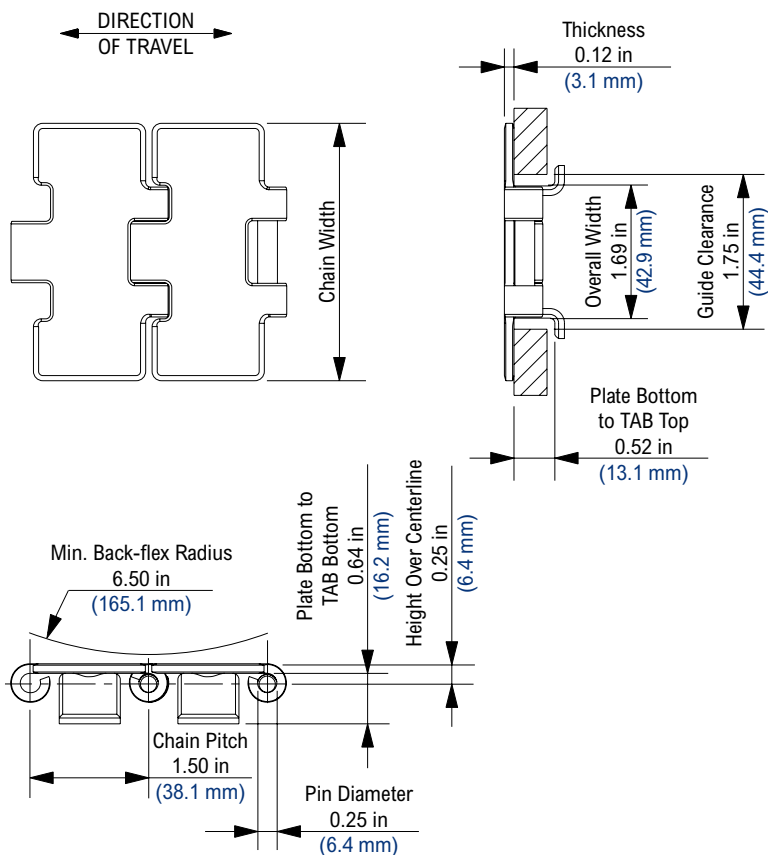


Photo shows 815 TAB TableTop Chain in Carbon Steel (S) material.



Chain Information

| Chain Width | Min. Side-flex Radius | | Approximate Weight | | |
|-------------|-----------------------|-------|--------------------|--------|------|
| | desc | in | mm | lbs/ft | kg/m |
| 3 1/4 | 3.25 | 82.6 | - | 2.12 | 3.16 |
| 4 1/2 | 4.50 | 114.3 | - | 2.62 | 3.90 |
| 7 1/2 | 7.50 | 190.5 | - | 3.82 | 5.69 |

Available Materials

| Prefix | Chain Material | Standard Pin Material | Temperature | | | | | | Chain Strength | | FDA Approval |
|-------------------------------|-----------------|-----------------------|-------------|-----|-----|---------|-----|-----|----------------|-------|--------------|
| | | | Fahrenheit | | | Celsius | | | lbs | N | |
| | | | min | max | | min | max | | | | |
| Non-Standard Materials | | | | | | | | | | | |
| S | Carbon Steel | Carbon Steel | -40 | 350 | NR | -40 | 177 | NR | 625 | 2,780 | No |
| SS | Stainless Steel | Stainless Steel | -100 | 800 | 212 | -73 | 427 | 100 | 625 | 2,780 | Yes |

Regulatory Information

Based on the material chemistries, industry standards, and the documentation in the Federal Registry, it is the opinion of Rexnord that the Rexnord TableTop stainless steel chains can be considered GRAS for direct food contact.

Rexnord and TableTop are trademarks of Rexnord Corporation.

All rights reserved.

Additional Notes

Non-Standard products are non-returnable. Minimum order quantity and additional setup charges may also apply.

Stocked in 80 pitch, 10 ft (3.048 m) length strands.

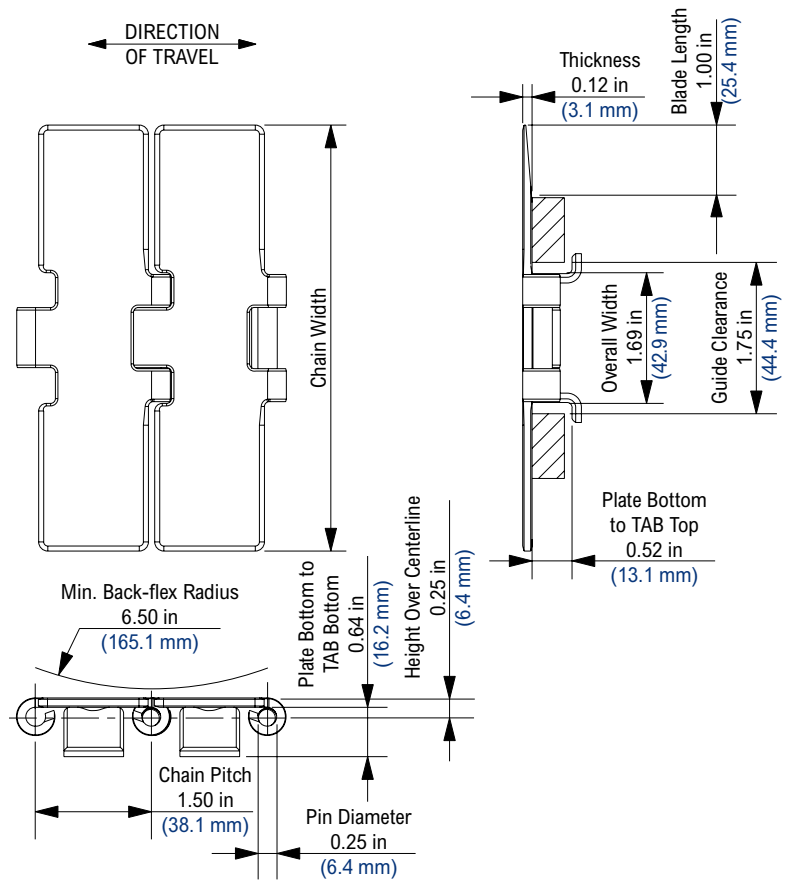
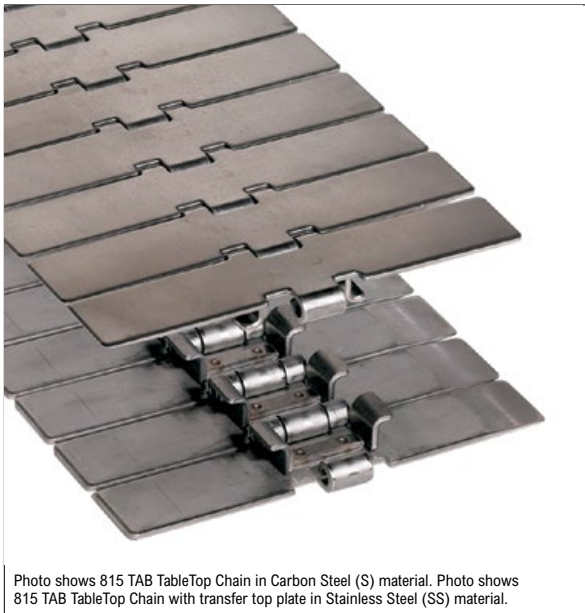
Stainless steel is austenitic.

Rexnord 815 TAB TableTop Chain utilizes 881 series sprockets only.

Chain strength is listed at room temperature. NR = Not Recommended.

For additional material information, see material portfolio.

815 TAB Transfer



Chain Information

| Chain Width | | Min. Side-flex Radius | | Approximate Weight | | |
|-------------|------|-----------------------|----|--------------------|--------|------|
| desc | in | mm | in | mm | lbs/ft | kg/m |
| 7 1/2 | 7.50 | 190.5 | - | - | 3.75 | 5.59 |

Available Materials

| Prefix | Chain Material | Standard Pin Material | Temperature | | | | | | Chain Strength | | FDA Approval |
|-------------------------------|-----------------|-----------------------|-------------|-----|-----|---------|-----|-----|----------------|-------|--------------|
| | | | Fahrenheit | | | Celsius | | | | | |
| | | | min | max | | min | max | | lbs | N | |
| | | | dry | wet | | dry | wet | | | | |
| Non-Standard Materials | | | | | | | | | | | |
| SS | Stainless Steel | Stainless Steel | -100 | 800 | 212 | -73 | 427 | 100 | 625 | 2,780 | Yes |

Regulatory Information

Based on the material chemistries, industry standards, and the documentation in the Federal Registry, it is the opinion of Rexnord that the Rexnord TableTop stainless steel chains can be considered GRAS for direct food contact.

Rexnord and TableTop are trademarks of Rexnord Corporation.

All rights reserved.

Additional Notes

Non-Standard products are non-returnable. Minimum order quantity and additional setup charges may also apply.

Stocked in 80 pitch, 10 ft (3.048 m) length strands.

Stainless steel is austenitic.

Rexnord 815 TAB TableTop Chain with Transfer Top Plate utilizes 881 series sprockets only.

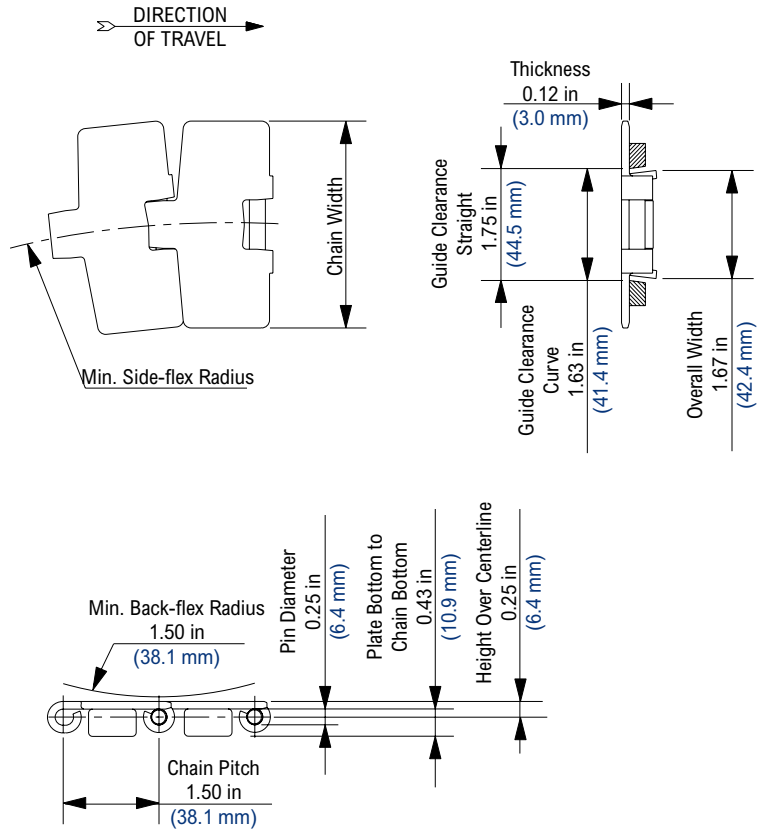
Chain strength is listed at room temperature. NR = Not Recommended

For additional material information, see material portfolio.

881 B



Photo shows 881 B TableTop Chain made from Carbon Steel (S) material.



Chain Information

| desc | Chain Width | | Min. Side-flex Radius | | Approximate Weight | |
|-------|-------------|-------|-----------------------|-------|--------------------|------|
| | in | mm | in | mm | lbs/ft | kg/m |
| 3 1/4 | 3.25 | 82.6 | 18.00 | 457.2 | 2.00 | 2.98 |
| 4 1/2 | 4.50 | 114.3 | 24.00 | 609.6 | 2.50 | 3.73 |
| 7 1/2 | 7.50 | 190.5 | 24.00 | 609.6 | 3.70 | 5.51 |

Available Materials

| Prefix | Chain Material | Standard Pin Material | Temperature | | | | | | Chain Strength | | FDA Approval |
|---------------------------|-----------------|-----------------------|-------------|-----|-----|---------|-----|-----|----------------|-------|--------------|
| | | | Fahrenheit | | | Celsius | | | | | |
| | | | min | max | | min | max | | lbs | N | |
| Standard Materials | | | | | | | | | | | |
| S | Carbon Steel | Carbon Steel | -40 | 350 | NR | -40 | 177 | NR | 625 | 2,780 | No |
| SS | Stainless Steel | Stainless Steel | -100 | 800 | 212 | -73 | 427 | 100 | 625 | 2,780 | Yes |

Regulatory Information

Based on the material chemistries, industry standards, and the documentation in the Federal Registry, it is the opinion of Rexnord that the Rexnord TableTop stainless steel chains can be considered GRAS for direct food contact.

Rexnord and TableTop are trademarks of Rexnord Corporation.

All rights reserved.

Additional Notes

Stocked in 80 pitch, 10 ft (3.048 m) length strands.

Stainless steel is austenitic.

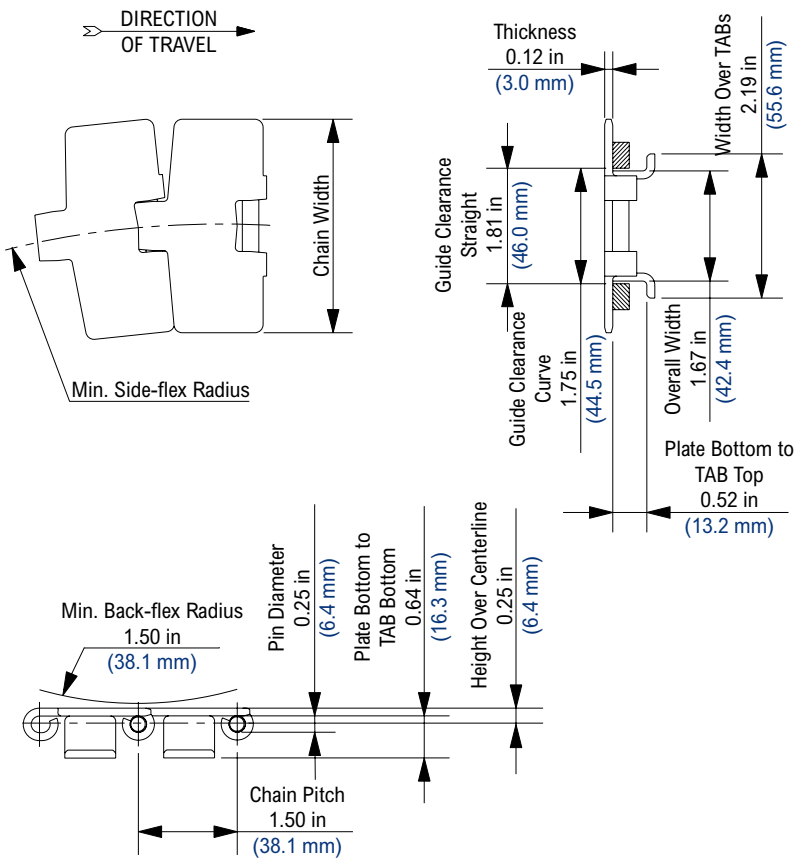
Chain strength is listed at room temperature. NR = Not Recommended.

For additional material information, see material portfolio.

881 TAB



Photo shows 881 TAB TableTop Chain made from Stainless Steel (SS) material.



Chain Information

| Chain Width desc | Chain Width | | Min. Side-flex Radius | | Approximate Weight | |
|------------------|-------------|-------|-----------------------|-------|--------------------|------|
| | in | mm | in | mm | lbs/ft | kg/m |
| 3 1/4 | 3.25 | 82.6 | 18.00 | 457.2 | 2.00 | 2.98 |
| 4 1/2 | 4.50 | 114.3 | 24.00 | 609.6 | 2.50 | 3.73 |
| 7 1/2 | 7.50 | 190.5 | 24.00 | 609.6 | 3.70 | 5.51 |

Available Materials

| Prefix | Chain Material | Standard Pin Material | Temperature | | | | | | Chain Strength | | FDA Approval |
|---------------------------|-----------------|-----------------------|-------------|-----|-----|---------|-----|-----|----------------|-------|--------------|
| | | | Fahrenheit | | | Celsius | | | | | |
| | | | min | max | | min | max | | | | |
| | | | | dry | wet | | dry | wet | | | |
| Standard Materials | | | | | | | | | | | |
| S | Carbon Steel | Carbon Steel | -40 | 350 | NR | -40 | 177 | NR | 625 | 2,780 | No |
| SS | Stainless Steel | Stainless Steel | -100 | 800 | 212 | -73 | 427 | 100 | 625 | 2,780 | Yes |

Regulatory Information

Based on the material chemistries, industry standards, and the documentation in the Federal Registry, it is the opinion of Rexnord that the Rexnord TableTop stainless steel chains can be considered GRAS for direct food contact. Rexnord and TableTop are trademarks of Rexnord Corporation. All rights reserved.

Additional Notes

Stocked in 80 pitch, 10 ft (3.048 m) length strands. Stainless steel is austenitic. Chain strength is listed at room temperature. NR = Not Recommended. For additional material information, see material portfolio.

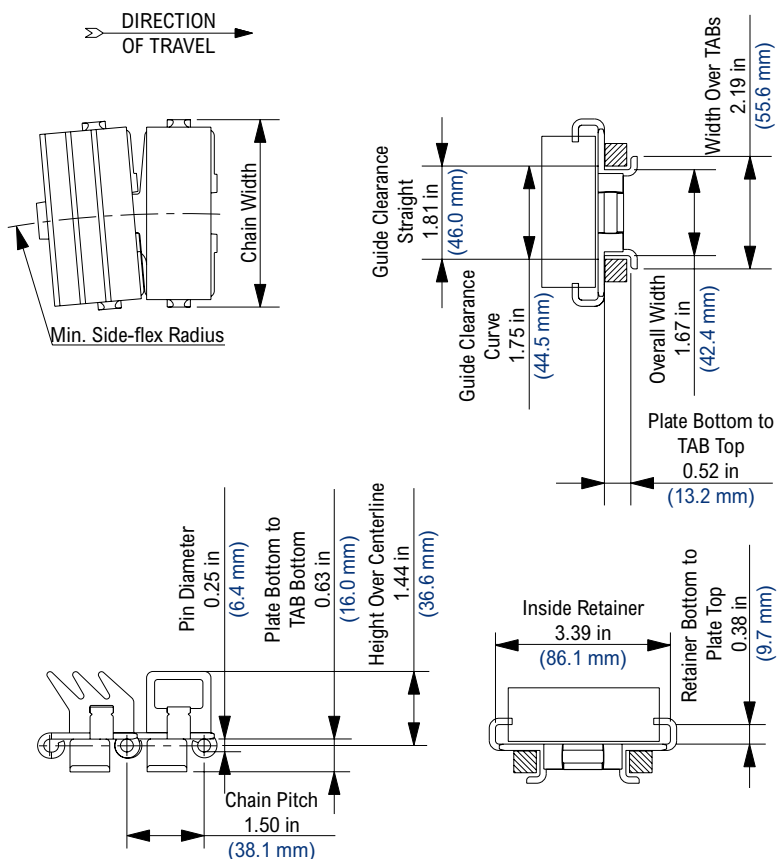
881 TAB G



Photo shows 881 TAB G TableTop Chain with Gripper Retainers in Stainless Steel (SS) material.

Chain Information

| desc | Chain Width | | Min. Side-flex Radius | | Approximate Weight | |
|-------|-------------|------|-----------------------|-------|--------------------|------|
| | in | mm | in | mm | lbs/ft | kg/m |
| 3 5/8 | 3.63 | 92.1 | 18.00 | 457.2 | 3.75 | 5.59 |



Available Materials

| Prefix | Chain Material | Standard Pin Material | Temperature | | | | | | Chain Strength | | FDA Approval |
|---------------------------|-----------------|-----------------------|-------------|-----|-----|---------|-----|-----|----------------|-------|--------------|
| | | | Fahrenheit | | | Celsius | | | lbs | N | |
| | | | min | max | | min | max | | | | |
| Standard Materials | | | | | | | | | | | |
| SS | Stainless Steel | Stainless Steel | -100 | 800 | 212 | -73 | 427 | 100 | 625 | 2,780 | Yes |

Regulatory Information

Based on the material chemistries, industry standards, and the documentation in the Federal Registry, it is the opinion of Rexnord that the Rexnord TableTop stainless steel chains can be considered GRAS for direct food contact.

Rexnord and TableTop are trademarks of Rexnord Corporation.

All rights reserved.

Additional Notes

Stocked in 80 pitch, 10 ft (3.048 m) length strands.

Stainless steel is austenitic.

Can be assembled with "J" or "D" style gripper attachments.

Chain strength is listed at room temperature. NR = Not Recommended.

For additional material information, see material portfolio.